

DF40T/DF40GT Series

0.4mm Pitch, 3.38mm Depth, 125°C Heat Resistance, Board-to-Board Connector for Automotive



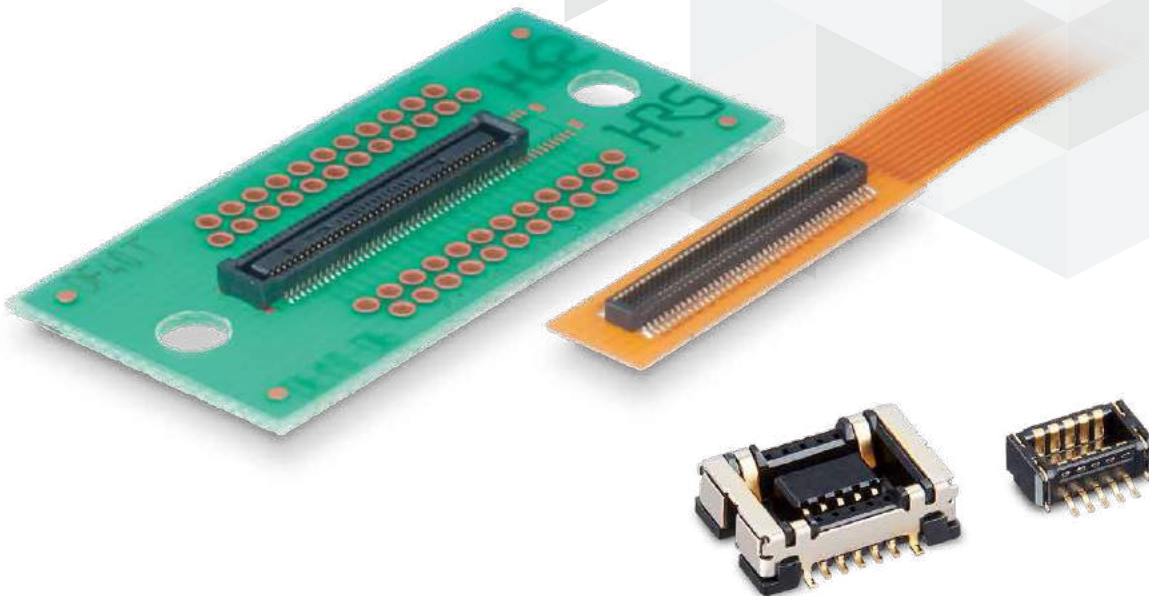
High Temp



Wide Variation



Compact



Features

1. Space-saving Design and Wide Variations

The space-saving design with 0.4mm pitch and 3.38mm depth, a wide variety of number of pos. and height variation (1.5, 2.0, 2.5, 3.0, 3.5, 4.0mm).

(Note)

MP : Mass Production

UP : Under Planning

Stacking Height (mm)	1.5	2.0	2.5	3.0	3.5	4.0
10pos.	MP	—	—	—	—	—
20pos.	UP	UP	MP	MP	MP	MP
30pos.	MP	UP	MP	MP	MP	MP
34pos.	MP	—	—	—	—	—
40pos.	MP	UP	UP	MP	MP	MP
50pos.	MP	—	MP	—	—	MP
120pos.	MP	—	—	—	—	—

2. 125°C Heat Resistant Contact Design

Design and Materials for Heat Resistance, Stable Contact Resistance

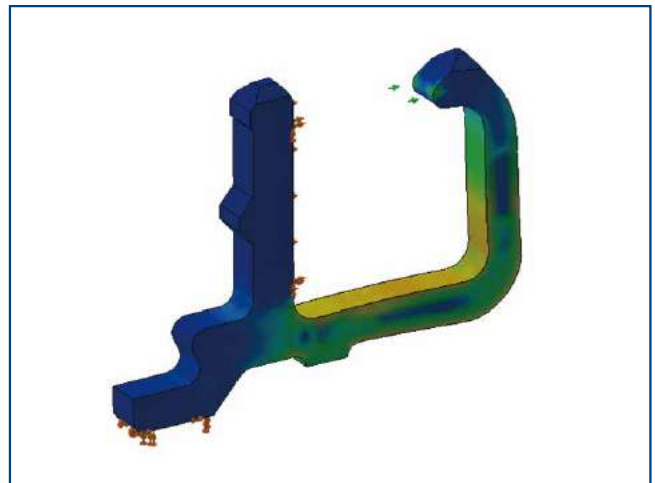
Heat resistance test 125°C after 1,000h

Contact resistance AVG : Initial 19.05 → after 1,000h 18.62mΩ

Temperature cycle test -55 to 125°C after 1,000 cycles

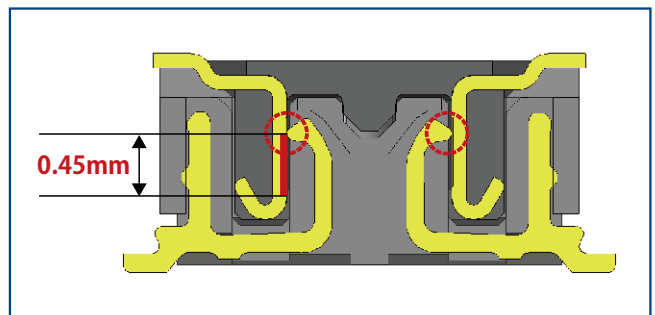
Contact resistance AVG :

Initial 19.76 → after 1,000 cycles 20.05mΩ



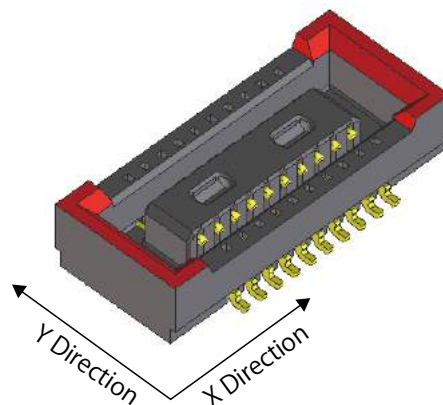
3. World Longest Class Effective Mating Length

Stable connection with the world's largest effective mating length realization

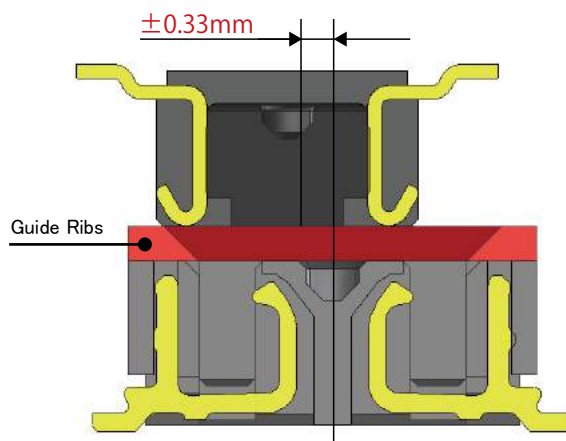


4. Guide Ribs for Wide Self Alignment Range

Self Alignment Range:
 $\pm 0.33\text{mm}$ in X and Y Directions
 Achieves smooth Mating Operation



Broaden the range of self alignment during mating, efficiently using dead space.

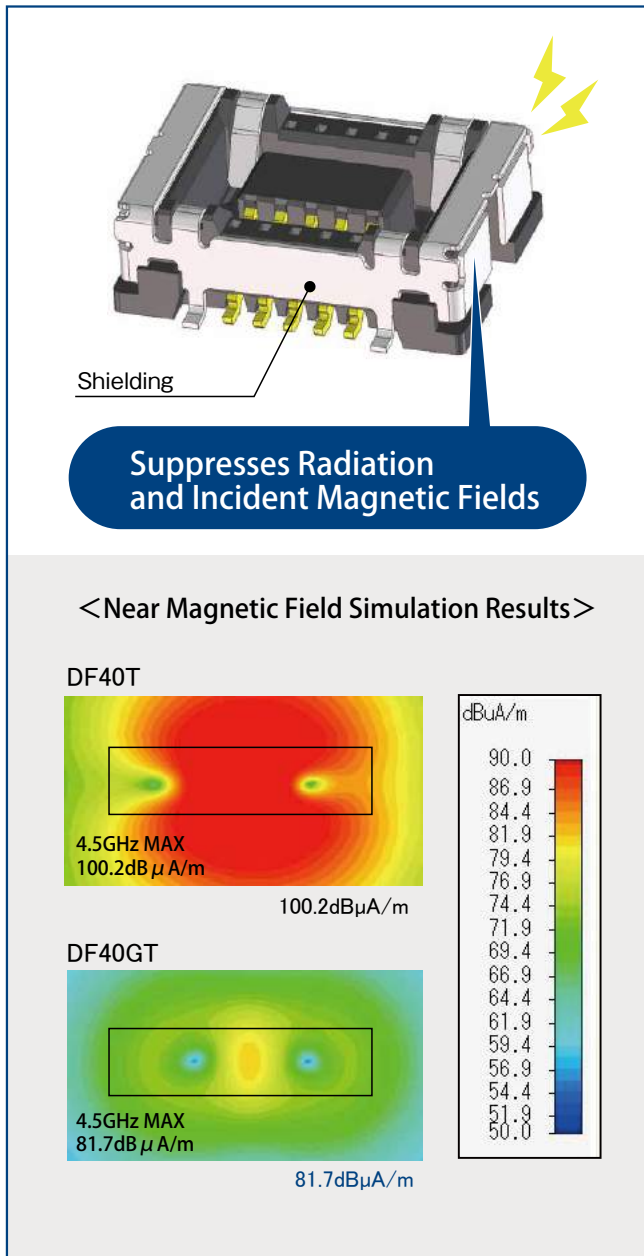


5. Satisfies PCI Express 4.0 (16Gbps)

All DF40T series is applicable to the PCI Express 4.0 transmission.

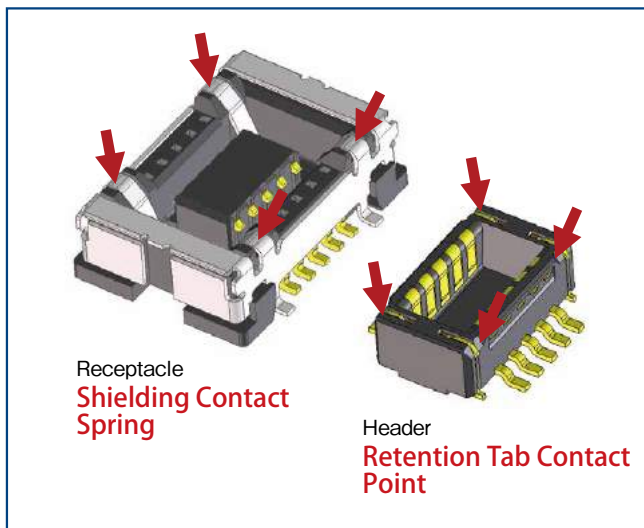
6. Metal Shielding for Superior EMI [DF40GT]

EMI prevention by shield plate on receptacle side.
Magnetic Field Reduced by 18.5dB $\mu A/m$ with Shield Plate



7. Reliable Ground Design [DF40GT]

The contact area between the shield plate and the retention tab placed at the four corners strengthens grounding.



Ground connection on dead space

Applications

It can be used as a FPC-to-Board connector inside in-vehicle applications such as cameras, millimeter-wave radar, and LiDAR.

Product Specifications

Rated Current	0.3A	Operating Temperature (Note 1)	-55 to +125°C
Rated Voltage	30V AC/DC	Storage Temperature (Note 2)	-10 to +60°C

Item	Specifications	Conditions
Contact Resistance	90m Ω Max.	Measured at 20mV AC, 1kHz, 1mA
Insulation Resistance	50M Ω Min.	Measured at 100V DC
Withstand Voltage	No Flashover or Breakdown	100V AC for 1 min.
Mating Durability	Contact Resistance : 90m Ω Max. No damage, cracks or part dislocation.	10 times
Vibration Resistance	There should be no electrical interruption of 1 μ s Min. No damage, cracks or part dislocation.	Frequency 10 to 500Hz, Acceleration 49m/s ² Swept speed 1oct/min 8 hours each of 3-axis direction
Heat Resistance	Contact Resistance : 90m Ω Max. No damage, cracks or part dislocation.	Left for 1000 hours at Temperature 125 ± 2°C
Moisture Resistance	Contact Resistance : 90m Ω Max. Insulation Resistance : 25M Ω Min. No damage, cracks or part dislocation.	Temperature -10 → +65°C , RH In 90 - 96% Left for 10 cycles (240 hours)
Temperature Cycles	Contact Resistance : 90m Ω Max. No damage, cracks or part dislocation.	Temperature -55°C : 30min. → +125°C : 30min., 1000 cycles (Tank transfer time : 2 to 3min.)
Solder Heat Resistance	No deformation in appearance or significant damage to contacts.	Reflow : According to the Recommended Temperature Profile Hand Soldering : 350°C within 3 sec.

Note 1 : Includes the temperature rise due to current flow.

Note 2 : Use without condensation.

Note 3 : Storage refers to long-term storage of unused items before they are mounted on the PCB.

Operating temperature and humidity range apply when the product is not powered after PCB mounting and when temporarily stored during transportation.

Materials / Finish

■ 125°C Heat Resistant Standard Type (DF40T)

Product	Component	Material	Color / Finish	Remarks
Header Receptacle	Housing	LCP	Black	UL94V-0
	Signal Contact	Copper Alloy	Gold Plating	-

■ 125°C Heat Resistant Shielded Type (DF40GT)

Product	Component	Material	Color / Finish	Remarks
Header	Housing	LCP	Black	UL94V-0
	Signal Contact	Copper Alloy	Gold Plating	-
	Retention Tab	Copper Alloy	Gold Plating	-
Receptacle	Housing	LCP	Black	UL94V-0
	Signal Contact	Copper Alloy	Gold Plating	-
	Shield	Copper Alloy	Gold Plating	-

Product Number Structure

Please utilize the below part number chart when selecting.

DF40T (125°C Heat Resistant Standard Type)

●Header

DF40 # - # DP - 0.4 V (##)

① ② ③ ④ ⑤ ⑥ ⑦

① Series Name	DF40	⑤ Contact Pitch	0.4mm
② Shape Symbol	TC : No Retention Tab	⑥ Contact Type	V : Straight SMT
③ No. of Pos.	10, 20, 30, 34, 40, 50	⑦ Packaging Type	(51) : Embossed Packaging (88) : Embossed Packaging
④ Connector Type	DP : Double Row Pin Header		

●Receptacle

DF40 # (##) - # DS - 0.4 V (##)

① ② ③ ④ ⑤ ⑥ ⑦ ⑧

① Series Name	DF40	④ No. of Pos.	10, 20, 30, 34, 40, 50
② Shape Symbol.	TB : Retention Tab TC : No Retention Tab	⑤ Connector Type	DS : Double Row Receptacle
③ Stacking Height	None : 1.5mm	⑥ Contact Pitch	0.4mm
	2.0 : 2.0mm	⑦ Contact Type	V : Straight SMT
	2.5 : 2.5mm	⑧ Packaging Type	(51) : Embossed Packaging (88) : Embossed Packaging
	3.0 : 3.0mm		
3.5 : 3.5mm			
4.0 : 4.0mm			

DF40GT (125°C Heat Resistant Shield Type)

●Header

DF40 GT - # DP - 0.4 V (51)

① ② ③ ④ ⑤ ⑥ ⑦

① Series Name	DF40	⑤ Contact Pitch	0.4mm
② Shape Symbol	GT : With Shield	⑥ Contact Type	V : Straight SMT
③ No. of Pos.	10	⑦ Packaging Type	(51) : Embossed Packaging
④ Connector Type	DP : Double Row Pin Header		

●Receptacle

DF40 GT (##) - # DS - 0.4 V (51)

① ② ③ ④ ⑤ ⑥ ⑦ ⑧

① Series Name	DF40	⑤ Connector Type	DS : Double Row Receptacle
② Shape Symbol	GT : With Shield	⑥ Contact Pitch	0.4mm
③ Stacking Height	1.5 : 1.5mm	⑦ Contact Type	V : Straight SMT
④ No. of Pos.	10	⑧ Packaging Type	(51) : Embossed Packaging

Combinations

■ 125°C Heat Resistant Standard Type (DF40T)

Unit : mm

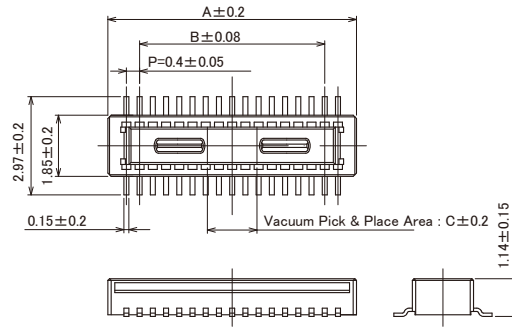
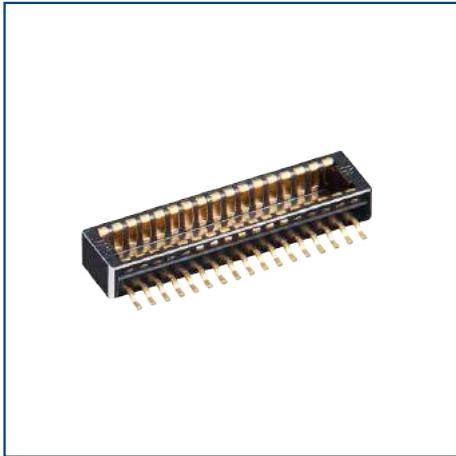
Receptacle / Header	DF40TC-##DP-0.4V(51) Stacking Height
DF40TC-##DS-0.4V(51)	1.5
DF40TC(2.0)-##DS-0.4V(51)	2.0
DF40TC(2.5)-##DS-0.4V(51)	2.5
DF40TC(3.0)-##DS-0.4V(51)	3.0
DF40TC(3.5)-##DS-0.4V(51)	3.5
DF40TC(4.0)-##DS-0.4V(51)	4.0

■ 125°C Heat Resistant Shielded Type (DF40GT)

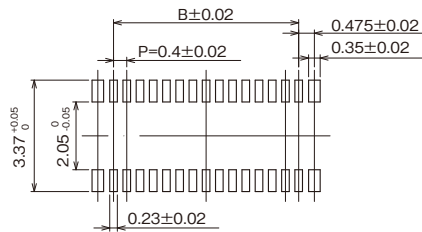
Unit : mm

Receptacle / Header	DF40GT-10DP-0.4V(51) Stacking Height
DF40GT(1.5)-10DS-0.4V(51)	1.5

DF40T (125°C Heat Resistant Standard Type) Header



● Recommended PCB Layout



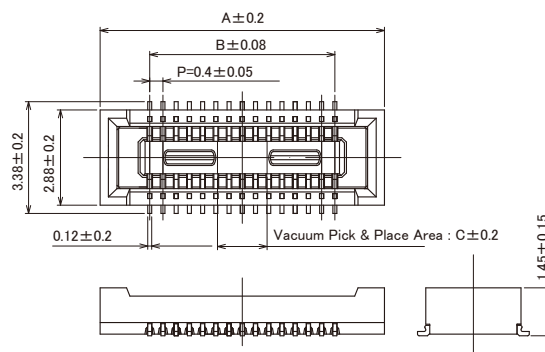
Recommended Metal Mask Thickness : 0.12mm, Open Area Ratio : 80%

Unit : mm

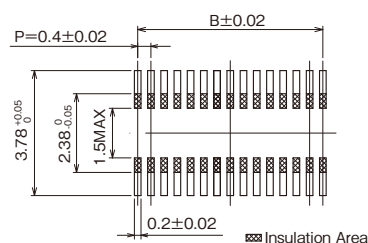
Part No.	HRS No.	No. of Pos.	A	B	C	Purchase Unit
DF40TC-10DP-0.4V(51)	CL0684-4269-0-51	10	3.52	1.60	1.00	5,000pcs per reel
DF40TC-20DP-0.4V(51)	CL0684-4262-0-51	20	5.52	3.60	1.00	
DF40TC-30DP-0.4V(51)	CL0684-4263-0-51	30	7.52	5.60	1.50	
DF40TC-34DP-0.4V(51)	CL0684-4255-0-51	34	8.32	6.40	2.30	
DF40TC-40DP-0.4V(51)	CL0684-4264-0-51	40	9.52	7.60	3.20	
DF40TC-50DP-0.4V(51)	CL0684-4268-0-51	50	11.52	9.60	3.20	
DF40TC-120DP-0.4V(88)	CL0684-4295-0-88	120	25.52	23.60	3.20	

Note 1 : Please order embossed tape packaged items by the reel.
 Note 2 : This connector has no polarity.

DF40T (125°C Heat Resistant Standard Type) Receptacle (Stacking Height 1.5mm)



● Recommended PCB Pattern



Recommended Metal Mask Thickness : 0.12mm, Aperture Ratio : 80%

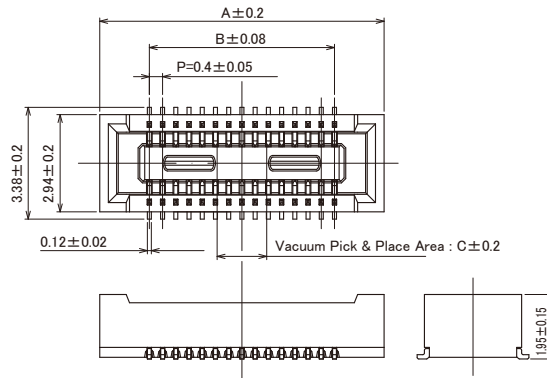
Unit : mm

Part No.	HRS No.	No. of Pos.	A	B	C	Purchase Unit
DF40TB-10DS-0.4V(51)	CL0684-4273-0-51	10	4.6	1.6	1.0	5,000pcs per reel
DF40TC-20DS-0.4V(51)	Under Planning	20	6.6	3.6	1.0	
DF40TC-30DS-0.4V(51)	CL0684-4261-0-51	30	8.6	5.6	1.5	
DF40TC-34DS-0.4V(51)	CL0684-4240-0-51	34	9.4	6.4	2.3	
DF40TC-40DS-0.4V(51)	CL0684-4272-0-51	40	10.6	7.6	3.2	
DF40TC-50DS-0.4V(51)	CL0684-4249-0-51	50	12.6	9.6	3.2	
DF40TC-120DS-0.4V(88)	CL0684-4296-0-88	120	26.6	23.6	3.2	

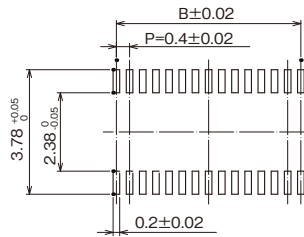
Note 1 : Please order embossed tape packaged items by the reel.

Note 2 : This connector has no polarity.

DF40T (125°C Heat Resistant Standard Type) Receptacle (Stacking Height 2.0mm)



● Recommended PCB Pattern



Recommended Metal Mask Thickness : 0.12mm, Aperture Ratio : 80%

Unit : mm

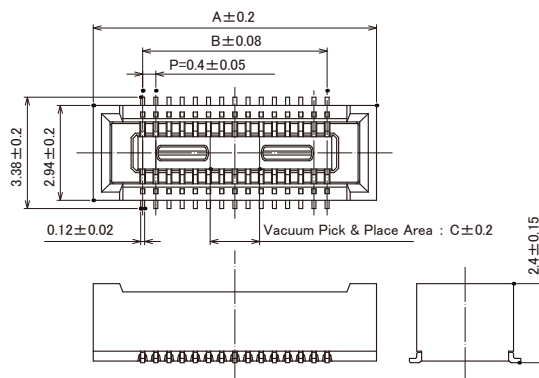
Part No.	HRS No.	No. of Pos.	A	B	C	Purchase Unit
DF40TC(2.0)-20DS-0.4V(51)	Under Planning	20	6.6	3.6	1.0	4,000pcs per reel
DF40TC(2.0)-30DS-0.4V(51)	Under Planning	30	8.6	5.6	1.5	
DF40TC(2.0)-40DS-0.4V(51)	Under Planning	40	10.6	7.6	3.2	

Note 1 : Please order embossed tape packaged items by the reel.

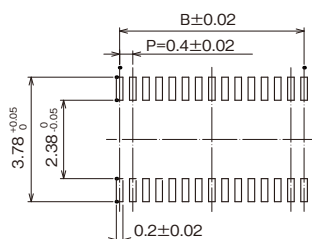
Note 2 : This connector has no polarity.

DF40T (125°C Heat Resistant Standard Type) Receptacle (Stacking Height 2.5mm to 4.0mm)

● Stacking Height 2.5mm



● Recommended PCB Pattern



Recommended Metal Mask Thickness : 0.12mm, Open Area Ratio : 80%

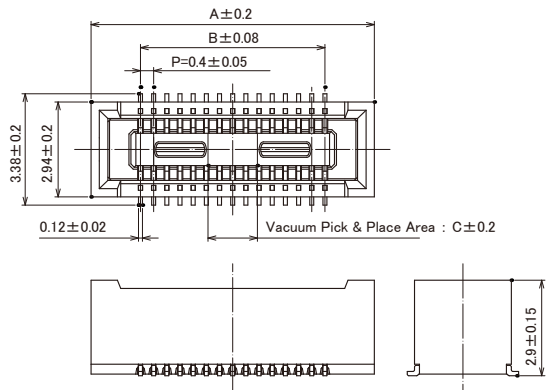
Unit : mm

Part No.	HRS No.	No. of Pos.	A	B	C	Purchase Unit
DF40TC(2.5)-20DS-0.4V(51)	CL0684-4280-0-51	20	6.6	3.6	1.0	3,000pcs per reel
DF40TC(2.5)-30DS-0.4V(51)	CL0684-4266-0-51	30	8.6	5.6	1.5	
DF40TC(2.5)-40DS-0.4V(51)	Under Planning	40	10.6	7.6	3.2	
DF40TC(2.5)-50DS-0.4V(51)	CL0684-4279-0-51	50	12.6	9.6	3.2	

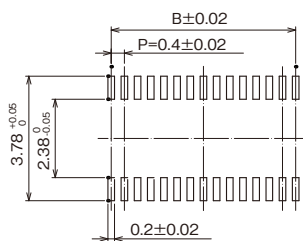
Note 1 : Please order embossed tape packaged items by the reel.

Note 2 : This connector has no polarity.

● Stacking Height 3.0mm



● Recommended PCB Pattern



Recommended Metal Mask Thickness : 0.12mm, Open Area Ratio : 80%

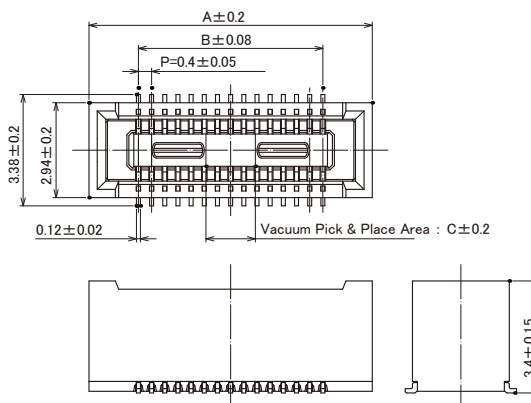
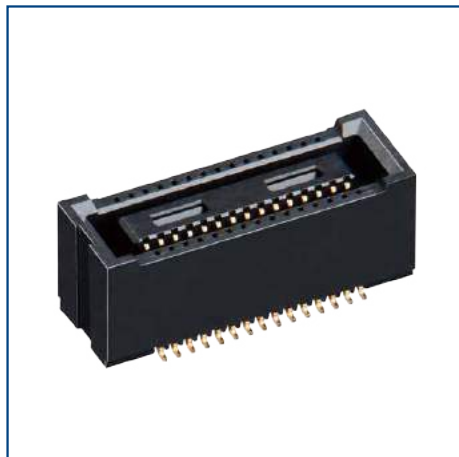
Unit : mm

Part No.	HRS No.	No. of Pos.	A	B	C	Purchase Unit
DF40TC(3.0)-20DS-0.4V(51)	CL0684-4275-0-51	20	6.6	3.6	1.0	3,000pcs per reel
DF40TC(3.0)-30DS-0.4V(51)	CL0684-4242-0-51	30	8.6	5.6	1.5	
DF40TC(3.0)-40DS-0.4V(51)	CL0684-4276-0-51	40	10.6	7.6	3.2	

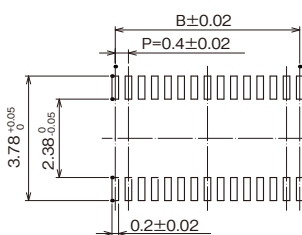
Note 1 : Please order embossed tape packaged items by the reel.

Note 2 : This connector has no polarity.

● Stacking Height 3.5mm



● Recommended PCB Pattern



Recommended Metal Mask Thickness : 0.12mm, Open Area Ratio : 80%

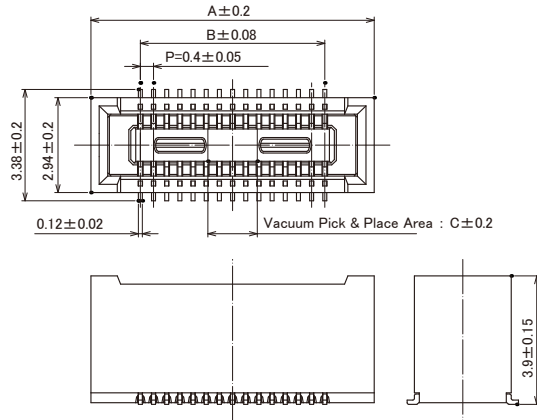
Unit : mm

Part No.	HRS No.	No. of Pos.	A	B	C	Purchase Unit
DF40TC(3.5)-20DS-0.4V(51)	CL0684-4253-0-51	20	6.6	3.6	1.0	2,000pcs per reel
DF40TC(3.5)-30DS-0.4V(51)	CL0684-4237-0-51	30	8.6	5.6	1.5	
DF40TC(3.5)-40DS-0.4V(51)	CL0684-4254-0-51	40	10.6	7.6	3.2	

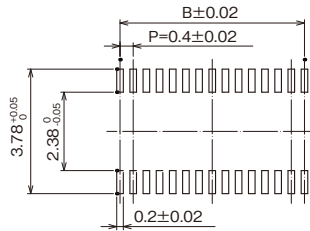
Note 1 : Please order embossed tape packaged items by the reel.

Note 2 : This connector has no polarity.

● Stacking Height 4.0mm



● Recommended PCB Pattern



Recommended Metal Mask Thickness : 0.12mm, Open Area Ratio : 80%

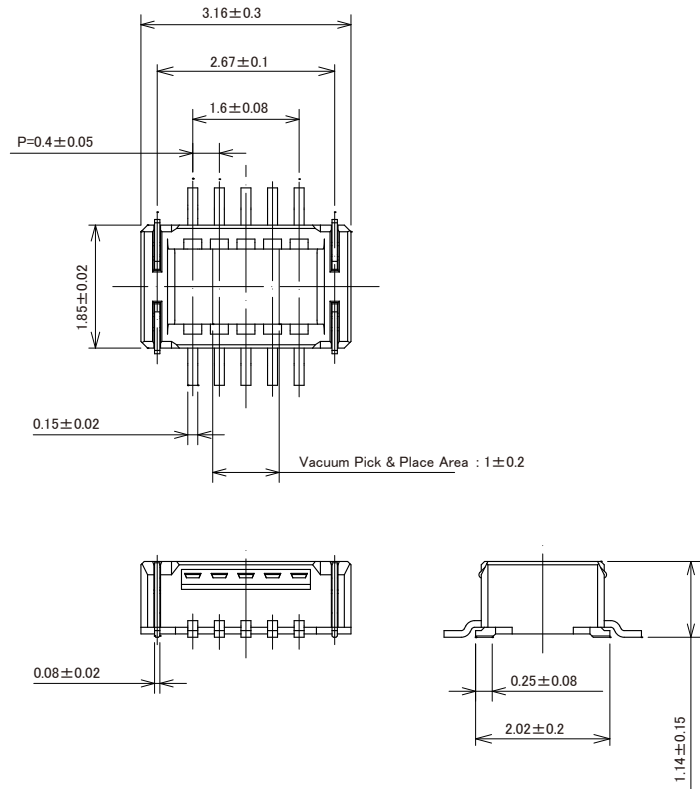
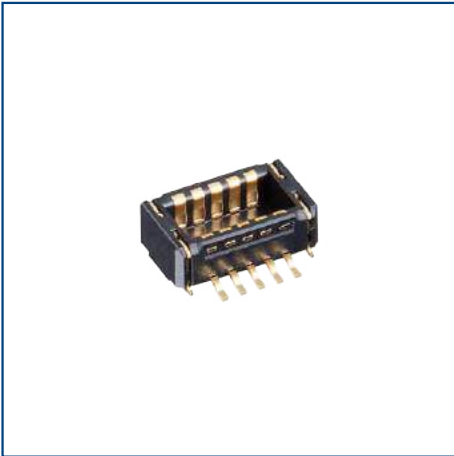
Unit : mm

Part No.	HRS No.	No. of Pos.	A	B	C	Purchase Unit
DF40TC(4.0)-20DS-0.4V(51)	CL0684-4258-0-51	20	6.6	3.6	1.0	2,000pcs per reel
DF40TC(4.0)-30DS-0.4V(51)	CL0684-4256-0-51	30	8.6	5.6	1.5	
DF40TC(4.0)-40DS-0.4V(51)	CL0684-4259-0-51	40	10.6	7.6	3.2	
DF40TC(4.0)-50DS-0.4V(51)	CL0684-4297-0-51	50	12.6	9.6	3.2	

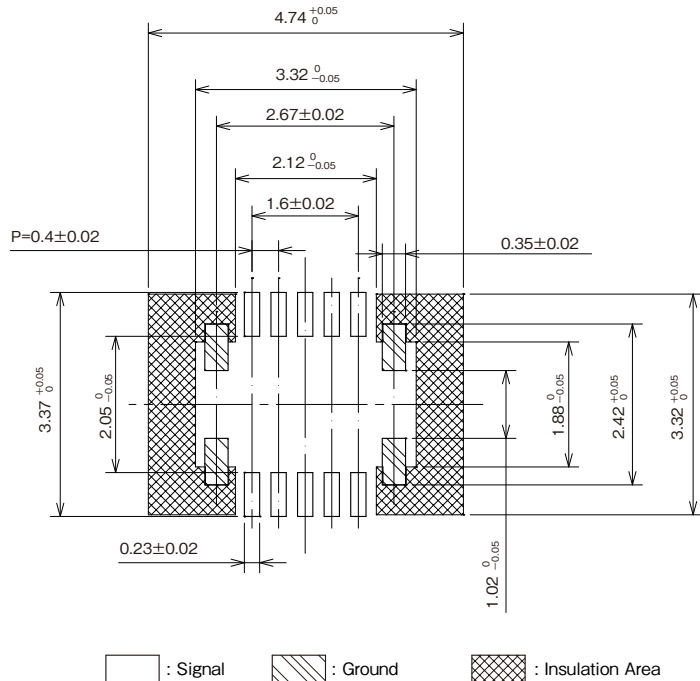
Note 1 : Please order embossed tape packaged items by the reel.

Note 2 : This connector has no polarity.

DF40GT (125°C Heat Resistant With Shield Type) Header



● Recommended PCB Pattern



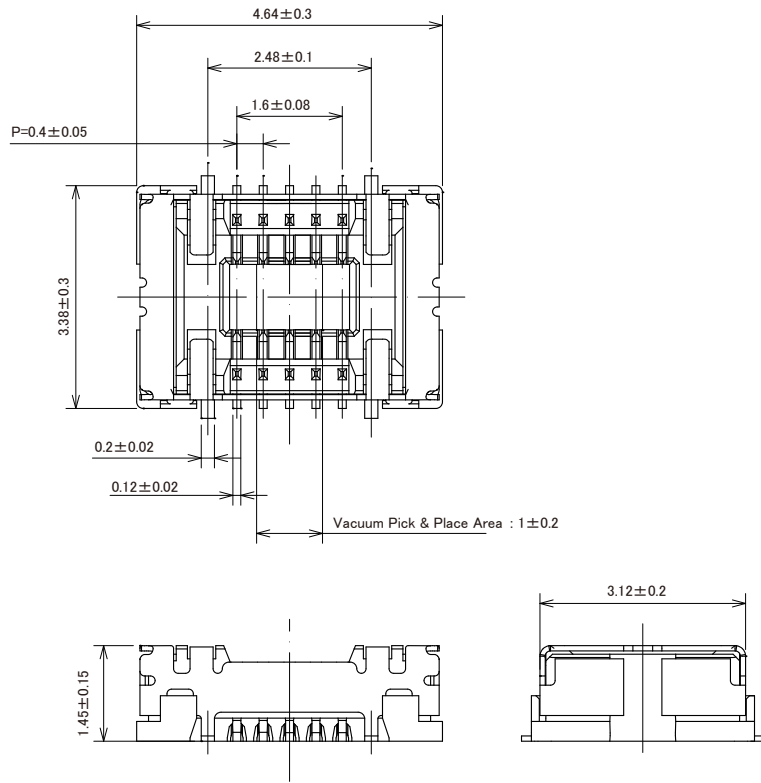
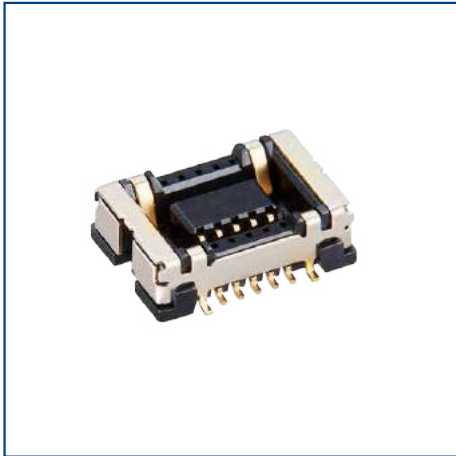
Recommended Metal Mask Thickness : 0.12mm, Aperture Ratio : 80%

Unit : mm

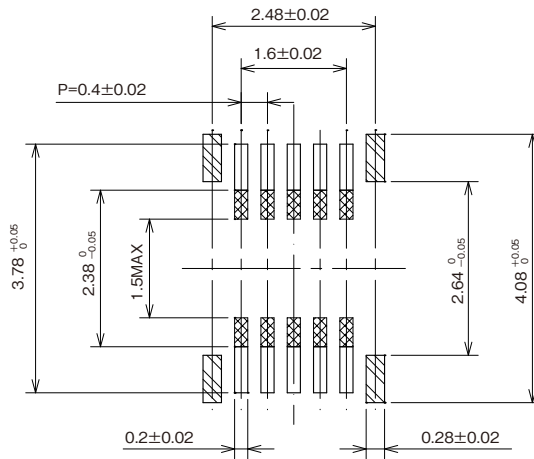
Part No.	HRS No.	No. of Pos.	Purchase Unit
DF40GT-10DP-0.4V(51)	CL0684-4260-0-51	10	5,000pcs per reel

Note 1 : Please order embossed tape packaged items by the reel.
 Note 2 : This connector has no polarity.

DF40T (125°C Heat Resistant With Shield Type) Receptacle



● Recommended PCB Pattern



: Signal
 : Ground
 : Insulation Area

Recommended Metal Mask Thickness : 0.12mm, Open Area Ratio : 80%

Unit : mm

Part No.	HRS No.	No. of Pos.	Purchase Unit
DF40GT(1.5)-10DS-0.4V(51)	CL0684-4248-0-51	10	5,000pcs per reel

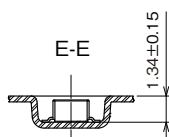
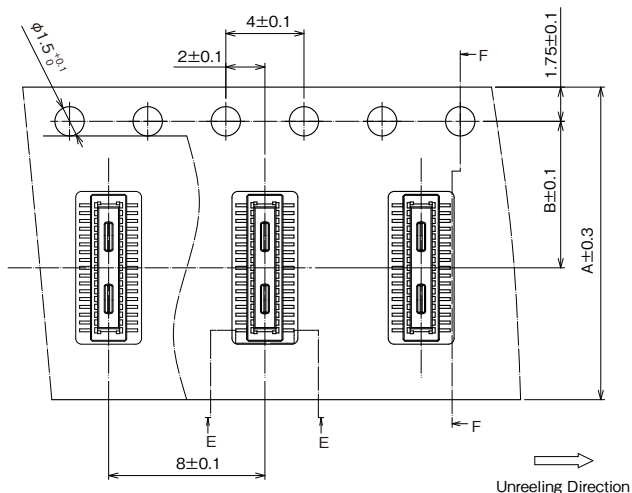
Note 1 : Please order embossed tape packaged items by the reel.
 Note 2 : This connector has no polarity.

Packaging Specifications Diagram (JIS C 0806, IEC 60286 -3 Compliant)

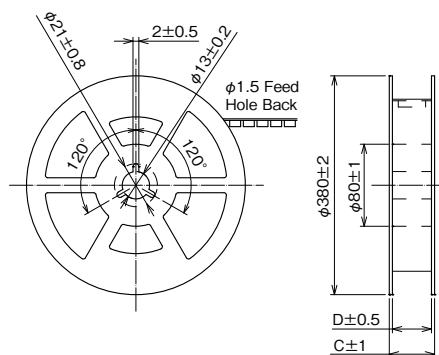
DF40T (125°C Heat Resistant Standard Type)

Header

Embossed Tape Dimensions



Reel Dimensions



Unit : mm

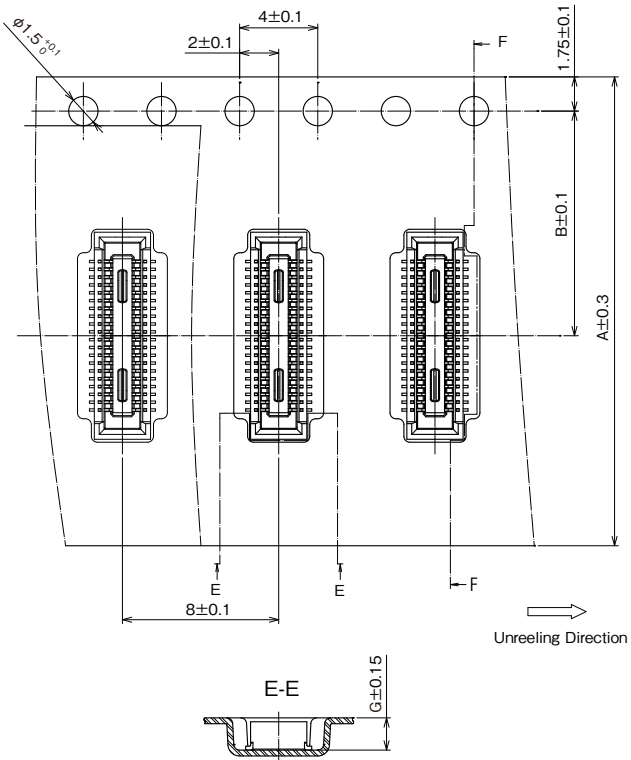
Part No.	HRS No.	A	B	C	D	Purchase Unit
DF40TC-10DP-0.4V(51)	CL0684-4269-0-51	12	5.5	17.5	13.5	5,000pcs per reel
DF40TC-20DP-0.4V(51)	CL0684-4262-0-51	16	7.5	21.5	17.5	
DF40TC-30DP-0.4V(51)	CL0684-4263-0-51	16	7.5	21.5	17.5	
DF40TC-34DP-0.4V(51)	CL0684-4255-0-51	24	11.5	29.5	25.5	
DF40TC-40DP-0.4V(51)	CL0684-4264-0-51	24	11.5	29.5	25.5	
DF40TC-50DP-0.4V(51)	CL0684-4268-0-51	24	11.5	29.5	25.5	
DF40TC-120DP-0.4V(88)	CL0684-4295-0-88	44	40.4	49.5	45.5	

Note : The hole of the carrier tape for 10 to 60pos. will be only one side.

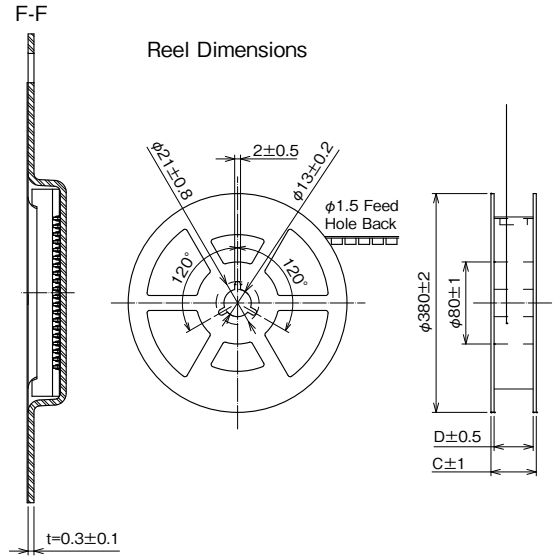
Receptacle

- Stacking Height 1.5 to 3.0mm

Embossed Tape Dimensions

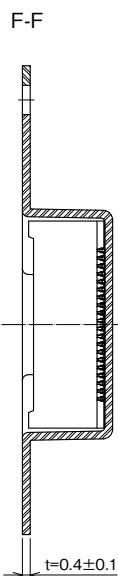
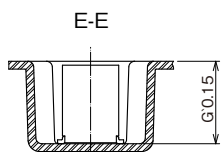
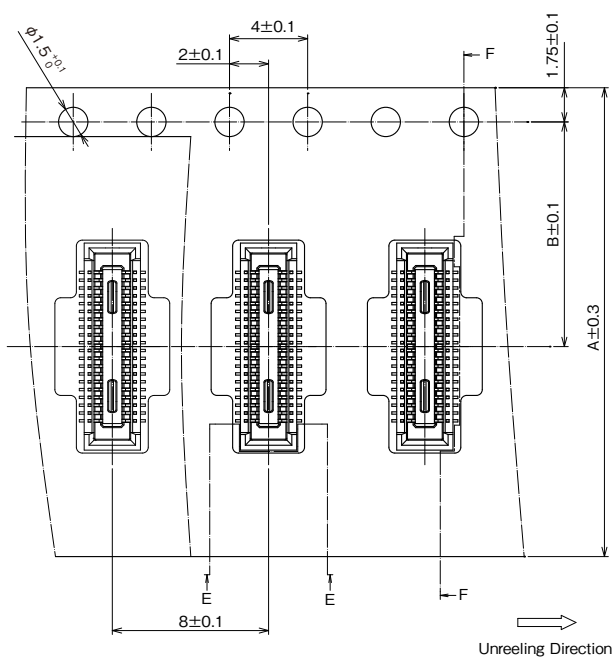


Reel Dimensions

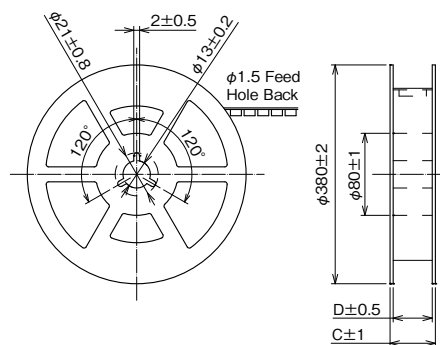


- Stacking Height 3.5 to 4.0mm

Embossed Tape Dimensions



Reel Dimensions



● Stacking Height 1.5mm

Unit : mm

Part No.	HRS No.	A	B	C	D	G	Purchase Unit
DF40TB-10DS-0.4V(51)	CL0684-4273-0-51	16	7.5	21.5	17.5	1.65	5,000pcs per reel
DF40TC-20DS-0.4V(51)	Under Planning	16	7.5	21.5	17.5	1.65	
DF40TC-30DS-0.4V(51)	CL0684-4261-0-51	24	11.5	29.5	25.5	1.65	
DF40TC-34DS-0.4V(51)	CL0684-4240-0-51	24	11.5	29.5	25.5	1.65	
DF40TC-40DS-0.4V(51)	CL0684-4272-0-51	24	11.5	29.5	25.5	1.65	
DF40TC-50DS-0.4V(51)	CL0684-4249-0-51	24	11.5	29.5	25.5	1.65	
DF40TC-120DS-0.4V(88)	CL0684-4296-0-88	44	40.4	49.5	45.5	1.65	

Note : The hole of the carrier tape for 10 to 60pos. will be only one side.

● Stacking Height 2.0mm

Unit : mm

Part No.	HRS No.	A	B	C	D	G	Purchase Unit
DF40TC(2.0)-20DS-0.4V(51)	Under Planning	16	7.5	21.5	17.5	2.2	4,000pcs per reel
DF40TC(2.0)-30DS-0.4V(51)	Under Planning	24	11.5	29.5	25.5	2.2	
DF40TC(2.0)-40DS-0.4V(51)	Under Planning	24	11.5	29.5	25.5	2.2	

● Stacking Height 2.5mm

Unit : mm

Part No.	HRS No.	A	B	C	D	G	Purchase Unit
DF40TC(2.5)-20DS-0.4V(51)	CL0684-4280-0-51	16	7.5	21.5	17.5	2.72	3,000pcs per reel
DF40TC(2.5)-30DS-0.4V(51)	CL0684-4266-0-51	24	11.5	29.5	25.5	2.72	
DF40TC(2.5)-40DS-0.4V(51)	Under Planning	24	11.5	29.5	25.5	2.72	
DF40TC(2.5)-50DS-0.4V(51)	CL0684-4279-0-51	24	11.5	29.5	25.5	2.72	

● Stacking Height 3.0mm

Unit : mm

Part No.	HRS No.	A	B	C	D	G	Purchase Unit
DF40TC(3.0)-20DS-0.4V(51)	CL0684-4275-0-51	16	7.5	21.5	17.5	3.15	3,000pcs per reel
DF40TC(3.0)-30DS-0.4V(51)	CL0684-4242-0-51	24	11.5	29.5	25.5	3.15	
DF40TC(3.0)-40DS-0.4V(51)	CL0684-4276-0-51	24	11.5	29.5	25.5	3.15	

● Stacking Height 3.5mm

Unit : mm

Part No.	HRS No.	A	B	C	D	G	Purchase Unit
DF40TC(3.5)-20DS-0.4V(51)	CL0684-4253-0-51	16	7.5	21.5	17.5	3.72	2,000pcs per reel
DF40TC(3.5)-30DS-0.4V(51)	CL0684-4237-0-51	24	11.5	29.5	25.5	3.72	
DF40TC(3.5)-40DS-0.4V(51)	CL0684-4254-0-51	24	11.5	29.5	25.5	3.72	

● Stacking Height 4.0mm

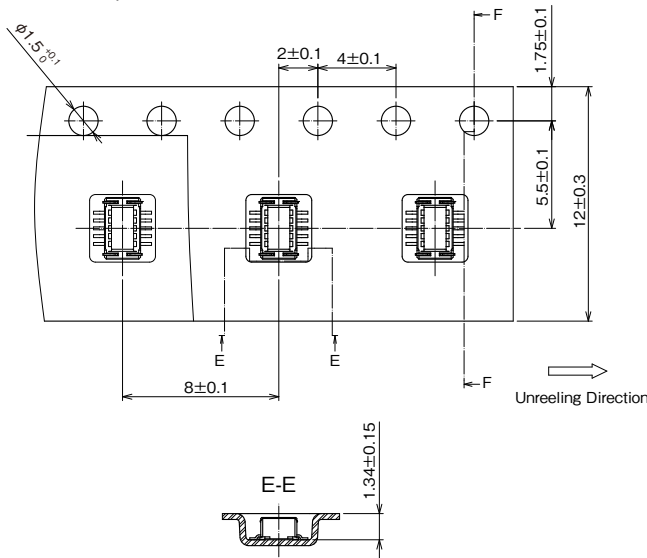
Unit : mm

Part No.	HRS No.	A	B	C	D	G	Purchase Unit
DF40TC(4.0)-20DS-0.4V(51)	CL0684-4258-0-51	16	7.5	21.5	17.5	4.22	2,000pcs per reel
DF40TC(4.0)-30DS-0.4V(51)	CL0684-4256-0-51	24	11.5	29.5	25.5	4.22	
DF40TC(4.0)-40DS-0.4V(51)	CL0684-4259-0-51	24	11.5	29.5	25.5	4.22	
DF40TC(4.0)-50DS-0.4V(51)	CL0684-4297-0-51	24	11.5	29.5	25.5	4.22	

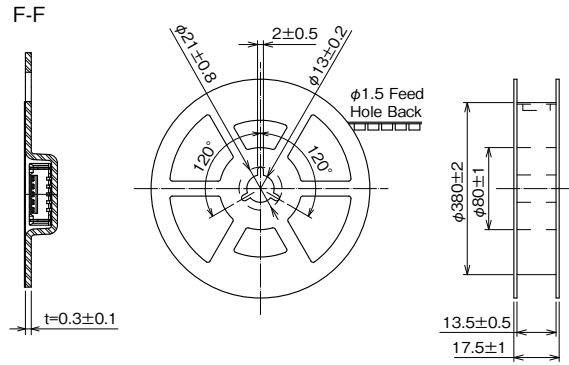
DF40GT (125°C Heat Resistant Standard Type)

Header

Embossed Tape Dimensions



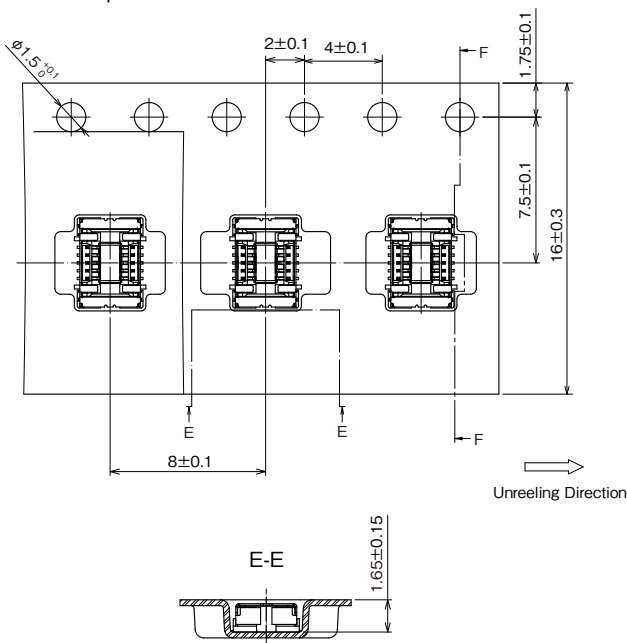
Reel Dimensions



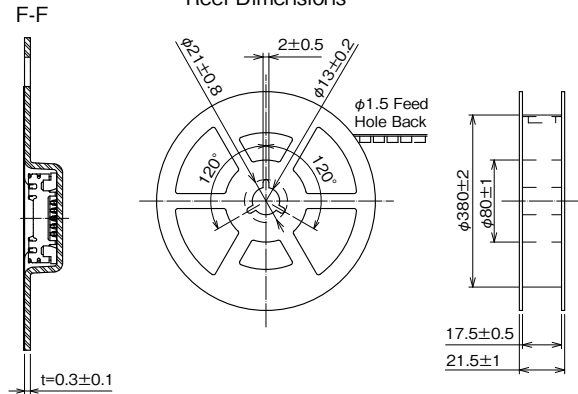
Part No.	HRS No.	No. of Pos.	Purchase Unit
DF40GT-10DP-0.4V(51)	CL0684-4260-0-51	10	5,000pcs per reel

Receptacle

Embossed Tape Dimensions

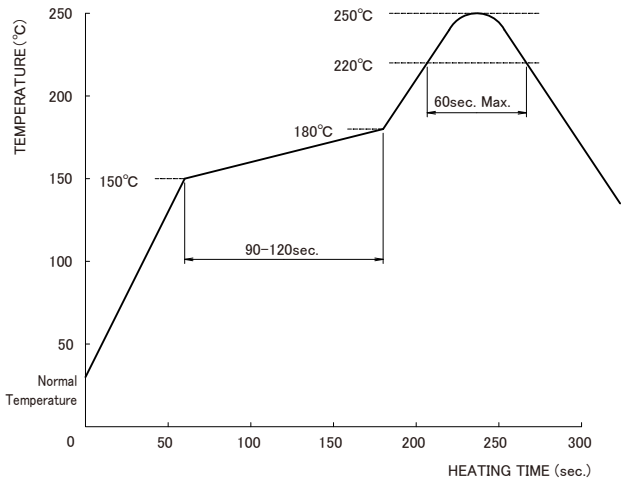


Reel Dimensions



Part No.	HRS No.	No. of Pos.	Purchase Unit
DF40GT(1.5)-10DS-0.4V(51)	CL0684-4248-0-51	10	5,000pcs per reel

Precautions

<p>Recommended Temperature Profile</p>	 <p>【Conditions】</p> <ol style="list-style-type: none"> 1. Peak Temperature : 250°C 2. Heating : 220°C Min. for 60 sec. Max. 3. Preheating : 150 to 180°C, 90 to 120 sec. 4. Number of Reflow Cycles : 2 cycles Max. <p>* Temperature refers to the surface temperature of the board near the connector lead. We recommend reflow mounting in a nitrogen environment.</p>
<p>Recommended Manual Soldering Conditions</p>	<p>Soldering iron temperature : $340 \pm 10^\circ\text{C}$, Soldering Time : Within 3 sec.</p>
<p>Recommended Metal Mask Thickness and Open Area to PCB Pattern (Area Ratio)</p>	<p>Thickness : 0.12mm, Aperture Ratio : DS 80% DP 80%</p>
<p>Board Warpage</p>	<p>Max. of 0.02mm at the center in reference to both ends of the connector</p>
<p>Cleaning</p>	<p>Cleaning is not recommended. If you clean this product, please evaluate its performance before using it. (Cleaning may impair the mating/unmating properties and lower resistance to environmental factors.)</p>
<p>Precautions</p>	<ul style="list-style-type: none"> · Be careful when mating/unmating the connector when it is not mounted on the PCB as it may cause damage/deformation to contacts. · Avoid supporting the PCB only with the connectors. Support it by other means such as bolts, screws, posts, etc. · Excessive prying during unmating/mating may result in damage. · In the case of hand soldering, please do not apply any flux which could cause flux wicking. · This product may have slight color differences due to production lot variability, but this does not affect the performance. · Please refer to the following page for handling precautions when inserting and removing. · Because the product can disengage if dropped (or other impact), or by FPC routing, it is advised to secure the mated connectors to the board with housings and cushioning materials. · Do not use the connector in non-recommended conditions (i.e., rated current, rated voltage, PCB design and operating environment, etc.). Such usage could lead to material outgassing, ignition, or short-circuit, etc. Refer to the specifications and guidelines for board pattern dimensions, board cautions, and connector treatment. Please contact Hirose if connector usage in conditions other than those described in the specifications and the guidelines is being considered.

Precautions for Handling During Use

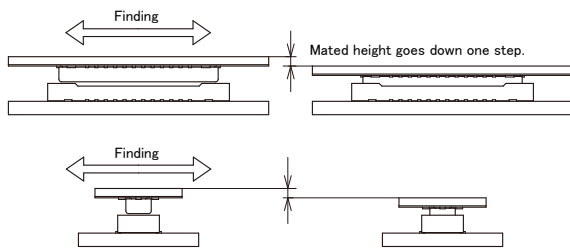
【Mating Method of Connector】

When Mating this Item, please do so by hand.

Mating Method

1. Locate the guide port and align. This product has a guide rib on the header to ensure proper engagement. Once aligned, the connector engages. You can feel the mated height of the connector lower.

Move the connector forward and backward, left and right to find the guide port.



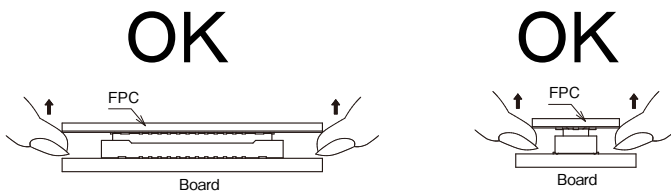
2. In the engaged state, the connectors are parallel to each other, and the connectors cannot move forward, backward, left, or right. Complete mating from this state.



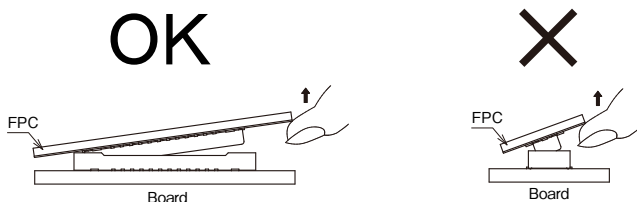
3. Check that mating is completed. If one side is floating, or if it is mated at a diagonal, remove and re-mate.

【Handling Precautions for Connector Removal】

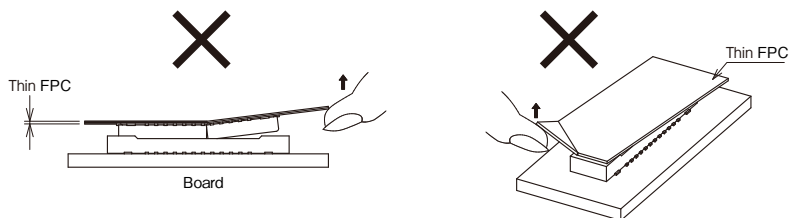
1. When removing the connector, it is preferable to pull it out in the upward direction from the connector mounting surface. However, when removing the FPC from the circuit board it becomes more difficult to remove it vertically with higher pin counts and thin FPCs.



2. If difficult to remove, extract the connector diagonally in the direction of the pitch. Note that removal from the widthwise side will apply a large load to the contacts.



3. If the FPC does not have sufficient rigidity, solder stripping or connector breakage may occur. Please use it after checking the repetitive operation with a flexible board in advance, such as during a trial manufacture run.
- Refrain from holding the corner of the flexible board and removing it diagonally as it will result in a large load to the contacts.



While Taking into Consideration

Specifications mentioned in this catalog are reference values.

When considering to order or use this product, please confirm the Drawing and Product Specifications sheets.

Use an appropriate cable when using the connector in combination with cables.

If considering usage of a non-specified cable, please contact your sales representative.

If assembly process is done by jigs & tools which are not identified by Hirose, assurance will not be given.

If considering usage for below mentioned applications, please contact your sales representative.

In cases where the application will demand a high level of reliability, such as automotive, medical instruments, public infrastructure, aerospace/ defense etc. Hirose must review before assurance of reliability can be given.

X-ON Electronics

Largest Supplier of Electrical and Electronic Components

Click to view similar products for [Board to Board & Mezzanine Connectors](#) category:

Click to view products by [Hirose](#) manufacturer:

Other Similar products are found below :

[589158040000018](#) [MDF7C-18P-2.54DSA\(55\)](#) [FCN-268F036-G/BD](#) [FCN-268M012-G/0D](#) [FCN-268M024-G/1D](#) [MIS-048-01-F-D-DP-K](#)
[832-10-034-10-001000](#) [FX4C-80S-1.27DSA](#) [93696-330](#) [224393](#) [FCN-235D050-G/C](#) [210-93-314-41-105000](#) [MDF7-40DP-2.54DSA\(55\)](#)
[5031084030](#) [MIT-114-03-F-D-K](#) [55323-1519](#) [026-6203-PDB](#) [027-6203-PDB](#) [069159702701000](#) [101A10019X](#) [105061100000861+](#) [55650-](#)
[0588-C](#) [75140-7012](#) [87471-650](#) [YTW-30-07-H-Q-410-140](#) [YTT-112-01-H-Q](#) [589159005003045](#) [063209](#) [FCN-268F024-G0D](#) [10124054-](#)
[515LF](#) [68685-603](#) [8-1616154-3](#) [MIS-019-01-F-D](#) [IL-WX-10PB-HF-B-E1000E](#) [YFT-50-05-H-10-SB-K](#) [FCN-214J100-G/0](#) [FCN-230C068-](#)
[E/S](#) [354184](#) [MIT-019-04-F-D-K](#) [P50-028-DDS-TG](#) [53309-2471](#) [54546-2071](#) [1586617-1](#) [504208-3010](#) [504208-5010](#) [504248-1010](#) [504248-](#)
[1210](#) [504248-2010](#) [LST-115-07-S-D](#) [LST-105-07-G-D](#)