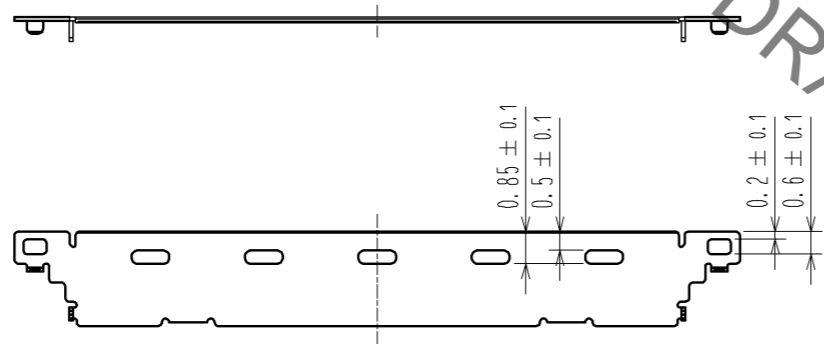
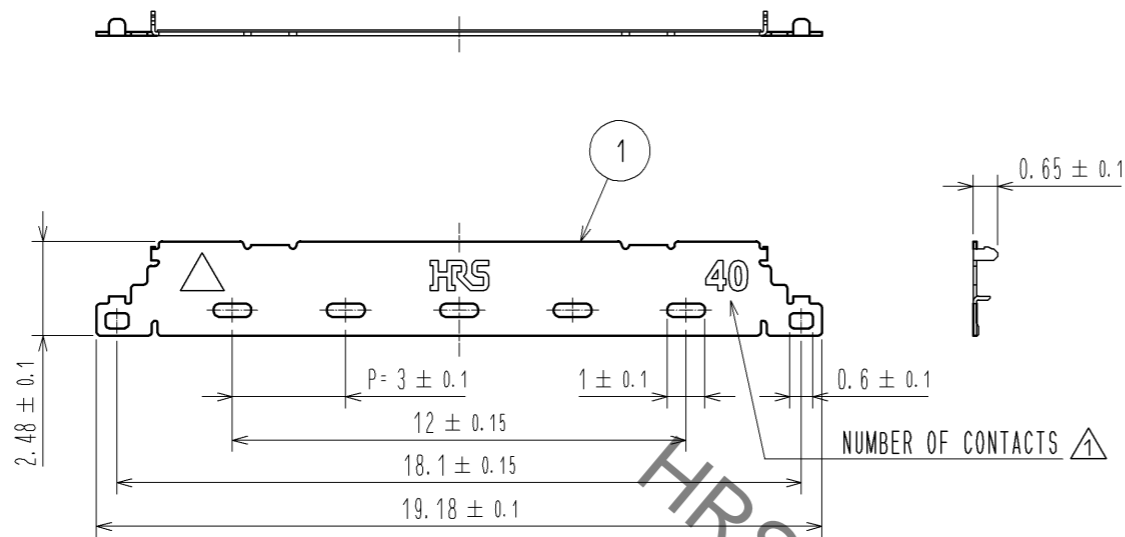
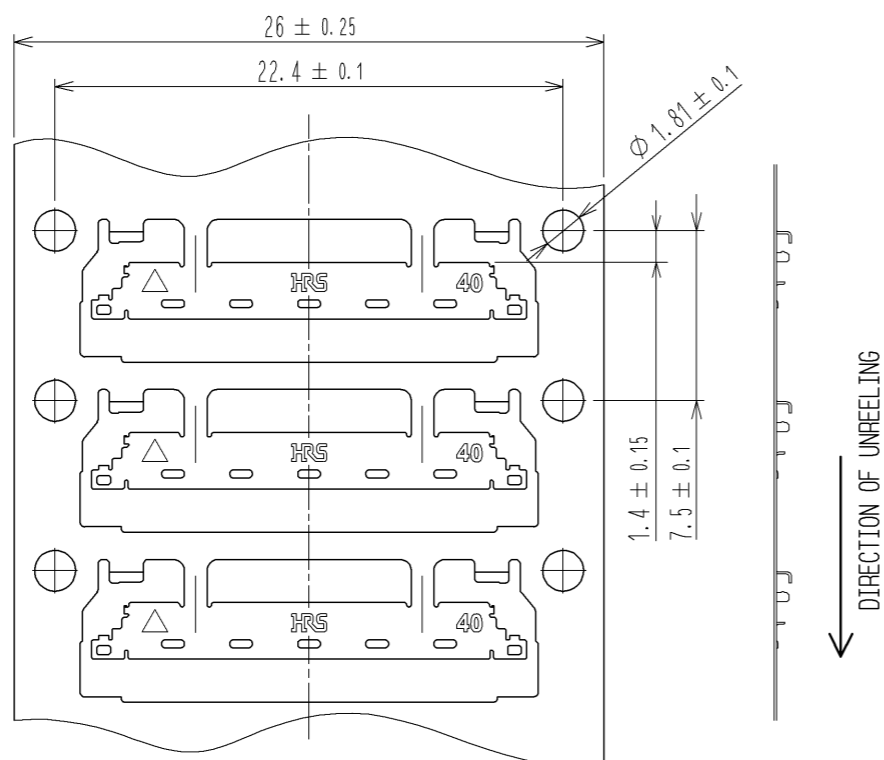


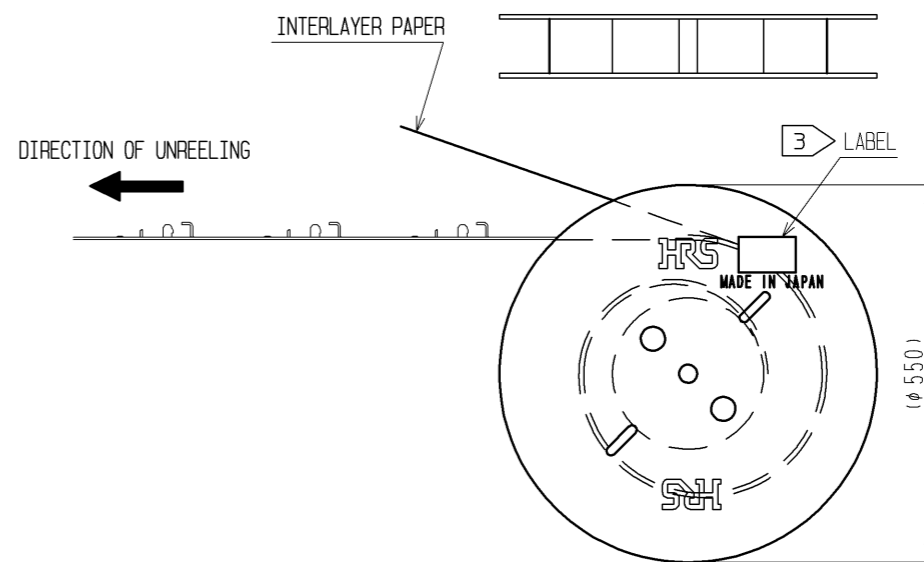
Sep.1.2021 Copyright 2021 HIROSE ELECTRIC CO., LTD. All Rights Reserved.
In case of consideration for using Automotive equipment / device which demand high reliability, kindly contact our sales window correspondents.



CAREER STATE DRAWING (FREE)



REEL STATE DRAWING(FREE)



NOTES

- 1. PER REEL:10000 COMPONENTS
- 2 THE ASSEMBLY IS COMPLETED BY COMBINING TWO PARTS 'CONNECTOR UNIT, AND METAL SHIELDING'. REFER TO THE TABLE FOR EACH ITEM No. PART NAME, PART No AND CODE No.
- △ REVISED CONFIGURATION.

ITEM No.	PART NAME	PART No.	CODE No.
-	CONNECTOR UNIT	DF49-40P-0.4SD	CL662-5501-9
1	METAL SHIELDING	DF49-40P-SHL	CL662-5502-1

3 LABEL DETAILS

HRS		INSPECTION 検査
CODE No. 品名コード	CL662-5502-1	
PART NO. 品名	DF49-40P-SHL	
QTY 数量	10,000 PCS	
PECULIAR 仕様		
Lot No		
SPLICE 継ぎ目		

NO.	MATERIAL	FINISH . REMARKS	NO.	MATERIAL	FINISH . REMARKS
1	PHOSPHOR BRONZE				WHOLE AREA : TIN PLATING 1μm min UNDER PLATING : COPPER PLATING 0.2μm min

UNITS mm	SCALE 5 : 1	COUNT 2	DESCRIPTION OF REVISIONS DIS-H-003569	DESIGNED AH.MIYAZAKI	CHECKED HK.UMEHARA	DATE 08.12.16
APPROVED : TS. SAKATA		08.05.15		DRAWING NO. EDC3-317265-01		
CHECKED : HK. UMEHARA		08.05.15		PART NO. DF49-40P-SHL		
DESIGNED : AH. MIYAZAKI		08.05.15		CODE NO. CL662-5502-1-00		
DRAWN : SI. ISHII		08.05.12		1/1		

X-ON Electronics

Largest Supplier of Electrical and Electronic Components

Click to view similar products for [Board to Board & Mezzanine Connectors](#) category:

Click to view products by [Hirose](#) manufacturer:

Other Similar products are found below :

[589158040000018](#) [MDF7C-18P-2.54DSA\(55\)](#) [FCN-230C068-11](#) [FCN-268F012-G/BD](#) [FCN-268F036-G/BD](#) [FCN-268M012-G/0D](#) [FCN-268M024-G/1D](#) [FCN-723J004/1](#) [MIS-048-01-F-D-DP-K](#) [832-10-034-10-001000](#) [FX4C-80S-1.27DSA](#) [FCN-214Q030-G/0](#) [FCN-234P048-G/0](#) [FCN-235D050-G/C](#) [210-93-314-41-105000](#) [2-22603-0](#) [MDF7-40DP-2.54DSA\(55\)](#) [AXG720047](#) [MIT-114-03-F-D-K](#) [55323-1519](#) [DF33-2P-3.3DSA\(24\)](#) [YFT-20-05-H-03-SB-K](#) [503308-3040](#) [026-6203-PDB](#) [027-6203-PDB](#) [069159702701000](#) [10123981-102LF](#) [101A10019X](#) [55650-0588-C](#) [68682-310LF](#) [68684-306](#) [75140-7012](#) [87471-650](#) [YTW-30-07-H-Q-410-140](#) [FCN-268F024-G0D](#) [10124054-515LF](#) [68685-603](#) [8-1616154-3](#) [MIS-019-01-F-D](#) [FCN-268M024-G/3D](#) [FCN-268M036-G/BD](#) [20021832-06016C1LF](#) [KX15-20KLDL-E1000E](#) [AXE810124](#) [FCN-214J100-G/0](#) [FCN-230C068-E/S](#) [AXE812124](#) [AXE816124](#) [AXE720127](#) [354184](#)