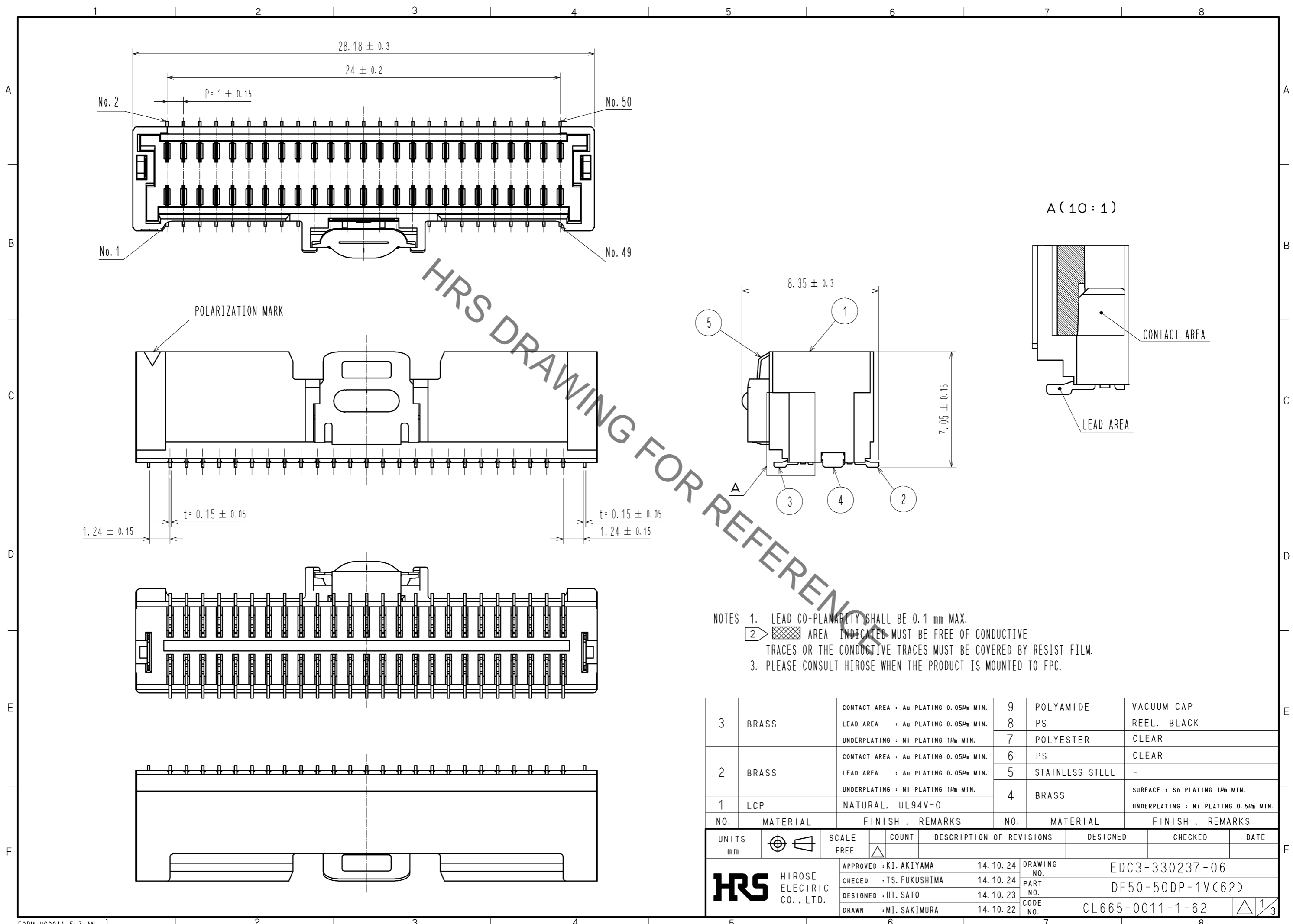


Jan.1.2022 Copyright 2022 HIROSE ELECTRIC CO., LTD. All Rights Reserved.
In case of consideration for using Automotive equipment / device which demand high reliability, kindly contact our sales window correspondents.



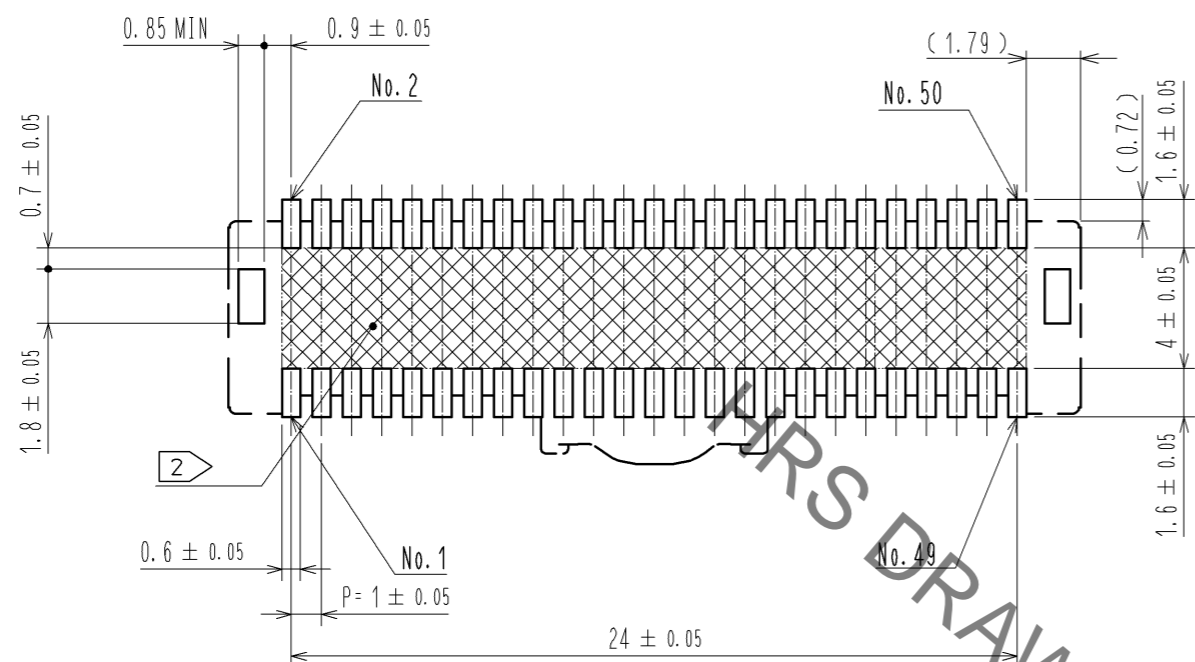
HRS DRAWING FOR REFERENCE

- NOTES
- LEAD CO-PLANARITY SHALL BE 0.1 mm MAX.
 - AREA INDICATED MUST BE FREE OF CONDUCTIVE TRACES OR THE CONDUCTIVE TRACES MUST BE COVERED BY RESIST FILM.
 - PLEASE CONSULT HIROSE WHEN THE PRODUCT IS MOUNTED TO FPC.

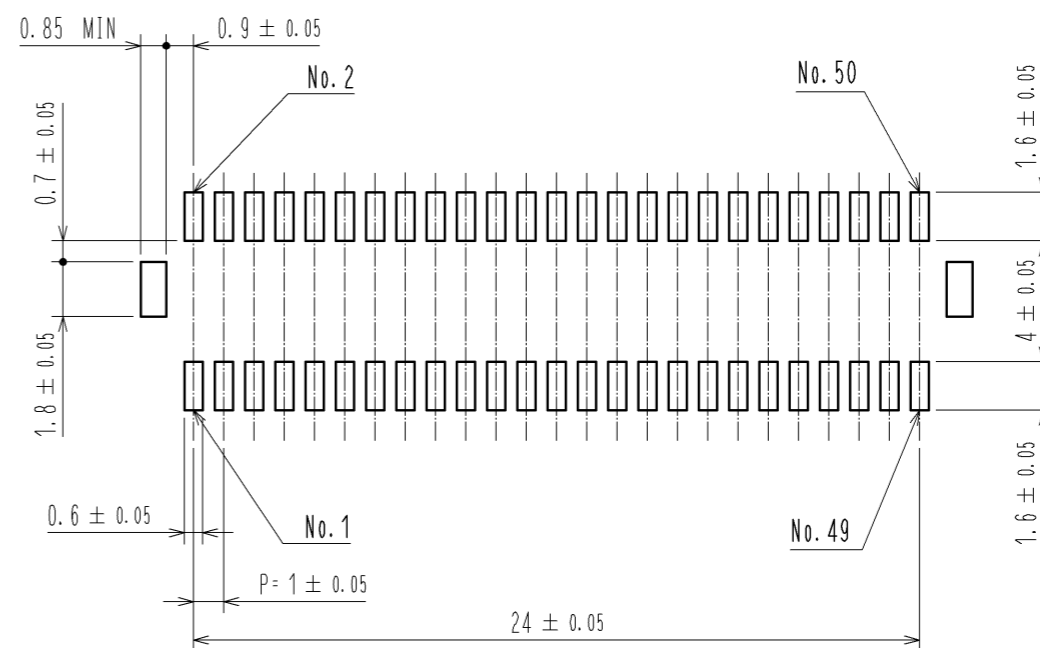
3	BRASS	CONTACT AREA : Au PLATING 0.05μm MIN.	9	POLYAMIDE	VACUUM CAP			
		LEAD AREA : Au PLATING 0.05μm MIN.	8	PS	REEL, BLACK			
		UNDERPLATING : Ni PLATING 1μm MIN.	7	POLYESTER	CLEAR			
2	BRASS	CONTACT AREA : Au PLATING 0.05μm MIN.	6	PS	CLEAR			
		LEAD AREA : Au PLATING 0.05μm MIN.	5	STAINLESS STEEL	-			
		UNDERPLATING : Ni PLATING 1μm MIN.	4	BRASS	SURFACE : Sn PLATING 1μm MIN. UNDERPLATING : Ni PLATING 0.5μm MIN.			
1	LCP	NATURAL, UL94V-0						
NO.	MATERIAL	FINISH . REMARKS	NO.	MATERIAL	FINISH . REMARKS			
UNITS mm		SCALE FREE	COUNT 	DESCRIPTION OF REVISIONS		DESIGNED	CHECKED	DATE
HRS HIROSE ELECTRIC CO., LTD.		APPROVED : KI. AKIYAMA	14.10.24	DRAWING NO. EDC3-330237-06				
		CHECED : TS. FUKUSHIMA	14.10.24	PART NO. DF50-50DP-1V(62)				
		DESIGNED : HT. SATO	14.10.23	CODE NO. CL665-0011-1-62				
		DRAWN : MI. SAKIMURA	14.10.22					

Jan.1.2022 Copyright 2022 HIROSE ELECTRIC CO., LTD. All Rights Reserved.
 In case of consideration for using Automotive equipment / device which demand high reliability, kindly contact our sales window correspondents.

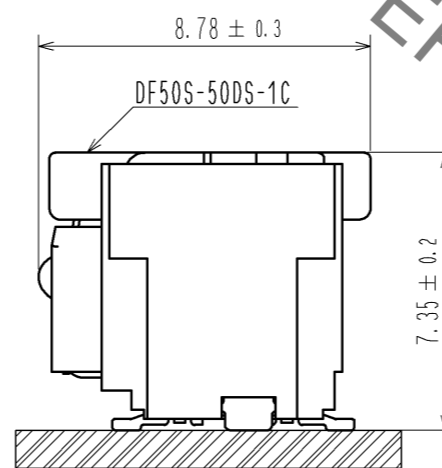
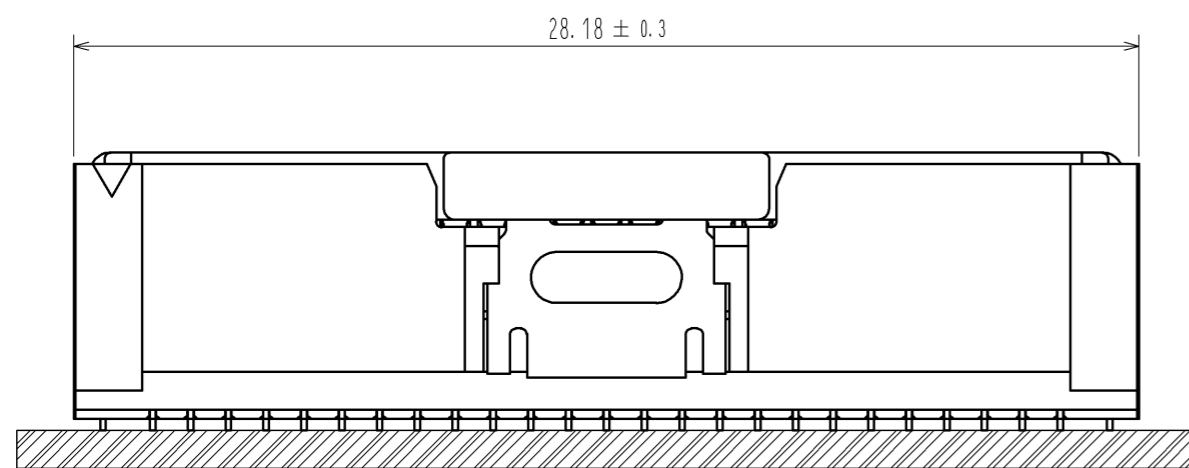
RECOMMENDED PCB LAYOUT
 (MOUNTING SURFACE SIDE) (FREE)



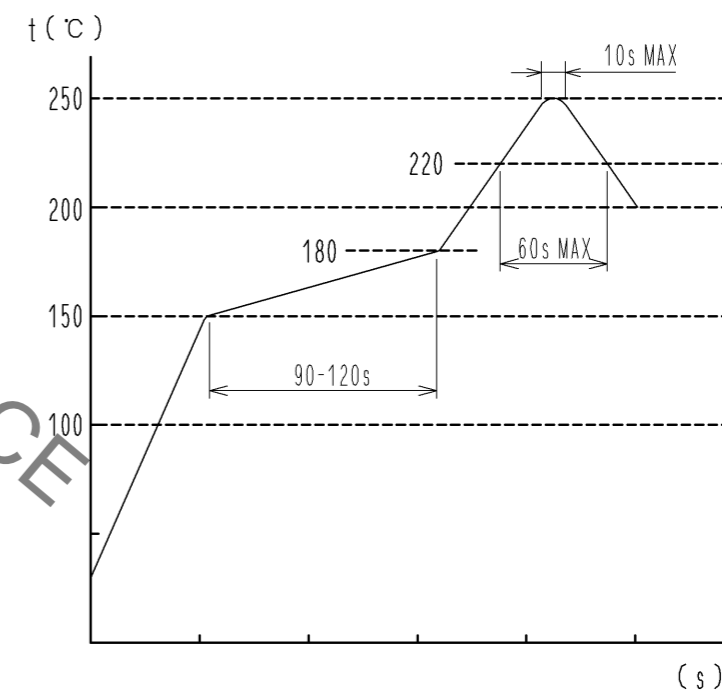
RECOMMENDED METAL MASK (FREE)
 THICKNESS : 0.1mm



MATING FIGURE (5 : 1)



REFLOW TEMPERATURE PROFILE
 USING LEAD-FREE SOLDER PASTE(REFERENCE)

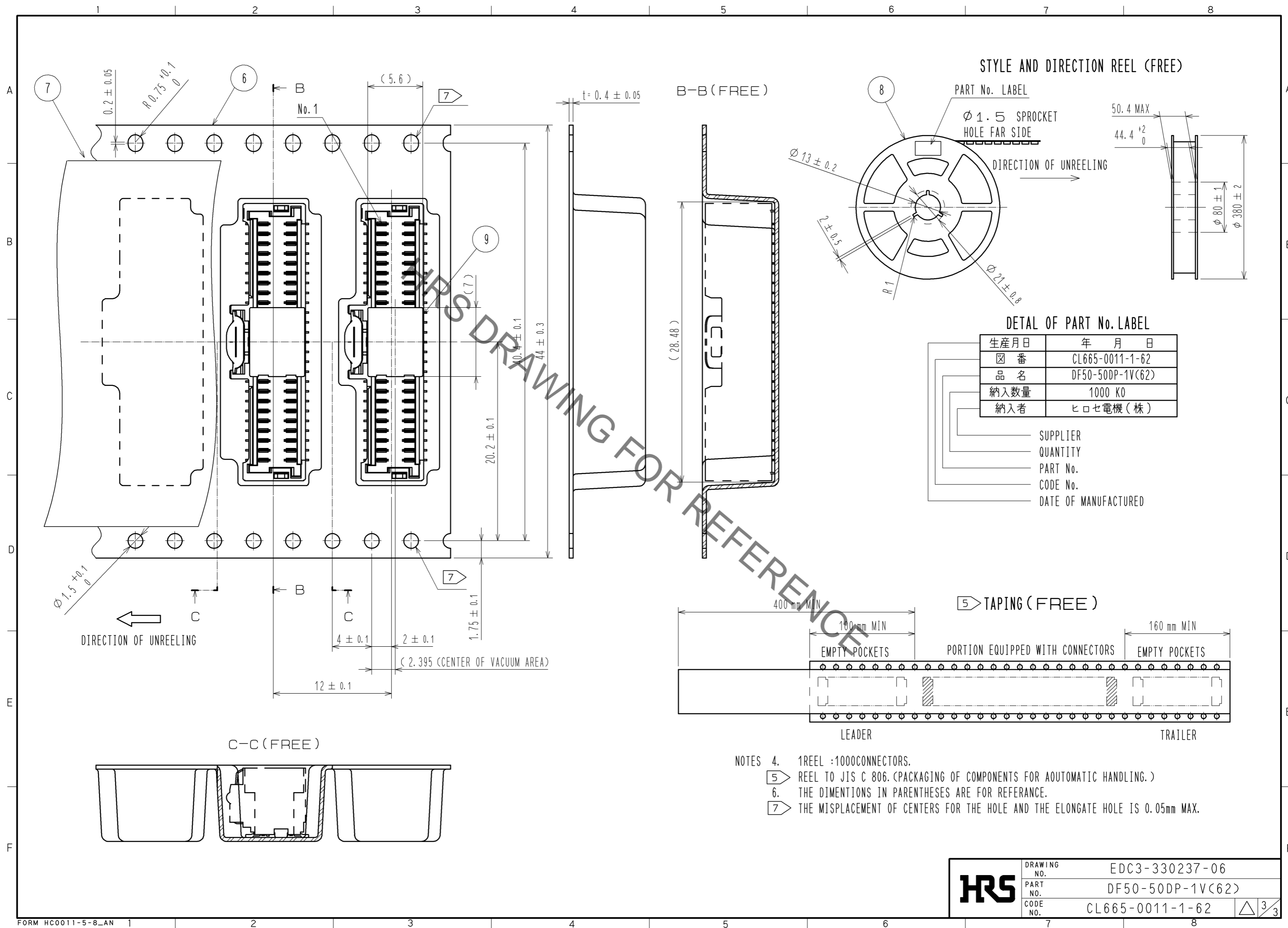


NUMBER OF REFLOW CYCLES : 2 CYCLES MAX.
 THE TEMPERATURE OF THIS PROFILE IS MEASURED ON THE LEAD TERMINAL.

WE RECOMMEND PERFORMING AN EVALUATION UNDER THE MOUNTING
 CONDITIONS YOU WILL BE USING BECAUSE IT COULD BE AFFECTED
 BY ANY CONDITION:TYPE OF SOLDER PASTE, SIZE OF PCB, MOUNTING
 METAL etc.

HRS	DRAWING NO.	EDC3-330237-06
	PART NO.	DF50-50DP-1V(62)
	CODE NO.	CL665-0011-1-62
		2/3

Jan.1.2022 Copyright 2022 HIROSE ELECTRIC CO., LTD. All Rights Reserved.
 In case of consideration for using Automotive equipment / device which demand high reliability, kindly contact our sales window correspondents.



HRS	DRAWING NO.	EDC3-330237-06
	PART NO.	DF50-50DP-1V(62)
	CODE NO.	CL665-0011-1-62
		△ 3/3

X-ON Electronics

Largest Supplier of Electrical and Electronic Components

Click to view similar products for [Headers & Wire Housings](#) category:

Click to view products by [Hirose](#) manufacturer:

Other Similar products are found below :

[892-18-020-10-001101](#) [58102-G61-06LF](#) [582553-1](#) [0009485154](#) [009176003701906](#) [0050291907](#) [LY20-4P-DT1-P1E-BR](#) [02.125.8002.8](#)
[609-3404](#) [61062-3](#) [622-0430](#) [622-3653LF](#) [63453-116](#) [636-1030](#) [636-1427](#) [636-3427](#) [636-4007](#) [641938-9](#) [641991-4](#) [644827-2](#) [65817-010LF](#)
[65817-015LF](#) [65863-015LF](#) [66207-023LF](#) [67095-007LF](#) [67601157](#) [68648-049](#) [70.362.1628.0](#) [70-4210](#) [70-4226B](#) [70-4853B](#) [707-5020](#) [707-](#)
[5028](#) [71.350.2428.0](#) [71918-208LF](#) [71961-016LF](#) [733-134](#) [733-162](#) [754199-000](#) [760-3052](#) [787-8014-00](#) [79531-3000](#) [FCN-360C032-B](#) [FCN-](#)
[367T-T012/H](#) [FCN-723D010/2](#) [80.063.4001.1](#) [800-90-001-10-001000](#) [800-90-010-10-002000](#) [801-43-002-10-013000](#) [801-43-006-10-002000](#)