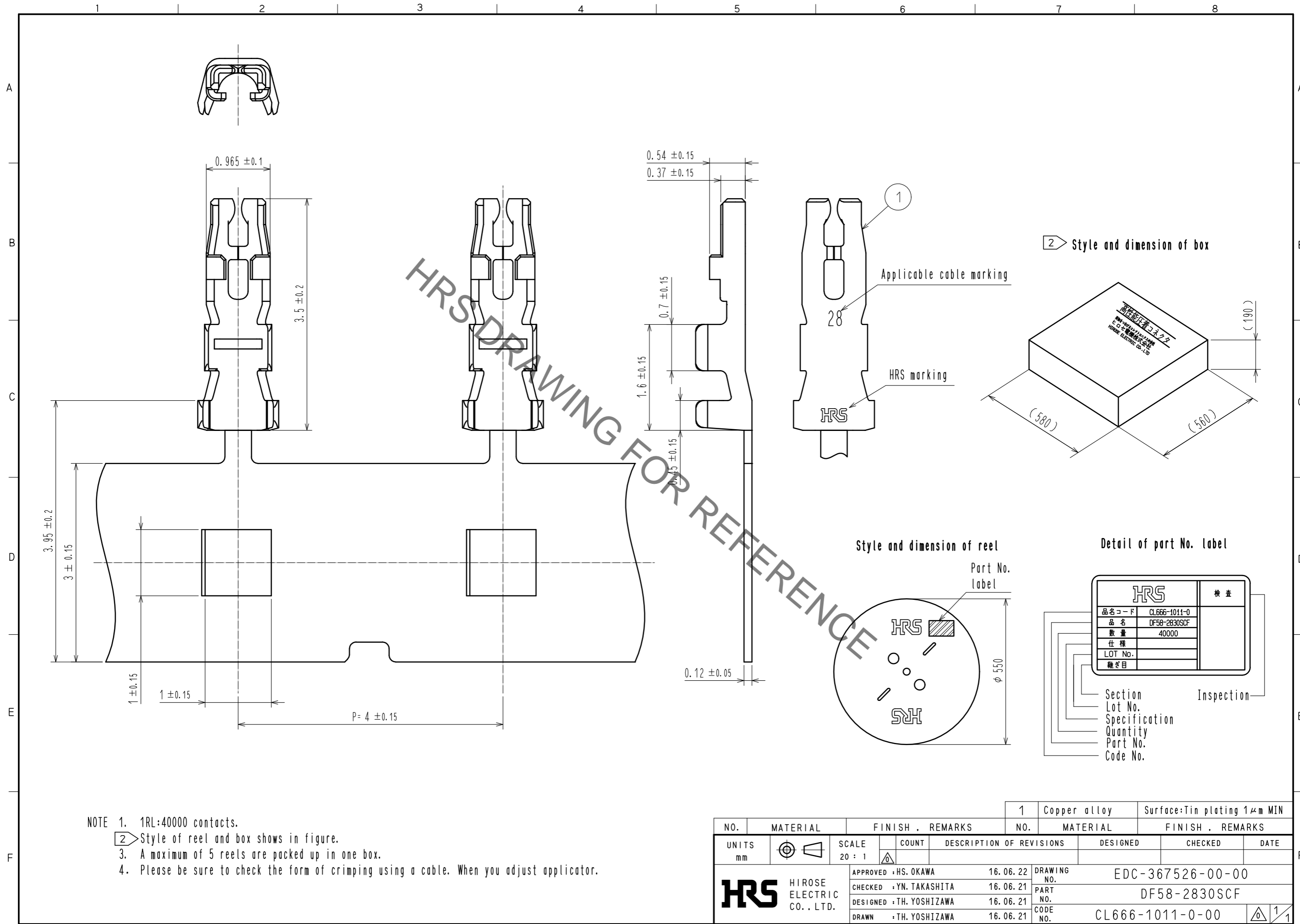


Sep.1.2021 Copyright 2021 HIROSE ELECTRIC CO., LTD. All Rights Reserved.  
 In case of consideration for using Automotive equipment / device which demand high reliability, kindly contact our sales window correspondents.



- NOTE 1. 1RL:40000 contacts.  
 2. Style of reel and box shows in figure.  
 3. A maximum of 5 reels are packed up in one box.  
 4. Please be sure to check the form of crimping using a cable. When you adjust applicator.

| NO. | MATERIAL     | FINISH . REMARKS            | NO. | MATERIAL | FINISH . REMARKS |
|-----|--------------|-----------------------------|-----|----------|------------------|
| 1   | Copper alloy | Surface:Tin plating 1μm MIN |     |          |                  |

| UNITS | SCALE  | COUNT | DESCRIPTION OF REVISIONS | DESIGNED | CHECKED | DATE |
|-------|--------|-------|--------------------------|----------|---------|------|
| mm    | 20 : 1 | △     |                          |          |         |      |

|                                      |                          |          |             |                  |
|--------------------------------------|--------------------------|----------|-------------|------------------|
| <b>HRS</b> HIROSE ELECTRIC CO., LTD. | APPROVED : HS. OKAWA     | 16.06.22 | DRAWING NO. | EDC-367526-00-00 |
|                                      | CHECKED : YN. TAKASHITA  | 16.06.21 | PART NO.    | DF58-2830SCF     |
|                                      | DESIGNED : TH. YOSHIZAWA | 16.06.21 | CODE NO.    | CL666-1011-0-00  |
|                                      | DRAWN : TH. YOSHIZAWA    | 16.06.21 |             |                  |

## X-ON Electronics

Largest Supplier of Electrical and Electronic Components

*Click to view similar products for [Headers & Wire Housings](#) category:*

*Click to view products by [Hirose](#) manufacturer:*

Other Similar products are found below :

[892-18-020-10-001101](#) [58102-G61-06LF](#) [582553-1](#) [0009485154](#) [009176003701906](#) [0050291907](#) [LY20-4P-DT1-P1E-BR](#) [02.125.8002.8](#)  
[609-3404](#) [61062-3](#) [622-0430](#) [622-3653LF](#) [63453-116](#) [636-1030](#) [636-1427](#) [636-3427](#) [636-4007](#) [641938-9](#) [641991-4](#) [644827-2](#) [65817-010LF](#)  
[65817-015LF](#) [65863-015LF](#) [66207-023LF](#) [67095-007LF](#) [67601157](#) [68648-049](#) [70.362.1628.0](#) [70-4210](#) [70-4226B](#) [70-4853B](#) [707-5020](#) [707-5028](#) [71.350.2428.0](#) [71918-208LF](#) [71961-016LF](#) [733-134](#) [733-162](#) [754199-000](#) [760-3052](#) [787-8014-00](#) [79531-3000](#) [FCN-360C032-B](#) [FCN-367T-T012/H](#) [FCN-723D010/2](#) [80.063.4001.1](#) [800-90-001-10-001000](#) [800-90-010-10-002000](#) [801-43-002-10-013000](#) [801-43-006-10-002000](#)