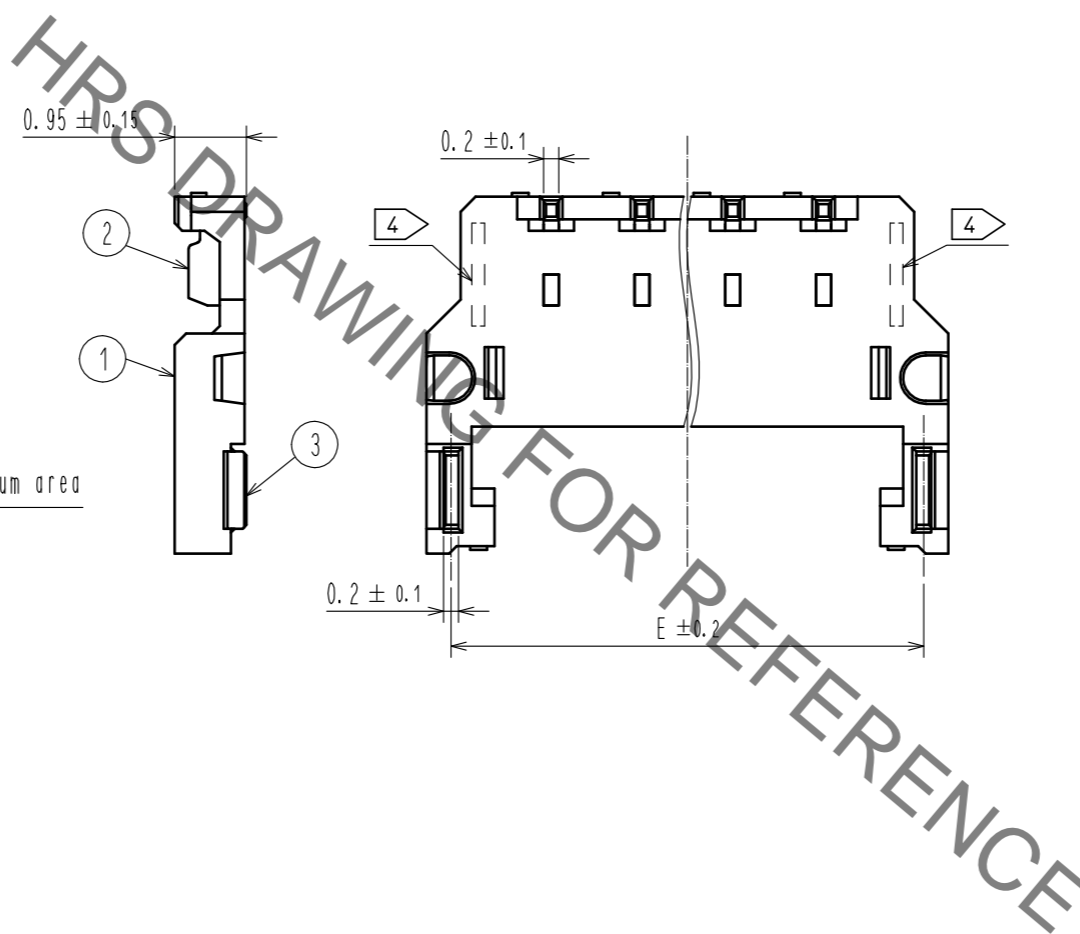
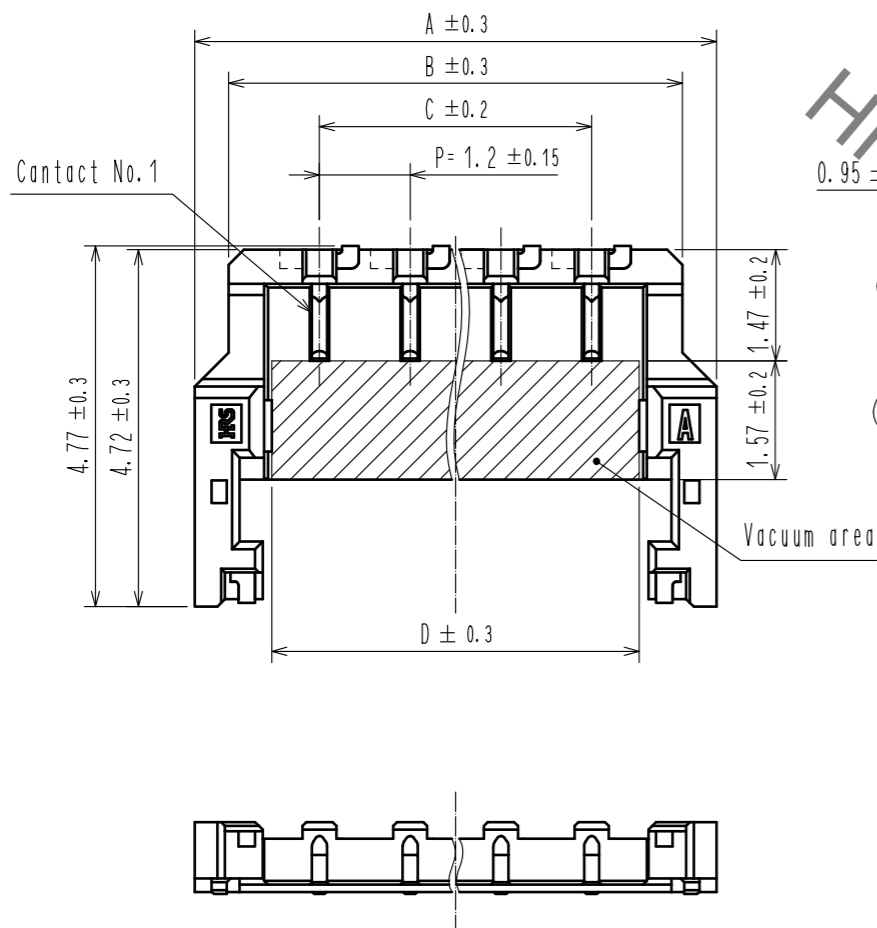
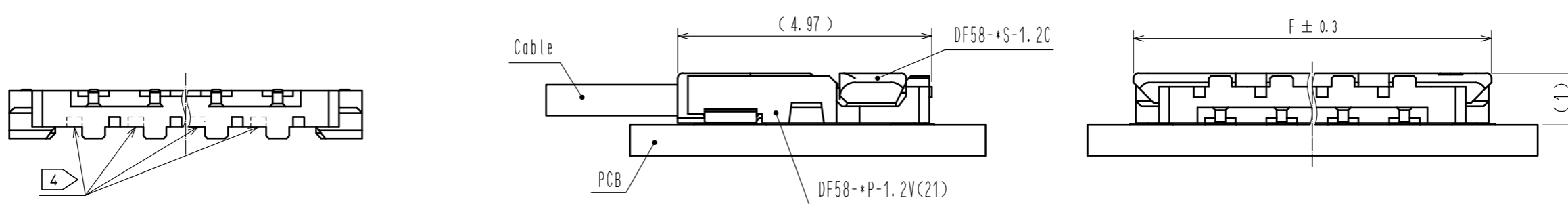
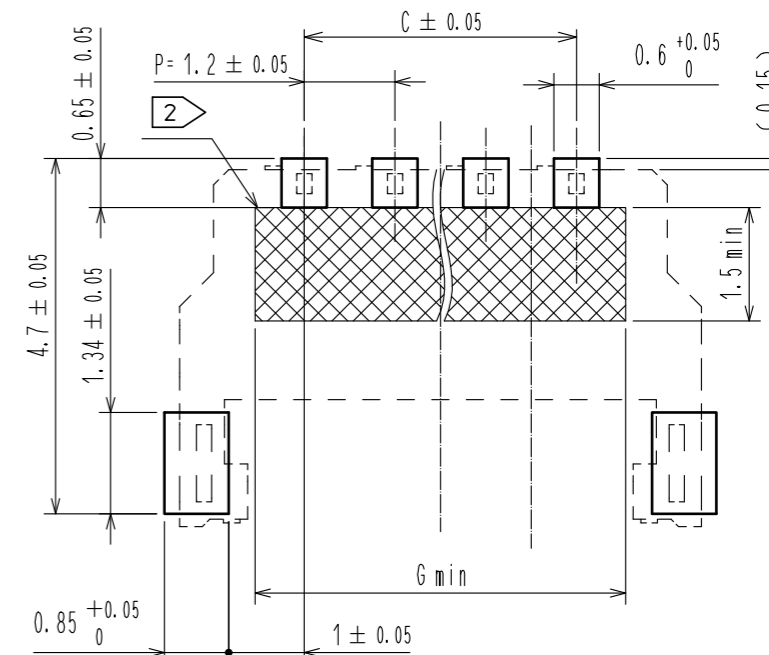


Aug.1.2021 Copyright 2021 HIROSE ELECTRIC CO., LTD. All Rights Reserved.
In case of consideration for using Automotive equipment / device which demand high reliability, kindly contact our sales window correspondents.

Mating figure



Recommended PCB layout
Recommended metal mask (Thickness : 0.1mm)



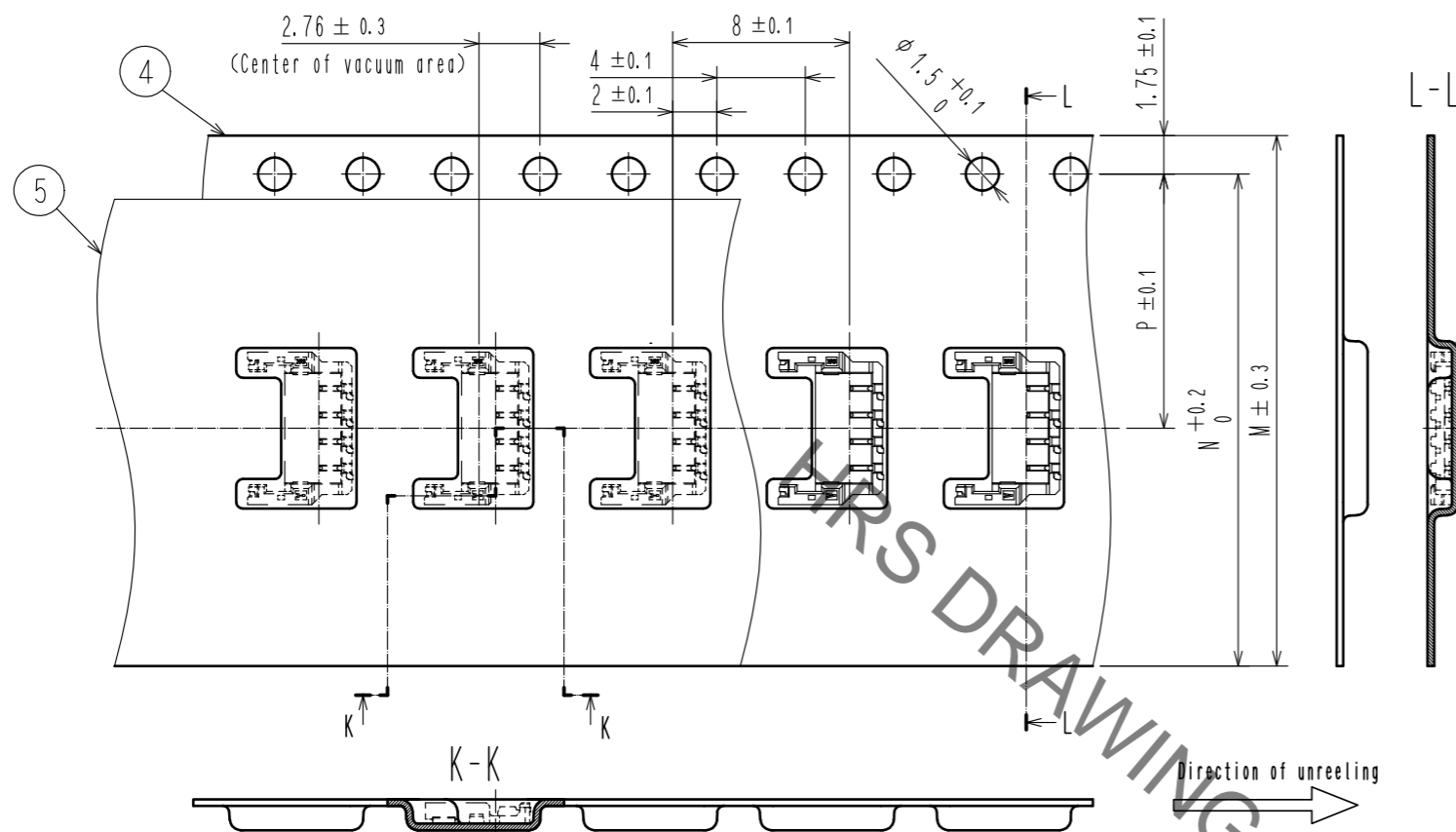
CODE No.	PART No.	NUMBER OF CONTACTS	A	B	C	D	E	F	G
CL666-1001-0-00	DF58-2P-1.2V(21)	2	4.5	3.6	1.2	2.4	3.85	4.6	2.5
CL666-1002-0-00	DF58-3P-1.2V(21)	3	5.7	4.8	2.4	3.6	5.05	5.8	3.7
CL666-1003-0-00	DF58-4P-1.2V(21)	4	6.9	6.0	3.6	4.8	6.25	7.0	4.9
CL666-1005-0-00	DF58-6P-1.2V(21)	6	9.3	8.4	6.0	7.2	8.65	9.4	7.3

- Notes
- Lead co-planarity shall be 0.1mm MAX.
 - area indicated must be free of conductive traces or the conductive traces must be covered by resist film.
 - Please consult hirose when the product is monuted to FPC.
 - Only for DF58-6P-1.2V(##), lightening hole in the indicated area .

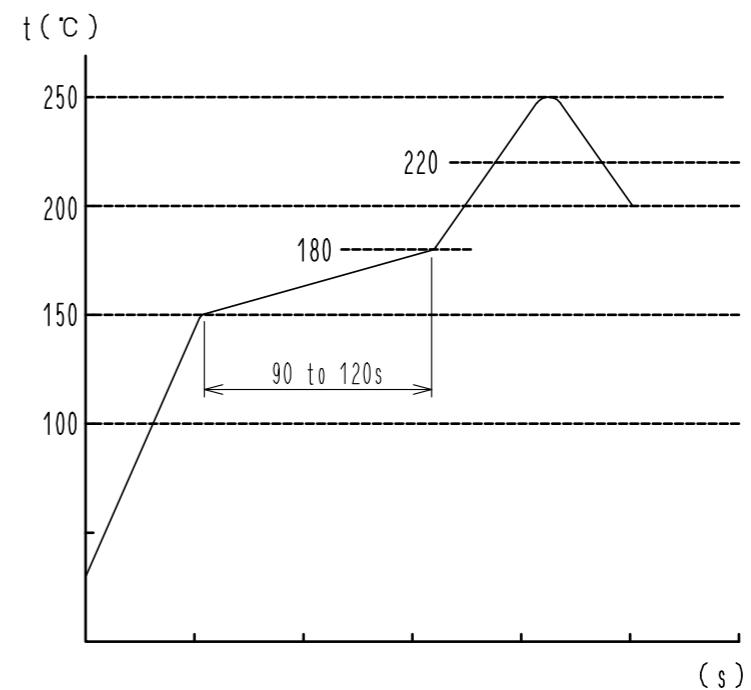
3	Copper alloy	Surface : Tin plating 1 μm MIN Under plating : Nickel plating 0.5 μm MIN			
2	Copper alloy	Surface : Tin plating 1 μm MIN Under plating : Nickel plating 0.5 μm MIN	6	PS	Reel . Black
			5	Polyester	Clear [Cover tape]
1	LCP	UL94V-0, Black	4	PS	Clear [Embossed carrier tape]
NO.	MATERIAL	FINISH . REMARKS	NO.	MATERIAL	FINISH . REMARKS
UNITS		SCALE	COUNT	DESCRIPTION OF REVISIONS	
mm		10 : 1		DESIGNED	CHECKED
HRS HIROSE ELECTRIC CO., LTD.		APPROVED : HS. OKAWA	16.06.22	DRAWING NO. EDC-371175-00-00	
		CHECKED : YN. TAKASHITA	16.06.21	PART NO. DF58-*P-1.2V(21)	
		DESIGNED : TH. YOSHIZAWA	16.06.21	CODE NO. CL666-	
		DRAWN : TH. YOSHIZAWA	16.06.21		

Aug.1.2021 Copyright 2021 HIROSE ELECTRIC CO., LTD. All Rights Reserved.
In case of consideration for using Automotive equipment / device which demand high reliability, kindly contact our sales window correspondents.

Drawing for packing (FREE)



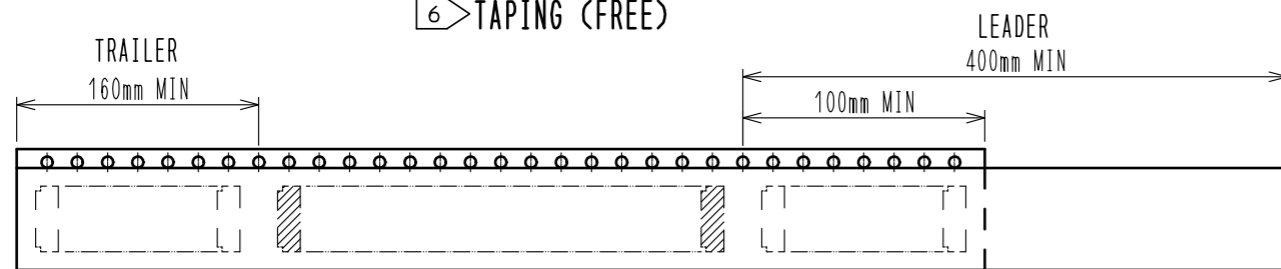
Reflow temperature profile using lead-free solder paste (Reference)



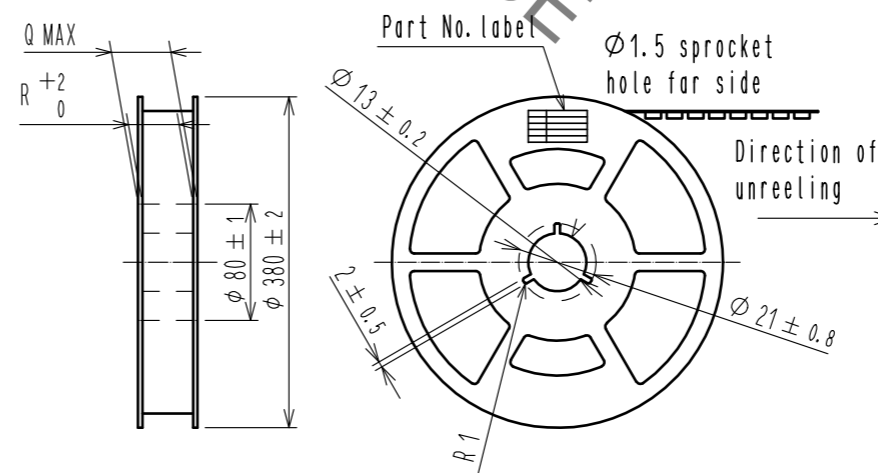
Number of reflow cycles 2 cycles max.
The temperature is measured in the terminal lead part.

Additional factors, such as solder paste type, PCB size and other mounted components could affect the profile, therefore, a thorough evaluation of mounting condition is required prior to production. Temperature is measured at contact lead.

TAPING (FREE)



Style and dimension of reel (Free)



Detail of part No. label

生産月日	年 月 日
図 番	CL666-****-21
品 名	DF58-*P-1.2V(21)
納入数量	6000 KO
納入者	ヒロセ電機(株)

Supplier
Quantity
Part No.
Code No.
Date of manufactured

CODE No.	PART No.	NUMBER OF CONTACTS	M	N	P	Q	R
CL666-1001-0-00	DF58-2P-1.2V(21)	2	16.0	14.25	7.5	22.4	16.4
CL666-1002-0-00	DF58-3P-1.2V(21)	3	16.0	14.25	7.5	22.4	16.4
CL666-1003-0-00	DF58-4P-1.2V(21)	4	24.0	22.25	11.5	30.4	24.4
CL666-1005-0-00	DF58-6P-1.2V(21)	6	24.0	22.25	11.5	30.4	24.4

NOTES 5 . 1 reel : 6000 connectors
6 Reel to JIS C 0806. (Packaging of components for automatic handling)
7 . The dimensions in parentheses are for reference.

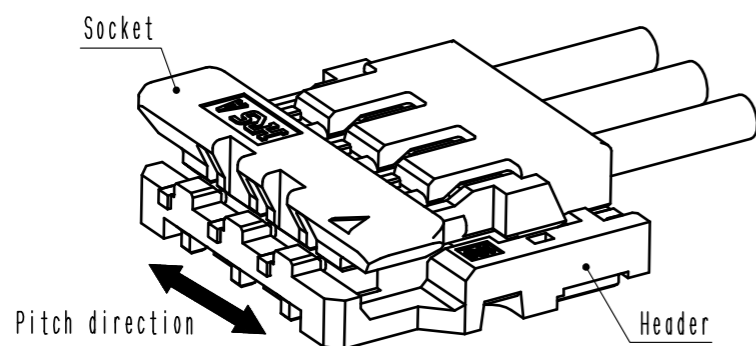
HRS	DRAWING NO.	EDC-371175-00-00
	PART NO.	DF58-*P-1.2V(21)
	CODE NO.	CL666-

Aug.1.2021 Copyright 2021 HIROSE ELECTRIC CO., LTD. All Rights Reserved.
In case of consideration for using Automotive equipment / device which demand high reliability, kindly contact our sales window correspondents.

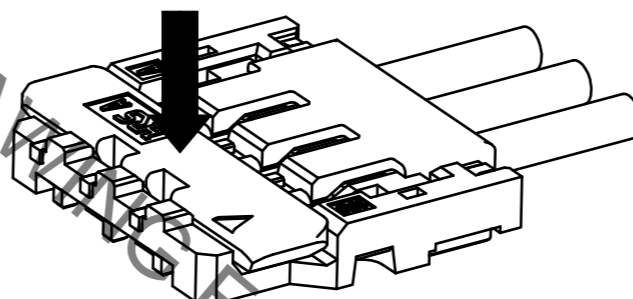
DF58 Series Mating / Unmating Operation Instruction

Mating

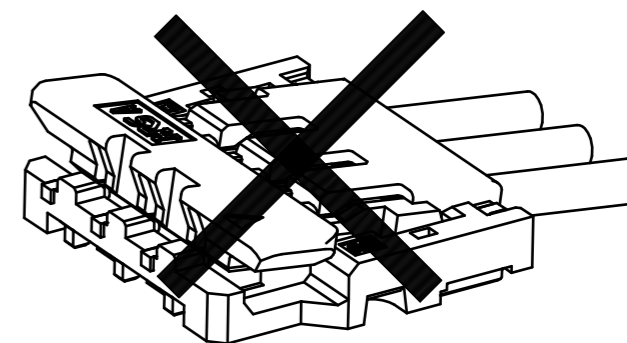
① By positioning the convexity of the socket sides to the header concavity, align the centers of the socket and the header in pitch direction.



② Slightly press the socket down at the center of the socket.

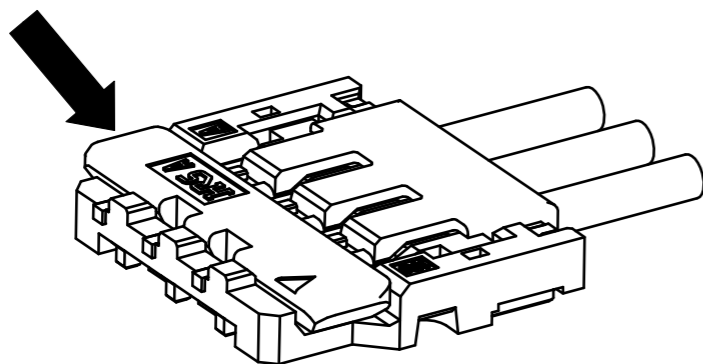


③ Press down at the lever side with stabilizing the cable side to insert. Mating completes.

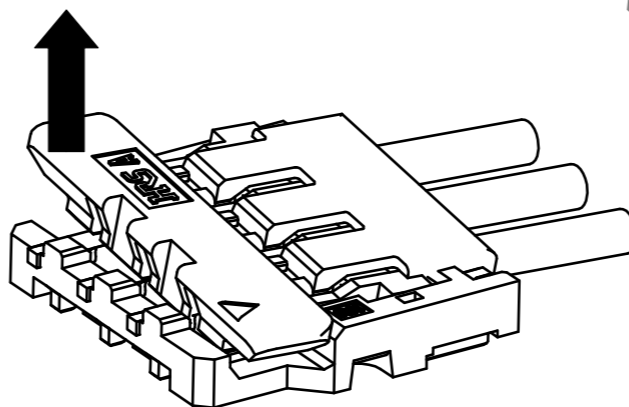


Unmating

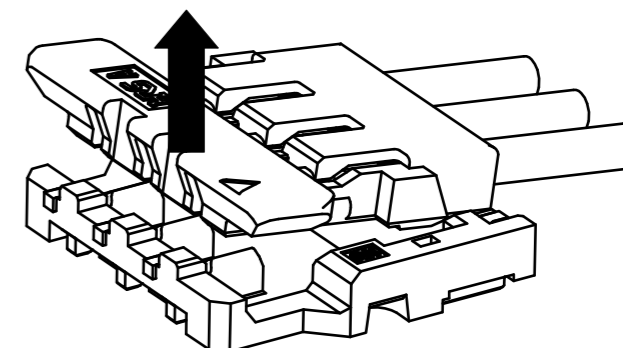
① Hook the lever with finger nail.
(Possible with one side)



② Lift up to the upper direction and friction lock is released.



③ Lift it up to the upper direction more, and removal completes.



HRS DRAWING FOR REFERENCE

HRS	DRAWING NO.	EDC-371175-00-00
	PART NO.	DF58-*P-1.2V(21)
	CODE NO.	CL666-
		3/3

X-ON Electronics

Largest Supplier of Electrical and Electronic Components

Click to view similar products for [Headers & Wire Housings](#) category:

Click to view products by [Hirose](#) manufacturer:

Other Similar products are found below :

[892-18-020-10-001101](#) [58102-G61-06LF](#) [582553-1](#) [0009485154](#) [009176003701906](#) [0050291907](#) [LY20-4P-DT1-P1E-BR](#) [02.125.8002.8](#)
[609-3404](#) [61062-3](#) [622-0430](#) [622-3653LF](#) [63453-116](#) [636-1030](#) [636-1427](#) [636-3427](#) [636-4007](#) [641938-9](#) [641991-4](#) [644827-2](#) [65817-010LF](#)
[65817-015LF](#) [65863-015LF](#) [66207-023LF](#) [67095-007LF](#) [67601157](#) [68648-049](#) [70.362.1628.0](#) [70-4210](#) [70-4226B](#) [70-4853B](#) [707-5020](#) [707-](#)
[5028](#) [71.350.2428.0](#) [71918-208LF](#) [71961-016LF](#) [733-134](#) [733-162](#) [754199-000](#) [760-3052](#) [787-8014-00](#) [79531-3000](#) [FCN-360C032-B](#) [FCN-](#)
[367T-T012/H](#) [FCN-723D010/2](#) [80.063.4001.1](#) [800-90-001-10-001000](#) [800-90-010-10-002000](#) [801-43-002-10-013000](#) [801-43-006-10-002000](#)