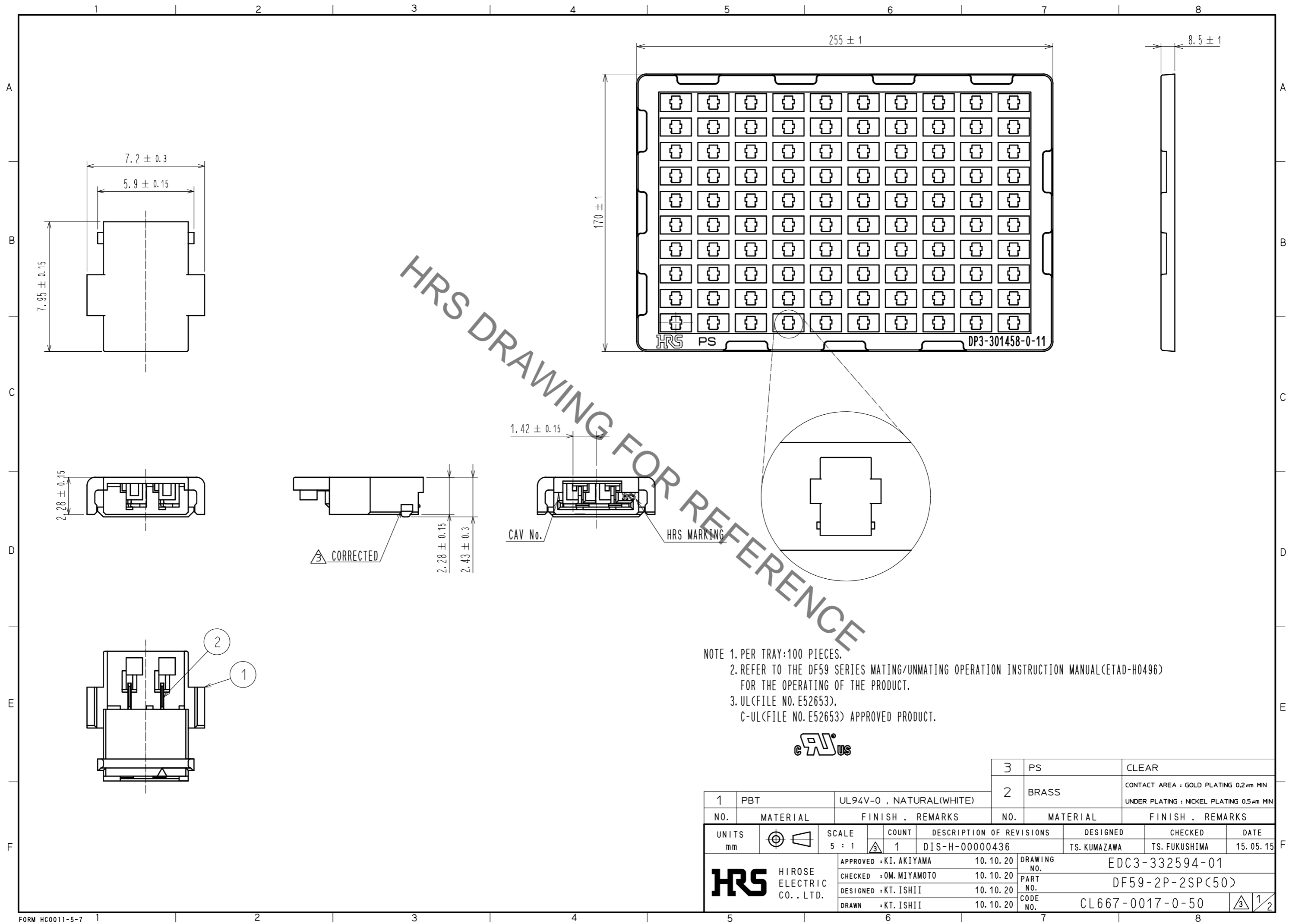


Sep.1.2021 Copyright 2021 HIROSE ELECTRIC CO., LTD. All Rights Reserved.  
In case of consideration for using Automotive equipment / device which demand high reliability, kindly contact our sales window correspondents.



- NOTE 1. PER TRAY:100 PIECES.  
 2. REFER TO THE DF59 SERIES MATING/UNMATING OPERATION INSTRUCTION MANUAL(ETAD-H0496) FOR THE OPERATING OF THE PRODUCT.  
 3. UL(FILE NO. E52653).  
 C-UL(FILE NO. E52653) APPROVED PRODUCT.



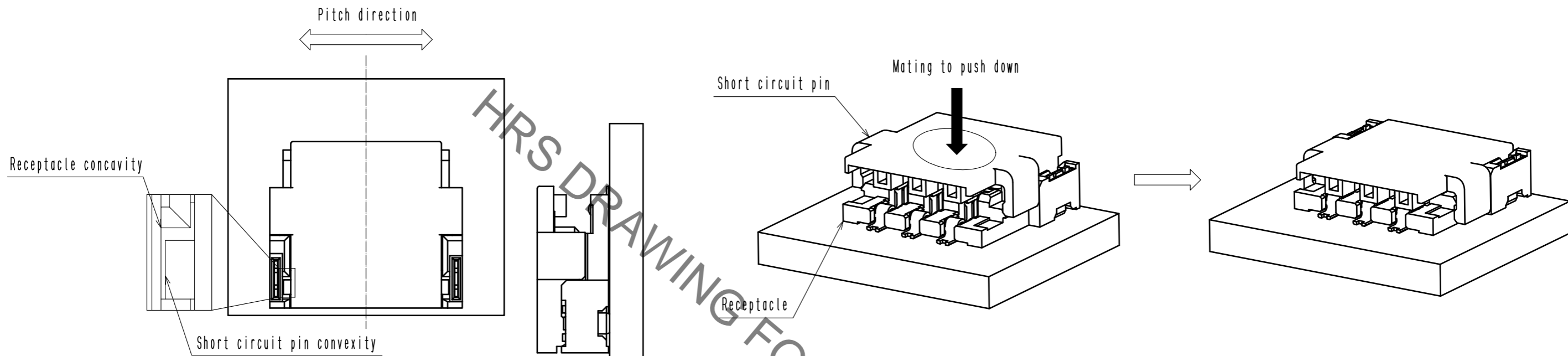
1	PBT	UL94V-0 , NATURAL(WHITE)	3	PS	CLEAR		
			2	BRASS	CONTACT AREA : GOLD PLATING 0.2μm MIN UNDER PLATING : NICKEL PLATING 0.5μm MIN		
NO.	MATERIAL	FINISH . REMARKS	NO.	MATERIAL	FINISH . REMARKS		
UNITS mm		SCALE 5 : 1	COUNT 1	DESCRIPTION OF REVISIONS DIS-H-00000436	DESIGNED TS. KUMAZAWA	CHECKED TS. FUKUSHIMA	DATE 15. 05. 15
<b>HRS</b>	HIROSE ELECTRIC CO., LTD.	APPROVED : KI. AKIYAMA 10. 10. 20	CHECKED : OM. MIYAMOTO 10. 10. 20	DESIGNED : KT. ISHII 10. 10. 20	DRAWN : KT. ISHII 10. 10. 20	DRAWING NO. EDC3-332594-01	PART NO. DF59-2P-2SP(50)
						CODE NO. CL667-0017-0-50	1/2

# Operation Procedures for Crimp Socket

## 【 Mating 】

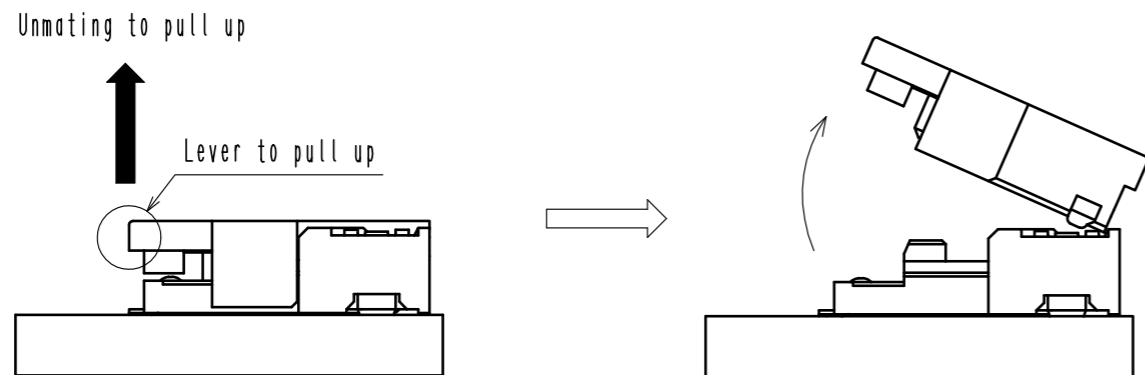
1. By positioning the convexity of the short circuit pin sides to the receptacle concavity, align the centers of the short circuit pin and the receptacle in pitch direction.

2. Press down at the center surface of short circuit pin.  
 Note>Press down until the short circuit pin touches to the receptacle.



## 【 Unmating 】

1. Hook the lever with finger and lift up to the upper direction for unlock.



HRS DRAWING FOR REFERENCE

<b>HRS</b>	図番:	EDC3-332594-01	3/2
	製品名:	DF59-2P-2SP(50)	
	製品コード:	CL667-0017-0-50	

Sep.1.2021 Copyright 2021 HIROSE ELECTRIC CO., LTD. All Rights Reserved. In case of consideration for using Automotive equipment / device which demand high reliability, kindly contact our sales window correspondents.

## X-ON Electronics

Largest Supplier of Electrical and Electronic Components

*Click to view similar products for [Lighting Connectors](#) category:*

*Click to view products by [Hirose](#) manufacturer:*

Other Similar products are found below :

[293300-7](#) [293660-5](#) [CNX\\_H03\\_NTP](#) [30-9767-BU](#) [3605](#) [3-21030-1](#) [ZCH-110-RGB-I](#) [503471-0290](#) [ZCH-110-RGB-J](#) [217-0716-200](#)  
[1954563-1](#) [1-293657-2](#) [2834036-1](#) [2834037-1](#) [1-2213222-4](#) [2-2213222-4](#) [2213222-4](#) [2834122-3](#) [2834122-5](#) [2834135-2](#) [FLA-R4142-30](#)  
[FLA-R4162-30](#) [FLA-R2142-30](#) [FLA-R2162-30](#) [FLA-R2161-30](#) [FLA-R0161-30](#) [FLA-R0141-30](#) [FLA-R0142-30](#) [FLA-R0162-30](#) [FLA-C00-](#)  
[00](#) [DGA00010553](#) [CNXV04NTP](#) [104128-0610](#) [503485-0000 \(Cut Strip\)](#) [503485-0000 \(Loose Piece\)](#) [503485-0000 \(MINI Reel\)](#) [1-2834074-2](#)  
[1-2834074-3](#) [1357-AC PLUG W2C \(CHINA\)](#) [1357-AC PLUG W2 \(USA\)](#) [104266-0110](#) [CNXV02NTP](#) [2106212-1](#) [2-2834074-2](#) [104266-](#)  
[0210](#) [293470-1](#) [293651-2](#) [293651-4](#) [1-2834006-2](#) [293651-1](#)