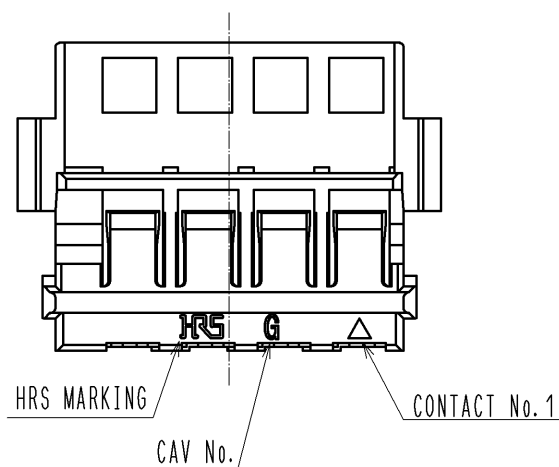
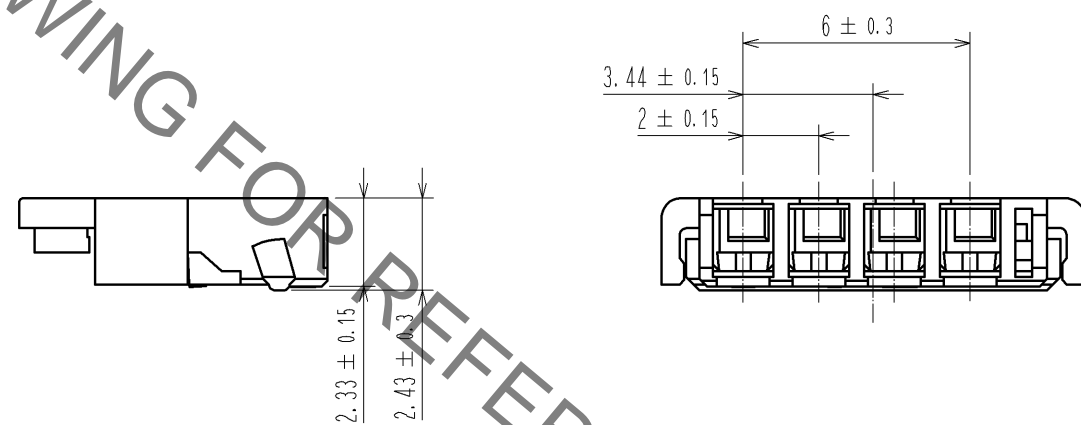
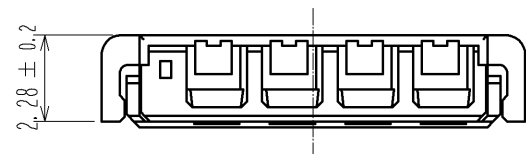
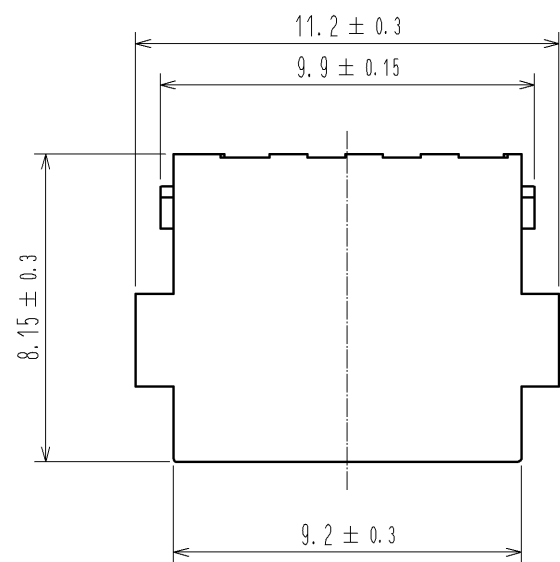


Sep.1.2021 Copyright 2021 HIROSE ELECTRIC CO., LTD. All Rights Reserved.  
 In case of consideration for using Automotive equipment / device which demand high reliability, kindly contact our sales window correspondents.



HRS DRAWING FOR REFERENCE

- NOTE1. PER PACK : 100 PIECES  
 2. REFER TO THE DF59 SERIES MATING/UNMATING OPERATION INSTRUCTION MANUAL(ETAD-H0496) FOR THE OPERATING OF THE PRODUCT.  
 ⚠ 3. UL(FILE NO. E52653).  
 C-UL(FILE NO. E52653) APPROVED PRODUCT.



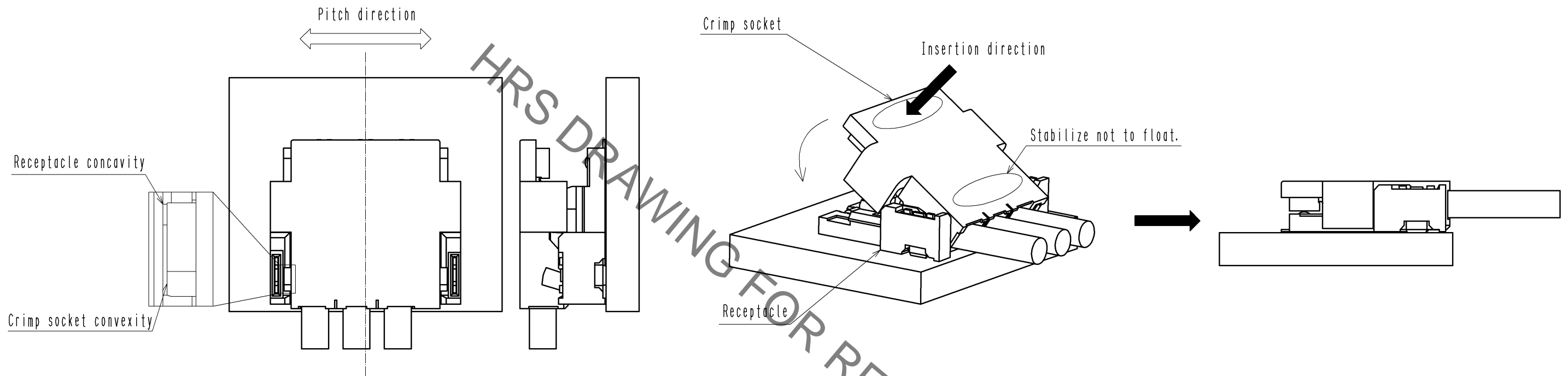
NO.		MATERIAL		FINISH . REMARKS		NO.		MATERIAL		FINISH . REMARKS	
						1		PBT		UL94V-0. NATURAL(WHITE)	
UNITS	⊕	SCALE	COUNT	DESCRIPTION OF REVISIONS			DESIGNED	CHECKED	DATE		
mm		5 : 1	1	DIS-H-006828			MI. SAKIMURA	HK. UMEHARA	12. 04. 20		
<b>HRS</b> HIROSE ELECTRIC CO., LTD.		APPROVED	: KI. AKIYAMA	11. 03. 25	DRAWING NO.		EDC3-331128-01				
		CHECKED	: OM. MIYAMOTO	11. 03. 25	PART NO.		DF59-4P-2C				
		DESIGNED	: KT. ISHII	11. 03. 25	CODE NO.		CL667-0013-0-00				
		DRAWN	: KT. ISHII	11. 03. 25							

# Operation Procedures for Crimp Socket

## 【 Mating 】

1. By positioning the convexity of the crimp socket sides to the receptacle concavity, align the centers of the crimp socket and the receptacle in pitch direction.

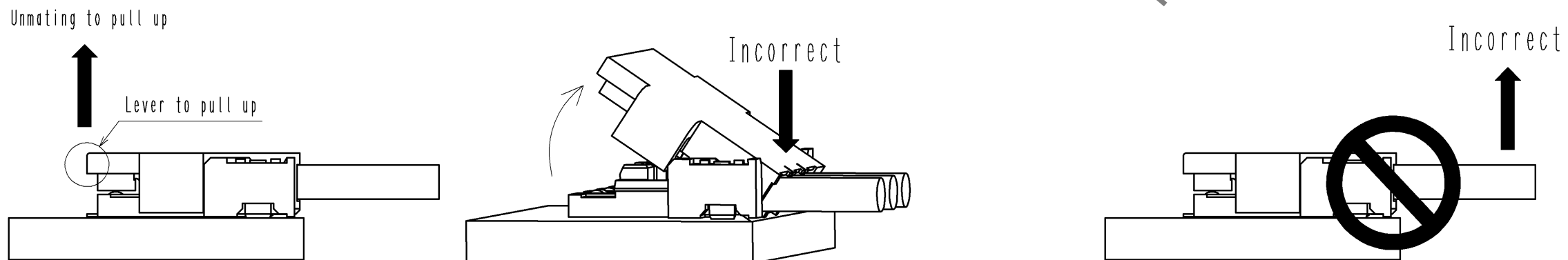
2. Keep pressing down at the cable side and also apply force to the lever side to mate.  
(If the cable side floats before mating is finished, the lock may not work.)

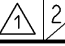


## 【 Unmating 】

1. Hook the lever with finger and lift up to the upper direction for unlock.  
Note) When lifting up the lever, do not apply downward force to the cable side of the crimp socket. This could damage the connector.

Make sure to use the lever for removal operation.  
If the cable is pull for removal, it could break the cable or damage the connector.



<b>HRS</b>	図番:	EDC3-331128-01	 2/2
	製品名:	DF59-4P-2C	
	製品コード:	CL667-0013-0-00	

Sep.1.2021 Copyright 2021 HIROSE ELECTRIC CO., LTD. All Rights Reserved.  
In case of consideration for using Automotive equipment / device which demand high reliability, kindly contact our sales window correspondents.

## X-ON Electronics

Largest Supplier of Electrical and Electronic Components

*Click to view similar products for [Lighting Connectors](#) category:*

*Click to view products by [Hirose](#) manufacturer:*

Other Similar products are found below :

[293300-7](#) [293660-5](#) [CNX\\_H03\\_NTP](#) [30-9767-BU](#) [3605](#) [3-21030-1](#) [ZCH-110-RGB-I](#) [503471-0290](#) [ZCH-110-RGB-J](#) [217-0716-200](#)  
[1954563-1](#) [1-293657-2](#) [2834036-1](#) [2834037-1](#) [1-2213222-4](#) [2-2213222-4](#) [2213222-4](#) [2834122-3](#) [2834122-5](#) [2834135-2](#) [FLA-R4142-30](#)  
[FLA-R4162-30](#) [FLA-R2142-30](#) [FLA-R2162-30](#) [FLA-R2161-30](#) [FLA-R0161-30](#) [FLA-R0141-30](#) [FLA-R0142-30](#) [FLA-R0162-30](#) [FLA-C00-](#)  
[00](#) [DGA00010553](#) [CNXV04NTP](#) [104128-0610](#) [503485-0000 \(Cut Strip\)](#) [503485-0000 \(Loose Piece\)](#) [503485-0000 \(MINI Reel\)](#) [1-2834074-2](#)  
[1-2834074-3](#) [1357-AC PLUG W2C \(CHINA\)](#) [1357-AC PLUG W2 \(USA\)](#) [104266-0110](#) [CNXV02NTP](#) [2106212-1](#) [2-2834074-2](#) [104266-](#)  
[0210](#) [293470-1](#) [293651-2](#) [293651-4](#) [1-2834006-2](#) [293651-1](#)