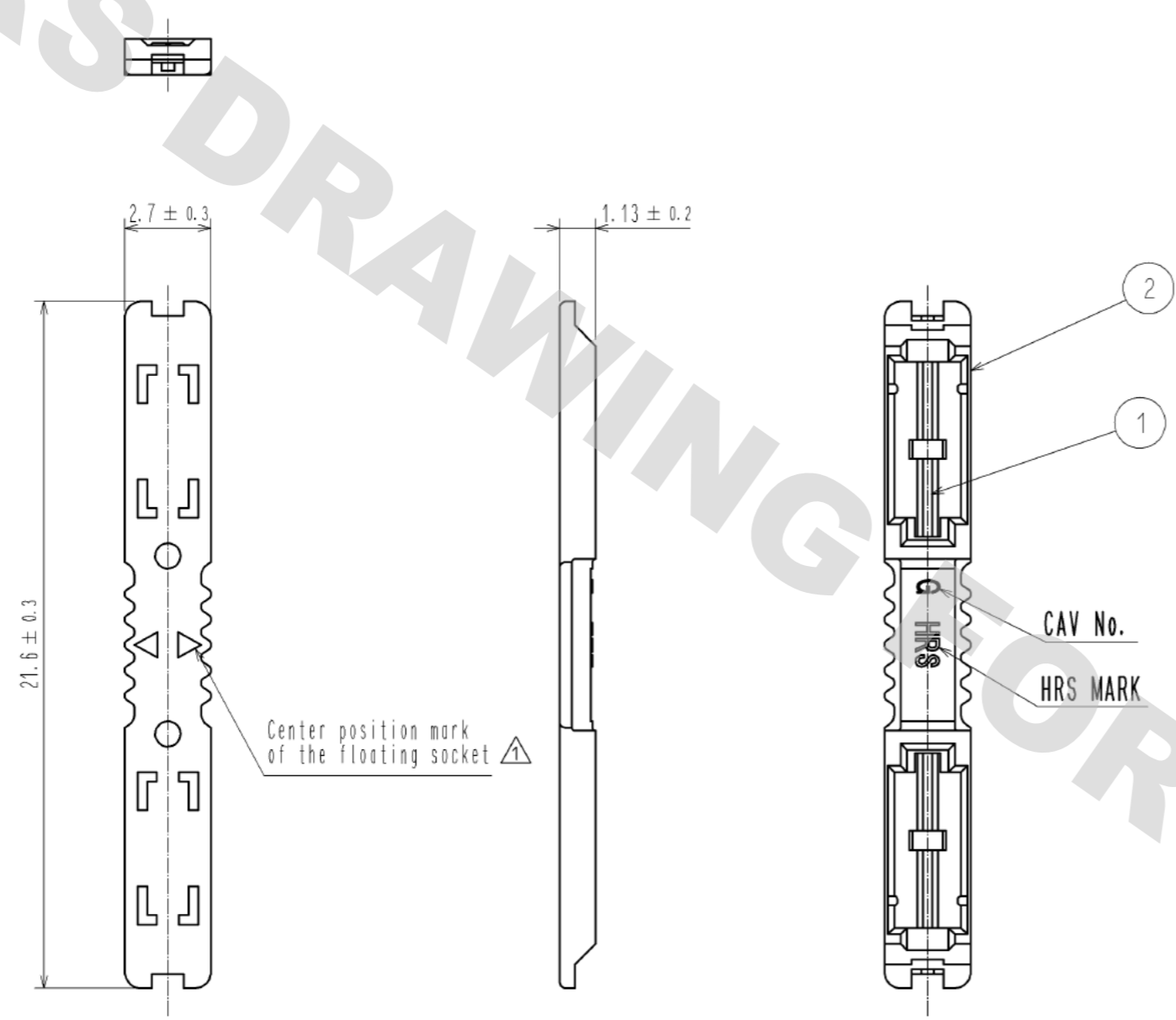


DRAWING FOR REFERENCE: This is subject to change without notice  
05/31/2013



NOTE1. REFER TO THE DF59S SERIES MATING/UNMATING OPERATION INSTRUCTION MANUAL (ETAD-H0651) FOR THE OPERATING OF THE PRODUCT.

NO.	MATERIAL	FINISH . REMARKS	NO.	MATERIAL	FINISH . REMARKS
2	LCP	UL94V-0. BEIGE	5	PS	REEL. BLACK
1	BRASS	SURFACE:TIN PLATING 1 $\mu$ m MIN	4	POLYESTER	CLEAR(COVER TAPE)
		UNDER PLATING:Cu PLATING 0.3 $\mu$ m MIN	3	PS	CLEAR(EMBOSSED CARRIER TAPE)

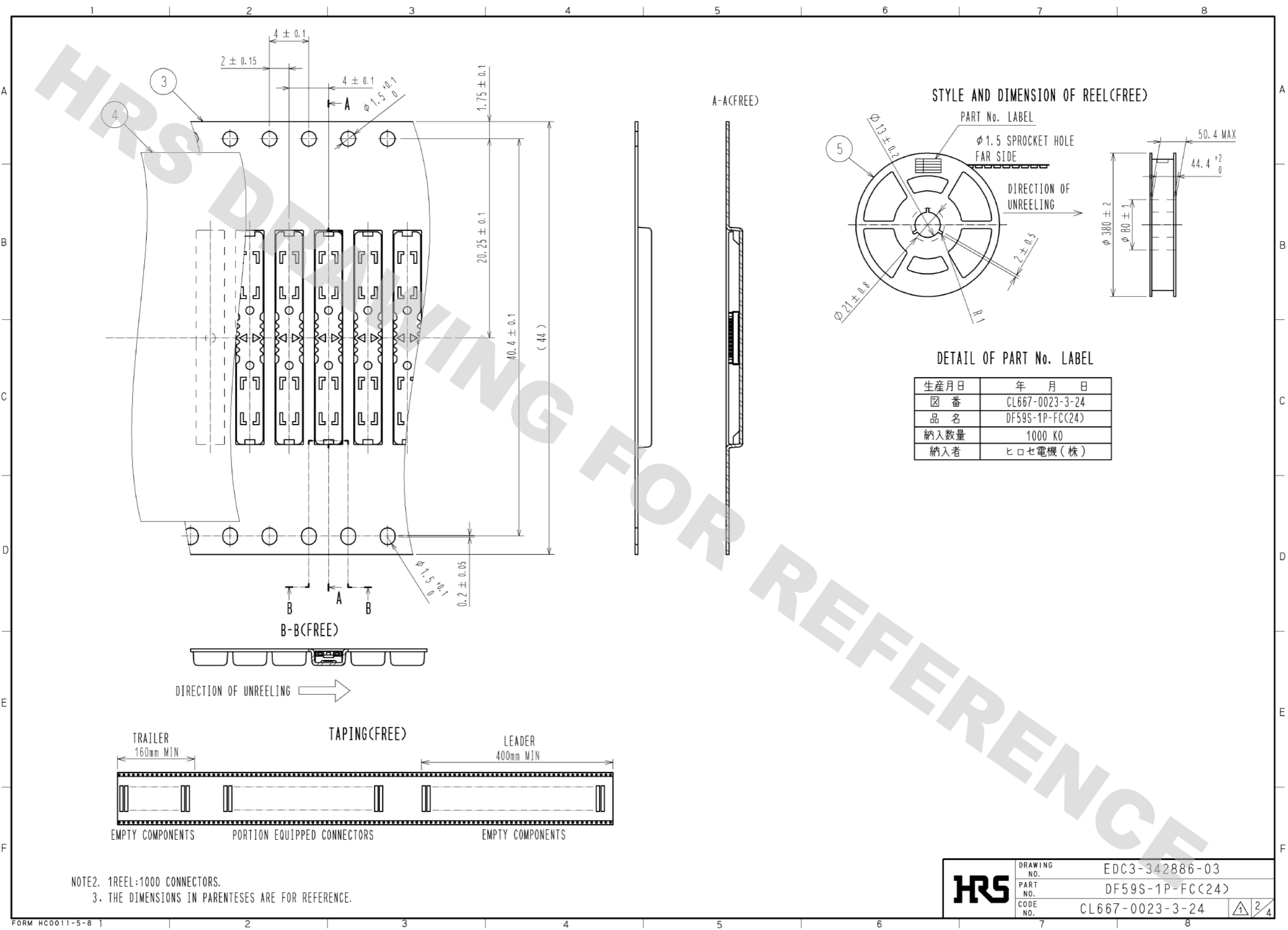
  

UNITS	SCALE	COUNT	DESCRIPTION OF REVISIONS	DESIGNED	CHECKED	DATE
mm	5 : 1	1	DIS-H-007568	MI. SAKIMURA	TS. KUMAZAWA	13. 01. 23

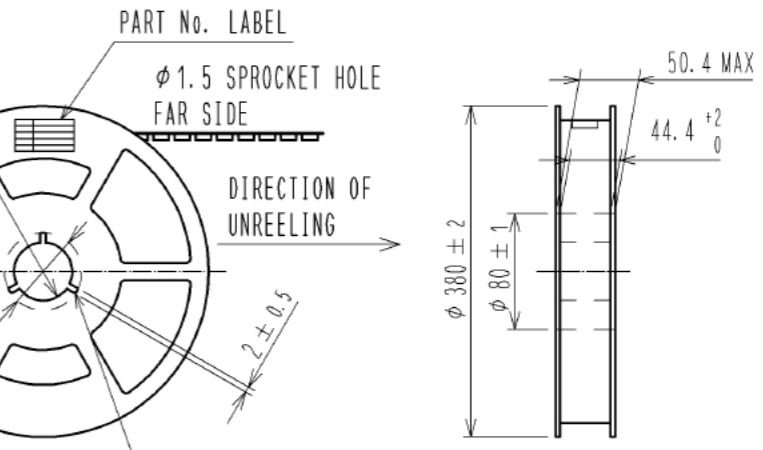
  

<b>HRS</b> HIROSE ELECTRIC CO., LTD.	APPROVED : KI. AKIYAMA	12. 11. 14	DRAWING NO.	EDC3-342886-03
	CHECKED : OM. MIYAMOTO	12. 11. 14	PART NO.	DF59S-1P-FC(24)
	DESIGNED : KT. ISHII	12. 11. 13	CODE NO.	CL667-0023-3-24
	DRAWN : KT. ISHII	12. 11. 13		

DRAWING FOR REFERENCE: This is subject to change without notice  
05/31/2013



STYLE AND DIMENSION OF REEL(FREE)



DETAIL OF PART No. LABEL

生産月日	年 月 日
図 番	CL667-0023-3-24
品 名	DF59S-1P-FC(24)
納入数量	1000 K0
納入者	ヒロセ電機(株)

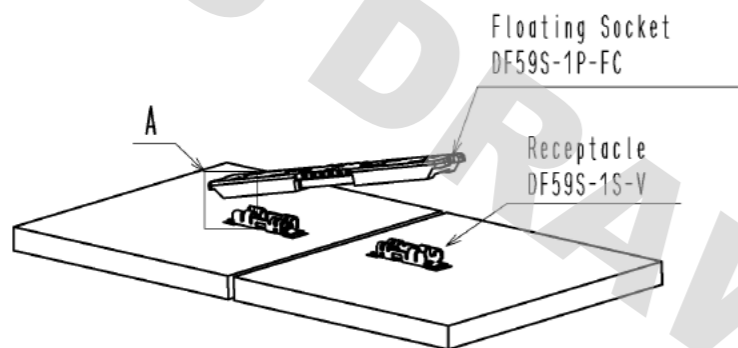
NOTE2. 1REEL:1000 CONNECTORS.  
3. THE DIMENSIONS IN PARENTESES ARE FOR REFERENCE.

<b>HRS</b>	DRAWING NO.	EDC3-342886-03
	PART NO.	DF59S-1P-FC(24)
	CODE NO.	CL667-0023-3-24
		$\triangle$ 2/4

# DF59S Operation Procedures for Floating Socket

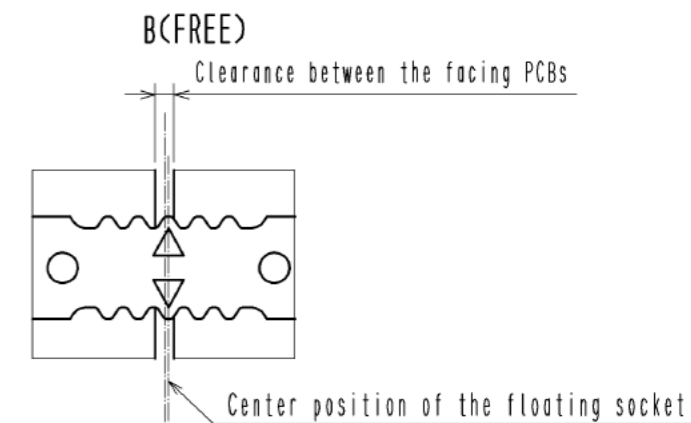
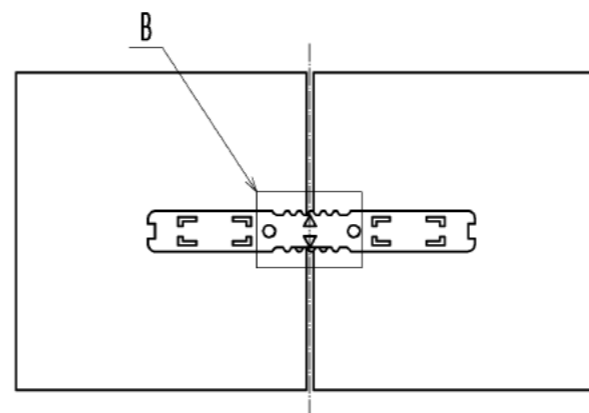
## «Mating»

1. Place the floating socket at the tip on the receptacle mating point.



2. Align the center position of floating socket to the center position of the clearance between the facing PCBs in a line.

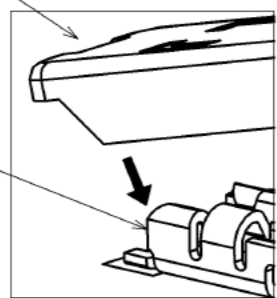
Press down at the center surface of the floating socket.



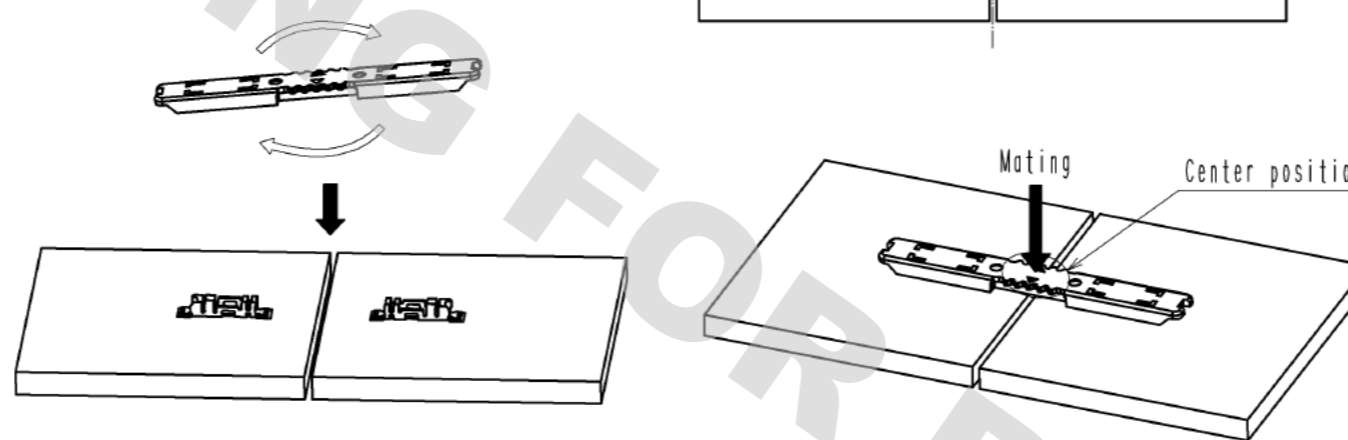
These center positions are in the same line.

Floating socket at the tip A(FREE)

Receptacle mating point

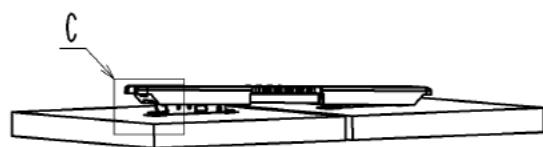


※Floating socket can be mating both directions.



## «Unmating»

1. Hook the lever on either sides of floating socket with finger and lift up to the upper direction for unlock. (Lift up until friction lock is released.)

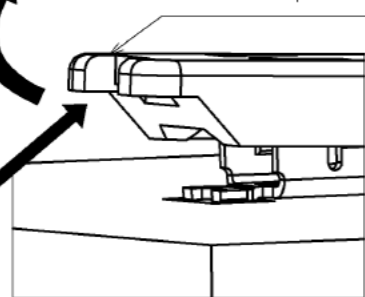


C(FREE)

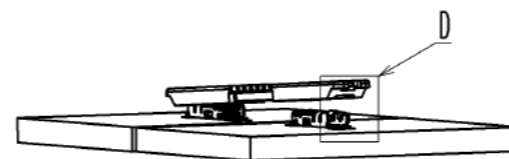
Lever to pull up

Unmating

Finger position



2. After releasing either side, hook the lever on the other side with a finger and lift up to the upper direction, too.

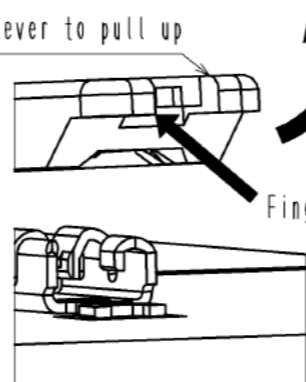


D(FREE)

Lever to pull up

Unmating

Finger position



**HRS**

DRAWING NO.	EDC3-342886-03
PART NO.	DF59S-1P-FC(24)
CODE NO.	CL667-0023-3-24

3/4

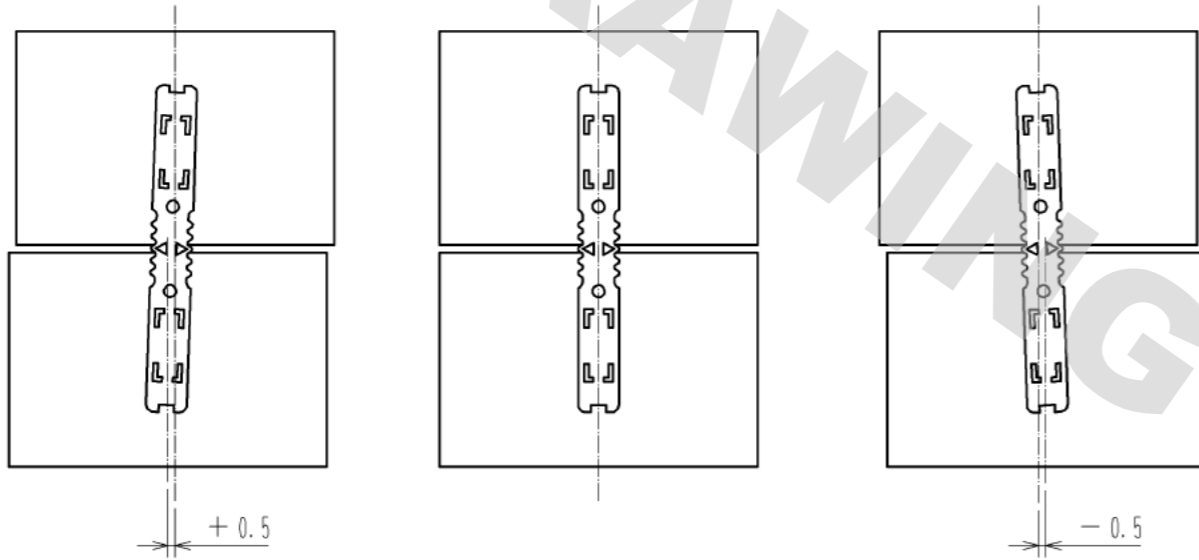
# DF59S Dimension of floating

The dimension of floating at the time of using a floating socket is shown below.  
Please use in the limits of dimension.

## 《Direction of X axis》

The dimension of floating of X direction is shown below.

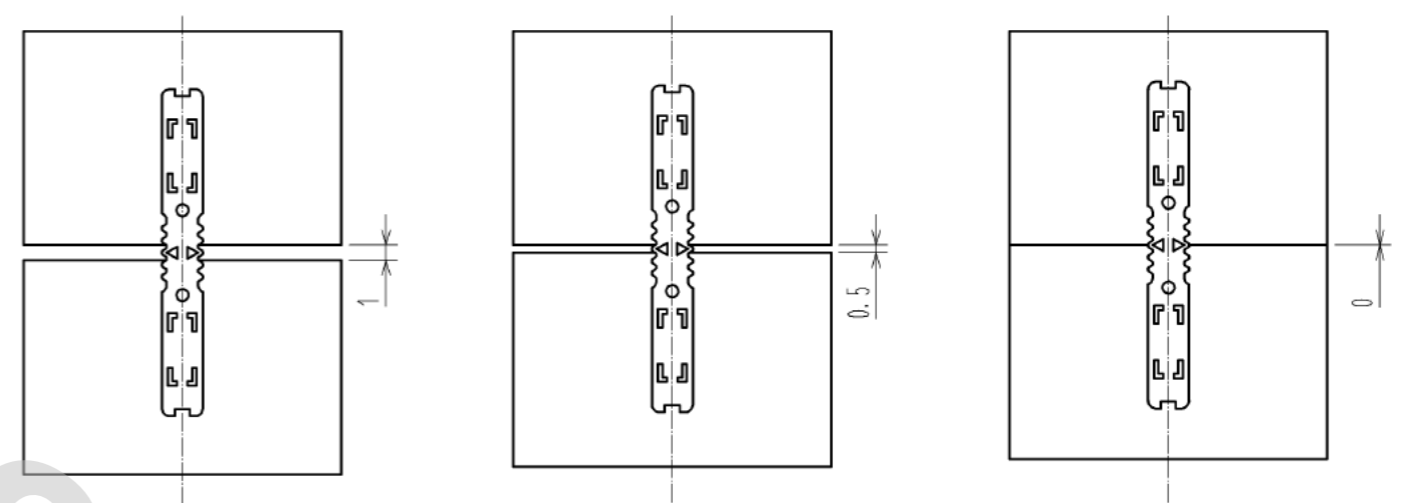
Direction of X axis floating: +0.5mm   
  Normal mating   
  Direction of X axis floating: -0.5mm



## 《Direction of Y axis》

The dimension of floating of Y direction is shown below.

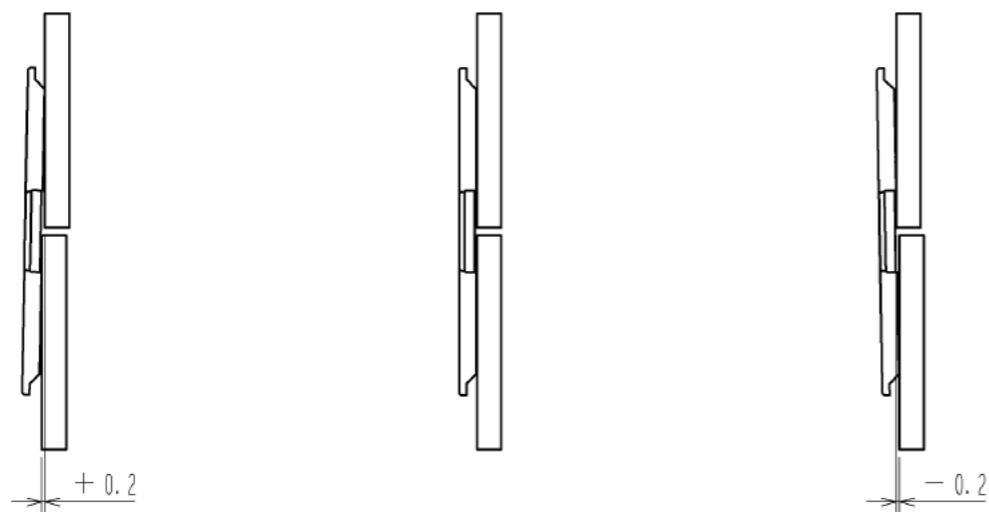
Direction of Y axis floating: +0.5mm   
  Normal mating   
  Direction of Y axis floating: -0.5mm



## 《Direction of Z axis》

The dimension of floating of Z direction is shown below.

Direction of Z axis floating: +0.2mm   
  Normal mating   
  Direction of Z axis floating: -0.2mm



**HRS**

図番: EDC3-342886-03  
 製品名: DF59S-1P-FC(24)  
 製品コード: CL667-0023-3-24

4/4

DRAWING FOR REFERENCE: This is subject to change without notice  
05/31/2013

## X-ON Electronics

Largest Supplier of Electrical and Electronic Components

*Click to view similar products for [Lighting Connectors](#) category:*

*Click to view products by [Hirose](#) manufacturer:*

Other Similar products are found below :

[293300-7](#) [293660-5](#) [CNX\\_H03\\_NTP](#) [30-9767-BU](#) [3605](#) [3-21030-1](#) [ZCH-110-RGB-I](#) [503471-0290](#) [ZCH-110-RGB-J](#) [217-0716-200](#)  
[1954563-1](#) [1-293657-2](#) [2834036-1](#) [2834037-1](#) [1-2213222-4](#) [2-2213222-4](#) [2213222-4](#) [2834122-3](#) [2834122-5](#) [2834135-2](#) [FLA-R4142-30](#)  
[FLA-R4162-30](#) [FLA-R2142-30](#) [FLA-R2162-30](#) [FLA-R2161-30](#) [FLA-R0161-30](#) [FLA-R0141-30](#) [FLA-R0142-30](#) [FLA-R0162-30](#) [FLA-C00-](#)  
[00](#) [DGA00010553](#) [CNXV04NTP](#) [104128-0610](#) [503485-0000 \(Cut Strip\)](#) [503485-0000 \(Loose Piece\)](#) [503485-0000 \(MINI Reel\)](#) [1-2834074-2](#)  
[1-2834074-3](#) [1357-AC PLUG W2C \(CHINA\)](#) [1357-AC PLUG W2 \(USA\)](#) [104266-0110](#) [CNXV02NTP](#) [2106212-1](#) [2-2834074-2](#) [104266-](#)  
[0210](#) [293470-1](#) [293651-2](#) [293651-4](#) [1-2834006-2](#) [293651-1](#)