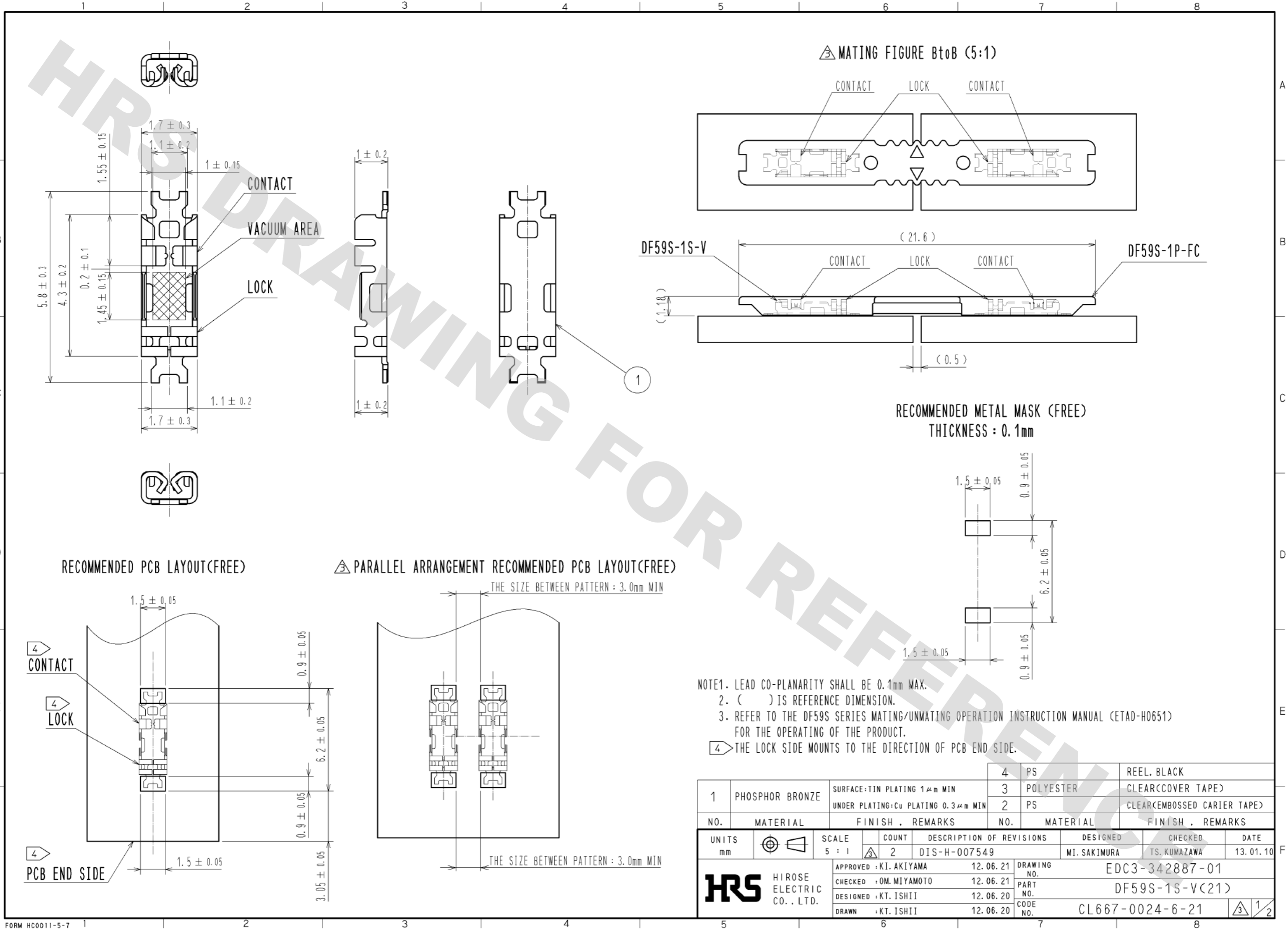


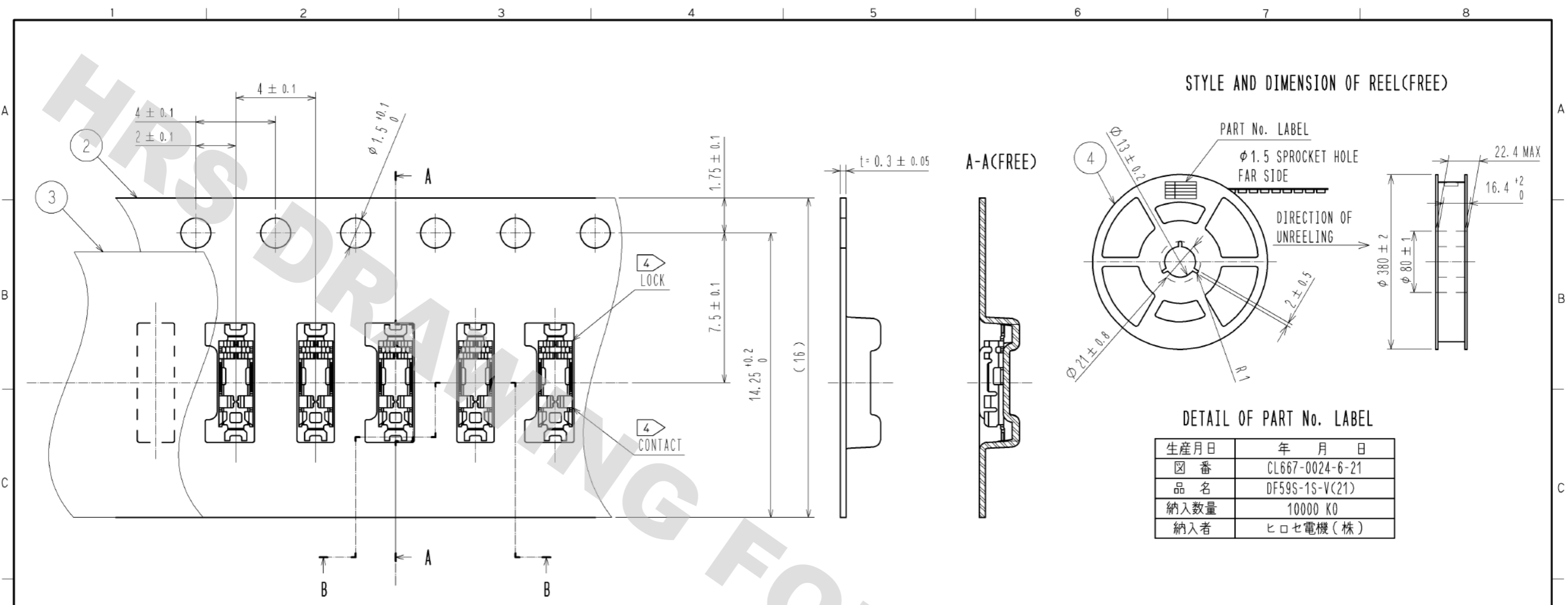
DRAWING FOR REFERENCE: This is subject to change without notice
05/31/2013



NOTE1. LEAD CO-PLANARITY SHALL BE 0.1mm MAX.
 2. () IS REFERENCE DIMENSION.
 3. REFER TO THE DF59S SERIES MATING/UNMATING OPERATION INSTRUCTION MANUAL (ETAD-H0651) FOR THE OPERATING OF THE PRODUCT.
 4 THE LOCK SIDE MOUNTS TO THE DIRECTION OF PCB END SIDE.

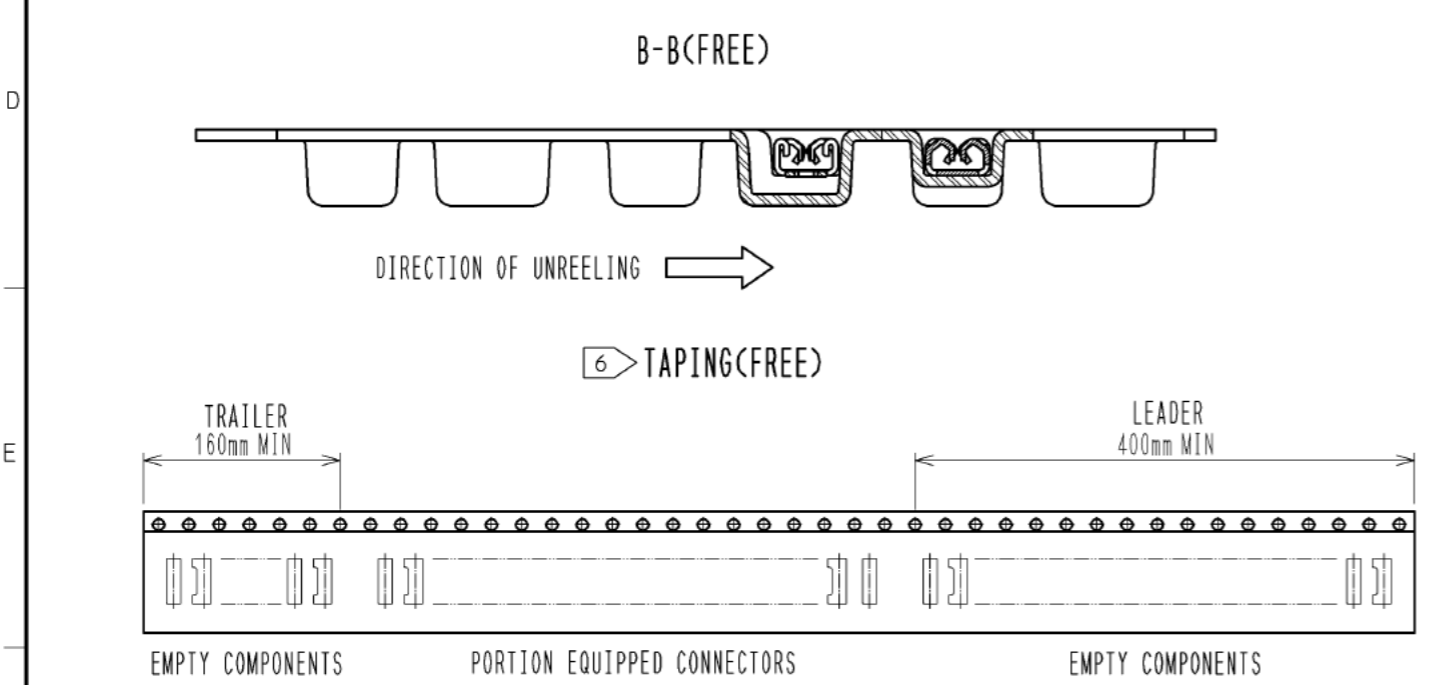
1	PHOSPHOR BRONZE	SURFACE:TIN PLATING 1μm MIN UNDER PLATING:Cu PLATING 0.3μm MIN	4 PS 3 POLYESTER 2 PS	REEL. BLACK CLEAR(COVER TAPE) CLEAR(EMBOSSD CARRIER TAPE)	
NO.	MATERIAL	FINISH . REMARKS	NO.	MATERIAL	FINISH . REMARKS
UNITS	mm	SCALE 5 : 1	COUNT 2	DESCRIPTION OF REVISIONS	
DESIGNED MI. SAKIMURA		CHECKED TS. KUMAZAWA		DATE 13.01.10	
APPROVED : KI. AKIYAMA 12.06.21		DRAWING NO. EDC3-342887-01		PART NO. DF59S-1S-V(21)	
CHECKED : OM. MIYAMOTO 12.06.21		CODE NO. CL667-0024-6-21		1/2	
DESIGNED : KT. ISHII 12.06.20					
DRAWN : KT. ISHII 12.06.20					

DRAWING FOR REFERENCE: This is subject to change without notice
05/31/2013

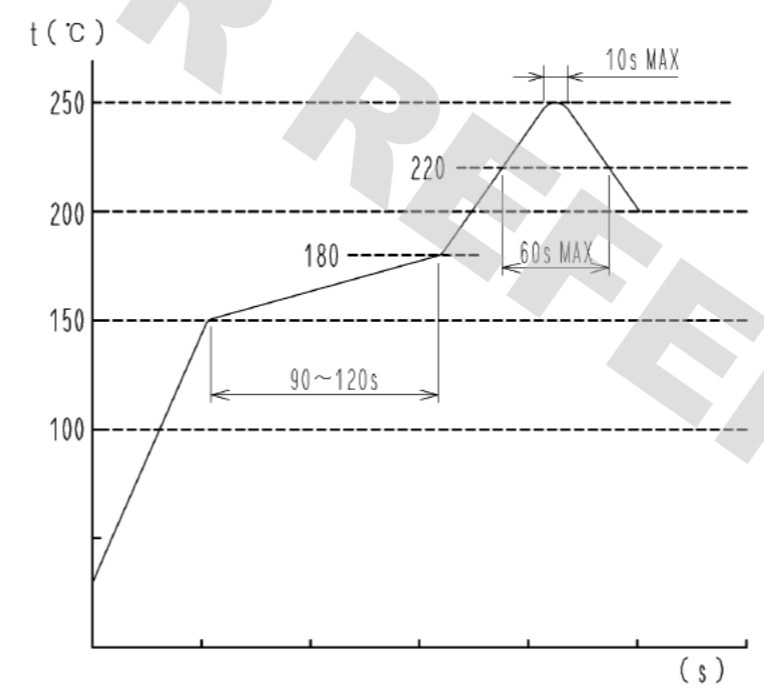


DETAIL OF PART No. LABEL

生産月日	年 月 日
図 番	CL667-0024-6-21
品 名	DF59S-1S-V(21)
納入数量	10000 K0
納入者	ヒロセ電機(株)



REFLOW TEMPERATURE PROFILE USING LEAD-FREE SOLDER PASTE (REFERENCE)



NUMBER OF REFLOW CYCLES 2 CYCLES MAX
THE TEMPERATURE IS MEASURED IN THE TERMINAL LEAD PART.
ADDITIONAL FACTORS, SUCH AS SOLDER PASTE TYPE,
PCB SIZE AND OTHER MOUNTED COMPONENTS COULD AFFECT
THE PROFILE.
THEREFORE, A THOROUGH EVALUATION OF MOUNTING CONDITION IS
REQUIRED PRIOR TO PRODUCTION.
TEMPERATURE IS MEASURED AT CONTACT LEAD.

- NOTE5. 1REEL:10000 CONNECTORS.
6 REEL TO JIS C 0806. (PACKAGING OF COMPONENTS FOR AUTOMATING HANDLING)
7. THE DIMENSIONS IN PARENTHESES ARE FOR REFERENCE.

HRS	DRAWING NO.	EDC3-342887-01
	PART NO.	DF59S-1S-V(21)
	CODE NO.	CL667-0024-6-21
		2/2

X-ON Electronics

Largest Supplier of Electrical and Electronic Components

Click to view similar products for [Lighting Connectors](#) category:

Click to view products by [Hirose](#) manufacturer:

Other Similar products are found below :

[293300-7](#) [293660-5](#) [CNX_H03_NTP](#) [30-9767-BU](#) [3605](#) [3-21030-1](#) [ZCH-110-RGB-I](#) [503471-0290](#) [ZCH-110-RGB-J](#) [217-0716-200](#)
[1954563-1](#) [1-293657-2](#) [2834036-1](#) [2834037-1](#) [1-2213222-4](#) [2-2213222-4](#) [2213222-4](#) [2834122-3](#) [2834122-5](#) [2834135-2](#) [FLA-R4142-30](#)
[FLA-R4162-30](#) [FLA-R2142-30](#) [FLA-R2162-30](#) [FLA-R2161-30](#) [FLA-R0161-30](#) [FLA-R0141-30](#) [FLA-R0142-30](#) [FLA-R0162-30](#) [FLA-C00-](#)
[00](#) [DGA00010553](#) [CNXV04NTP](#) [104128-0610](#) [503485-0000 \(Cut Strip\)](#) [503485-0000 \(Loose Piece\)](#) [503485-0000 \(MINI Reel\)](#) [1-2834074-2](#)
[1-2834074-3](#) [1357-AC PLUG W2C \(CHINA\)](#) [1357-AC PLUG W2 \(USA\)](#) [104266-0110](#) [CNXV02NTP](#) [2106212-1](#) [2-2834074-2](#) [104266-](#)
[0210](#) [293470-1](#) [293651-2](#) [293651-4](#) [1-2834006-2](#) [293651-1](#)