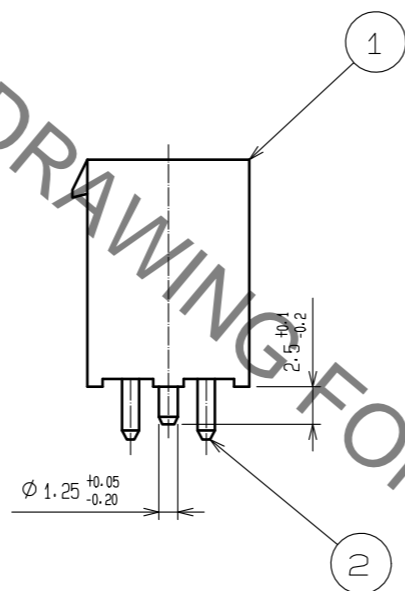
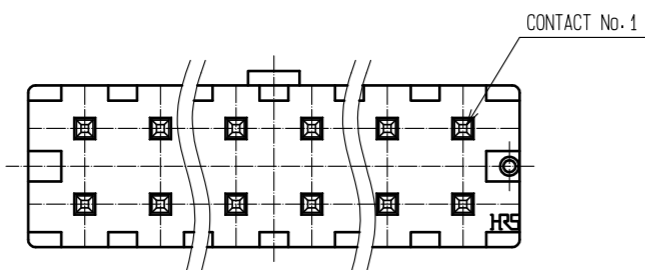
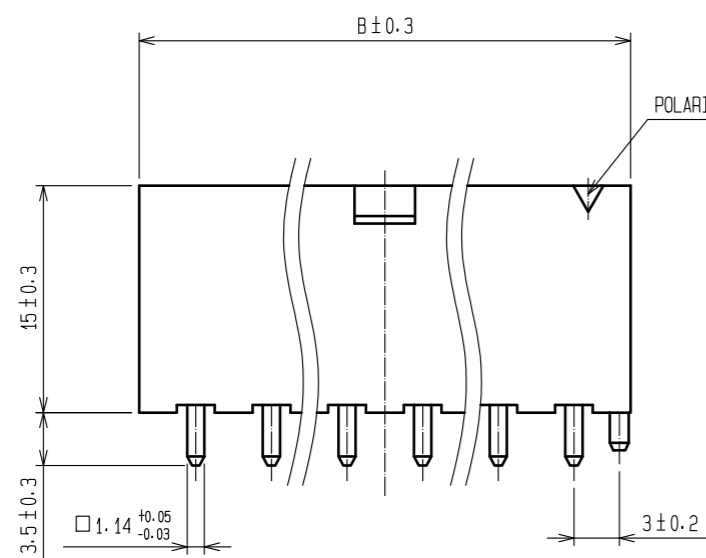
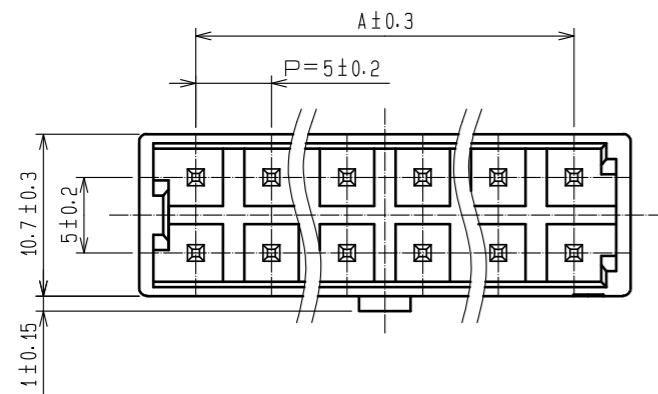
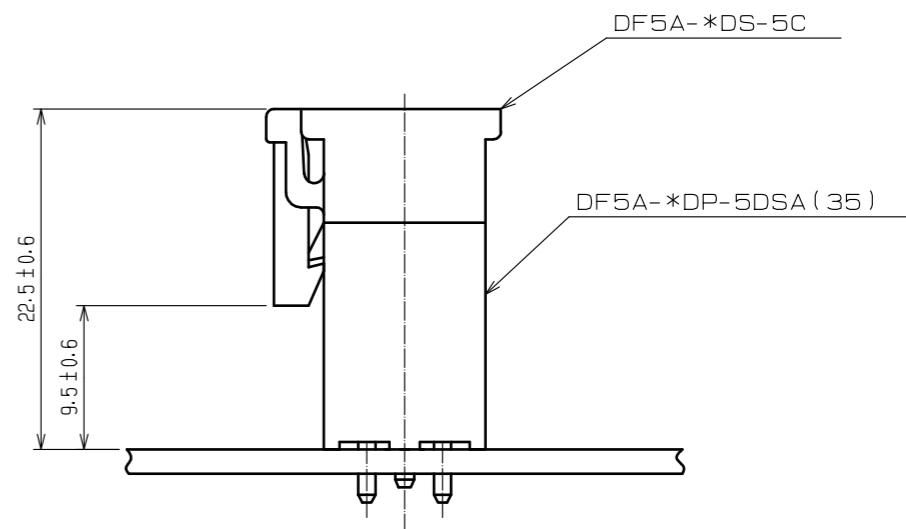


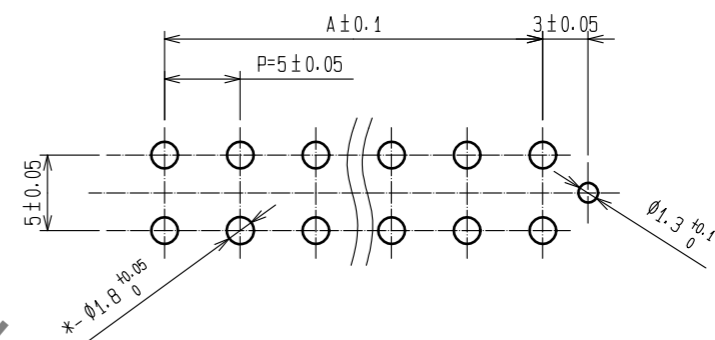
Sep.1.2021 Copyright 2021 HIROSE ELECTRIC CO., LTD. All Rights Reserved.  
In case of consideration for using Automotive equipment / device which demand high reliability, kindly contact our sales window correspondents.



APPLICATION DIAGRAM



RECOMMENDED PCB LAYOUT (t=1.6 ± 0.1)



| PART No.            | CODE No.        | A    | B    |
|---------------------|-----------------|------|------|
| DF5A-4DP-5DSA (35)  | CL676-0029-0-35 | -    | 12.5 |
| DF5A-6DP-5DSA (35)  | CL676-0030-0-35 | 10.0 | 17.5 |
| DF5A-8DP-5DSA (35)  | CL676-0031-2-35 | 15.0 | 22.5 |
| DF5A-10DP-5DSA (35) | CL676-0032-5-35 | 20.0 | 27.5 |
| DF5A-12DP-5DSA (35) | CL676-0033-8-35 | 25.0 | 32.5 |
| DF5A-14DP-5DSA (35) | CL676-0034-0-35 | 30.0 | 37.5 |
| DF5A-16DP-5DSA (35) | CL676-0035-3-35 | 35.0 | 42.5 |

|                                      |           |                         |           |                              |   |         |      |
|--------------------------------------|-----------|-------------------------|-----------|------------------------------|---|---------|------|
| 1                                    | POLYAMIDE | NATURAL (BEIGE)・UL94V-0 | 2         | BRASS                        | SURFACE:TIN PLATED 1μm min<br>UNDER PLATING:NICKEL PLATED 0.5μm min |         |      |
| NO.                                  | MATERIAL  | FINISH . REMARKS        | NO.       | MATERIAL                     | FINISH . REMARKS  |         |      |
| UNITS<br>mm                          |           | SCALE<br>2 : 1          | COUNT<br> | DESCRIPTION OF REVISIONS     | DESIGNED  | CHECKED | DATE |
| <b>HRS</b> HIROSE ELECTRIC CO., LTD. |           | APPROVED : KI. AKIYAMA  | 15.08.08  | DRAWING NO. EDC-302829-35-01 |   |         |      |
|                                      |           | CHECKED : TS. FUKUSHIMA | 15.08.08  | PART NO. DF5A-*DP-5DSA(35)   |   |         |      |
|                                      |           | DESIGNED : TS. KUMAZAWA | 15.08.08  | CODE NO. CL676               |   |         |      |
|                                      |           | DRAWN : TS. KUMAZAWA    | 15.08.08  |                              |   | 1/1     |      |

## X-ON Electronics

Largest Supplier of Electrical and Electronic Components

*Click to view similar products for [Headers & Wire Housings](#) category:*

*Click to view products by [Hirose](#) manufacturer:*

Other Similar products are found below :

[892-18-020-10-001101](#) [58102-G61-06LF](#) [582553-1](#) [0009485154](#) [009176003701906](#) [0050291907](#) [LY20-4P-DT1-P1E-BR](#) [02.125.8002.8](#)  
[609-3404](#) [61062-3](#) [622-0430](#) [622-3653LF](#) [63453-116](#) [636-1030](#) [636-1427](#) [636-3427](#) [636-4007](#) [641938-9](#) [641991-4](#) [644827-2](#) [65817-010LF](#)  
[65817-015LF](#) [65863-015LF](#) [66207-023LF](#) [67095-007LF](#) [67601157](#) [68648-049](#) [70.362.1628.0](#) [70-4210](#) [70-4226B](#) [70-4853B](#) [707-5020](#) [707-5028](#) [71.350.2428.0](#) [71918-208LF](#) [71961-016LF](#) [733-134](#) [733-162](#) [754199-000](#) [760-3052](#) [787-8014-00](#) [79531-3000](#) [FCN-360C032-B](#) [FCN-367T-T012/H](#) [FCN-723D010/2](#) [80.063.4001.1](#) [800-90-001-10-001000](#) [800-90-010-10-002000](#) [801-43-002-10-013000](#) [801-43-006-10-002000](#)