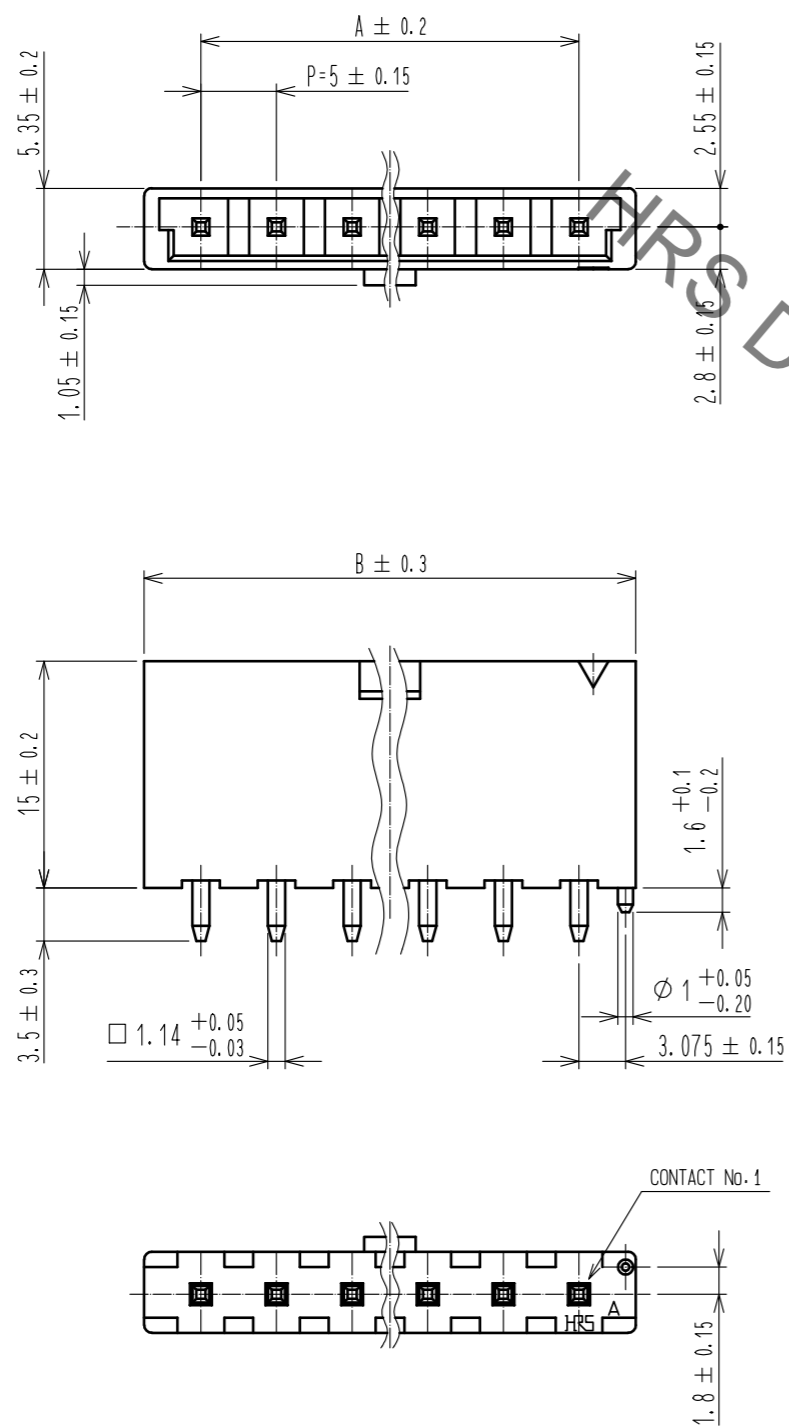
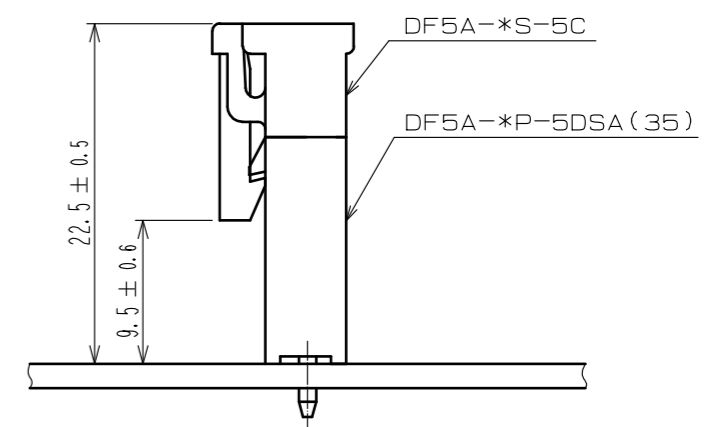


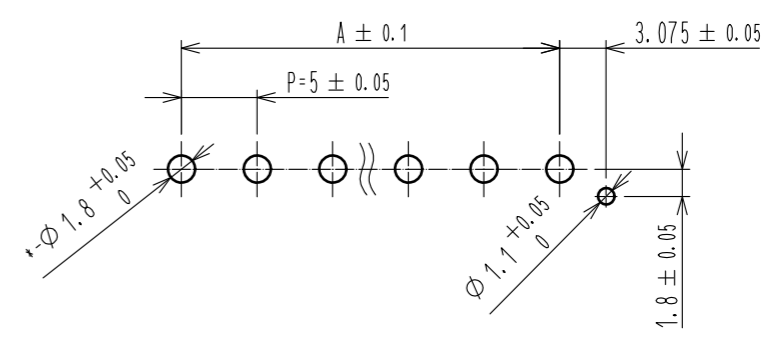
Sep.1.2021 Copyright 2021 HIROSE ELECTRIC CO., LTD. All Rights Reserved.
 In case of consideration for using Automotive equipment / device which demand high reliability, kindly contact our sales window correspondents.



APPLICATION DIAGRAM



RECOMMENDED PCB LAYOUT (t=1.6 ± 0.1)



PART No.	CODE No.	A	B
DF5A- 2P-5DSA(35)	CL676-0016-9-35	-	12.5
DF5A- 3P-5DSA(35)	CL676-0017-1-35	10.0	17.5
DF5A- 4P-5DSA(35)	CL676-0018-4-35	15.0	22.5
DF5A- 5P-5DSA(35)	CL676-0019-7-35	20.0	27.5
DF5A- 6P-5DSA(35)	CL676-0020-6-35	25.0	32.5
DF5A- 7P-5DSA(35)	CL676-0021-9-35	30.0	37.5
DF5A- 8P-5DSA(35)	CL676-0022-1-35	35.0	42.5
DF5A- 9P-5DSA(35)	CL676-0023-4-35	40.0	47.5
DF5A-10P-5DSA(35)	CL676-0024-7-35	45.0	52.5

1	POLYAMIDE	NATURAL(BEIGE), UL94V-0	2	BRASS	SURFACE:TIN PLATED 1#m min UNDER PLATING:NICKEL PLATED 0.5#m min		
NO.	MATERIAL	FINISH . REMARKS	NO.	MATERIAL	FINISH . REMARKS		
UNITS mm		SCALE 2 : 1	COUNT	DESCRIPTION OF REVISIONS	DESIGNED	CHECKED	DATE
HRS HIROSE ELECTRIC CO., LTD.		APPROVED : KI. AKIYAMA	15.05.15	DRAWING NO. EDC-160242-35-00			
		CHECKED : TS. FUKUSHIMA	15.05.14	PART NO. DF5A-*P-5DSA(35)			
		DESIGNED : TS. KUMAZAWA	15.05.14	CODE NO. CL676-			
		DRAWN : MI. SAKIMURA	15.05.14				

X-ON Electronics

Largest Supplier of Electrical and Electronic Components

Click to view similar products for [Headers & Wire Housings](#) category:

Click to view products by [Hirose](#) manufacturer:

Other Similar products are found below :

[892-18-020-10-001101](#) [58102-G61-06LF](#) [582553-1](#) [0009485154](#) [009176003701906](#) [0050291907](#) [LY20-4P-DT1-P1E-BR](#) [02.125.8002.8](#)
[609-3404](#) [61062-3](#) [622-0430](#) [622-3653LF](#) [63453-116](#) [636-1030](#) [636-1427](#) [636-3427](#) [636-4007](#) [641938-9](#) [641991-4](#) [644827-2](#) [65817-010LF](#)
[65817-015LF](#) [65863-015LF](#) [66207-023LF](#) [67095-007LF](#) [67601157](#) [68648-049](#) [70.362.1628.0](#) [70-4210](#) [70-4226B](#) [70-4853B](#) [707-5020](#) [707-](#)
[5028](#) [71.350.2428.0](#) [71918-208LF](#) [71961-016LF](#) [733-134](#) [733-162](#) [754199-000](#) [760-3052](#) [787-8014-00](#) [79531-3000](#) [FCN-360C032-B](#) [FCN-](#)
[367T-T012/H](#) [FCN-723D010/2](#) [80.063.4001.1](#) [800-90-001-10-001000](#) [800-90-010-10-002000](#) [801-43-002-10-013000](#) [801-43-006-10-002000](#)