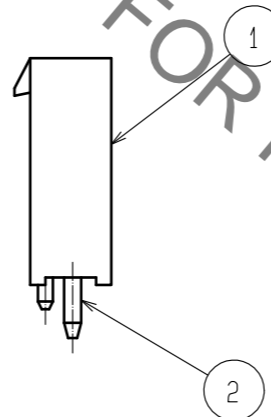
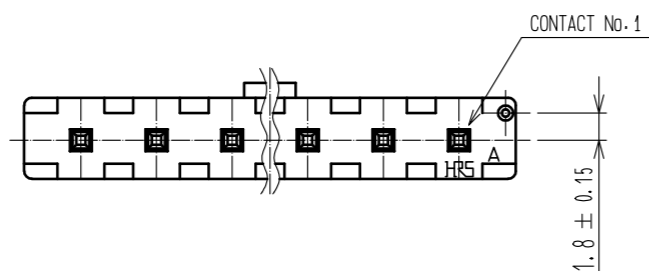
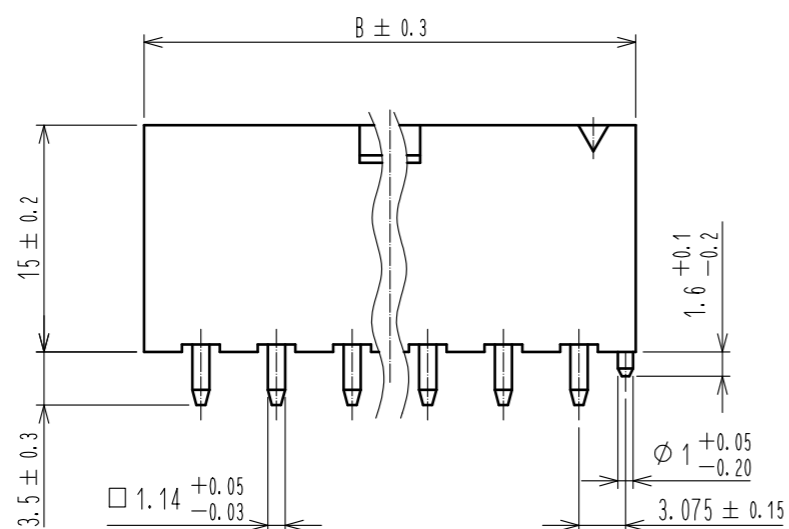
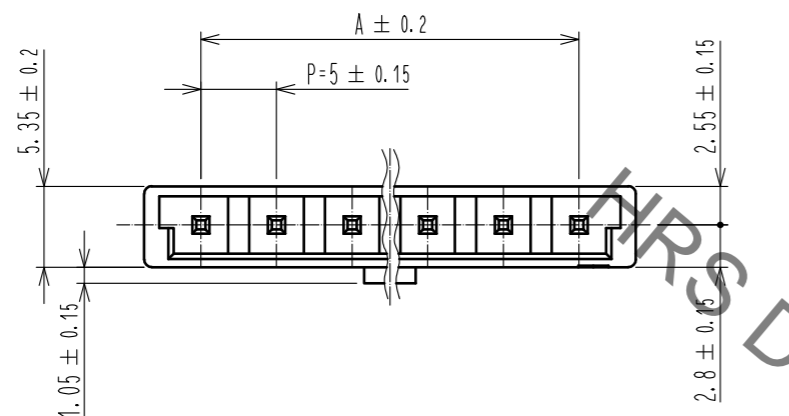
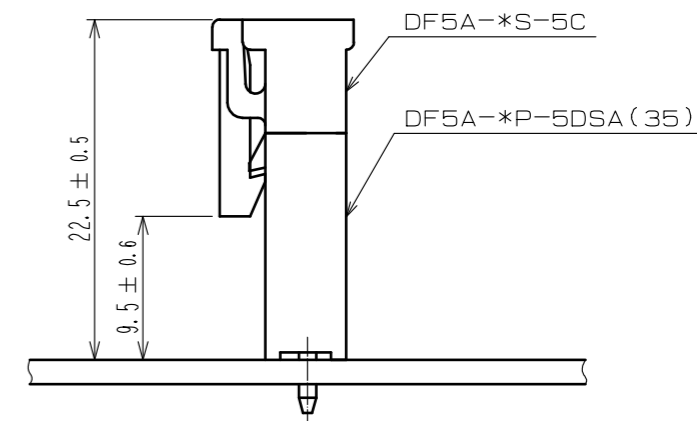


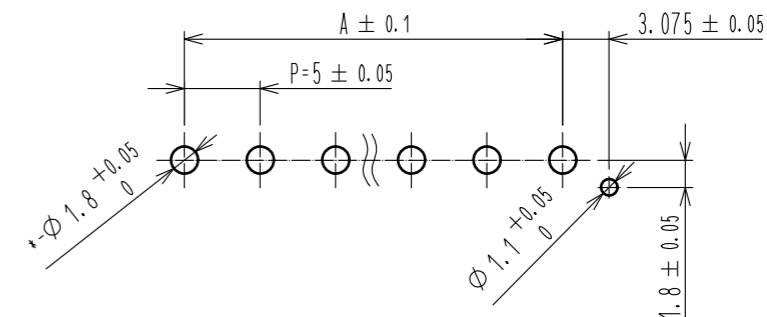
Sep.1.2021 Copyright 2021 HIROSE ELECTRIC CO., LTD. All Rights Reserved.
In case of consideration for using Automotive equipment / device which demand high reliability, kindly contact our sales window correspondents.



APPLICATION DIAGRAM



RECOMMENDED PCB LAYOUT (t=1.6±0.1)



| PART No. | CODE No. | A | B |
|-------------------|-----------------|------|------|
| DF5A- 2P-5DSA(35) | CL676-0016-9-35 | - | 12.5 |
| DF5A- 3P-5DSA(35) | CL676-0017-1-35 | 10.0 | 17.5 |
| DF5A- 4P-5DSA(35) | CL676-0018-4-35 | 15.0 | 22.5 |
| DF5A- 5P-5DSA(35) | CL676-0019-7-35 | 20.0 | 27.5 |
| DF5A- 6P-5DSA(35) | CL676-0020-6-35 | 25.0 | 32.5 |
| DF5A- 7P-5DSA(35) | CL676-0021-9-35 | 30.0 | 37.5 |
| DF5A- 8P-5DSA(35) | CL676-0022-1-35 | 35.0 | 42.5 |
| DF5A- 9P-5DSA(35) | CL676-0023-4-35 | 40.0 | 47.5 |
| DF5A-10P-5DSA(35) | CL676-0024-7-35 | 45.0 | 52.5 |

| | | | | | |
|---------------------------|-----------|-------------------------|-----------|--------------------------|---|
| 1 | POLYAMIDE | NATURAL(BEIGE), UL94V-0 | 2 | BRASS | SURFACE:TIN PLATED 1#m min UNDER PLATING:NICKEL PLATED 0.5#m min |
| NO. | MATERIAL | FINISH . REMARKS | NO. | MATERIAL | FINISH . REMARKS |
| UNITS mm | | SCALE 2 : 1 | COUNT | DESCRIPTION OF REVISIONS | DESIGNED |
| | | APPROVED : KI. AKIYAMA | 15.05.15 | DRAWING NO. | EDC-160242-35-00 |
| HIROSE ELECTRIC CO., LTD. | | CHECKED : TS. FUKUSHIMA | 15.05.14 | PART NO. | DF5A-*P-5DSA(35) |
| | | DESIGNED : TS. KUMAZAWA | 15.05.14 | CODE NO. | CL676- |
| | | DRAWN : MI. SAKIMURA | 15.05.14 | | |

X-ON Electronics

Largest Supplier of Electrical and Electronic Components

Click to view similar products for [Headers & Wire Housings](#) category:

Click to view products by [Hirose](#) manufacturer:

Other Similar products are found below :

[892-18-020-10-001101](#) [58102-G61-06LF](#) [582553-1](#) [0009485154](#) [009176003701906](#) [0050291907](#) [LY20-4P-DT1-P1E-BR](#) [02.125.8002.8](#)
[609-3404](#) [61062-3](#) [622-0430](#) [622-3653LF](#) [63453-116](#) [636-1030](#) [636-1427](#) [636-3427](#) [636-4007](#) [641938-9](#) [641991-4](#) [644827-2](#) [65817-010LF](#)
[65817-015LF](#) [65863-015LF](#) [66207-023LF](#) [67095-007LF](#) [67601157](#) [68648-049](#) [70.362.1628.0](#) [70-4210](#) [70-4226B](#) [70-4853B](#) [707-5020](#) [707-5028](#) [71.350.2428.0](#) [71918-208LF](#) [71961-016LF](#) [733-134](#) [733-162](#) [754199-000](#) [760-3052](#) [787-8014-00](#) [79531-3000](#) [FCN-360C032-B](#) [FCN-367T-T012/H](#) [FCN-723D010/2](#) [80.063.4001.1](#) [800-90-001-10-001000](#) [800-90-010-10-002000](#) [801-43-002-10-013000](#) [801-43-006-10-002000](#)