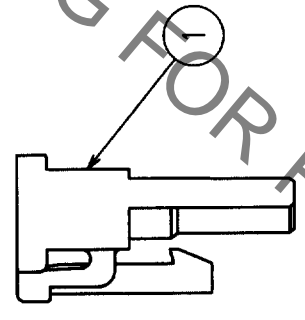
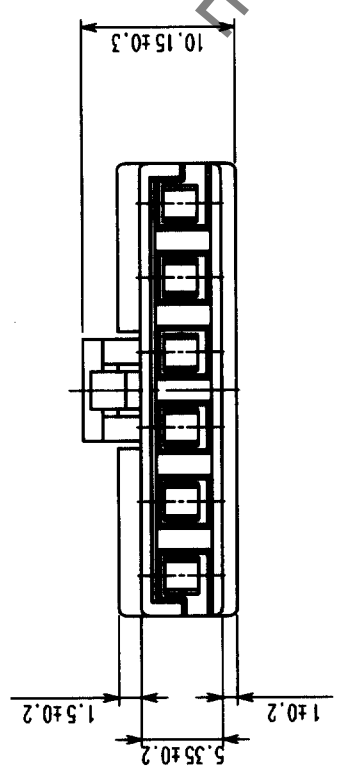
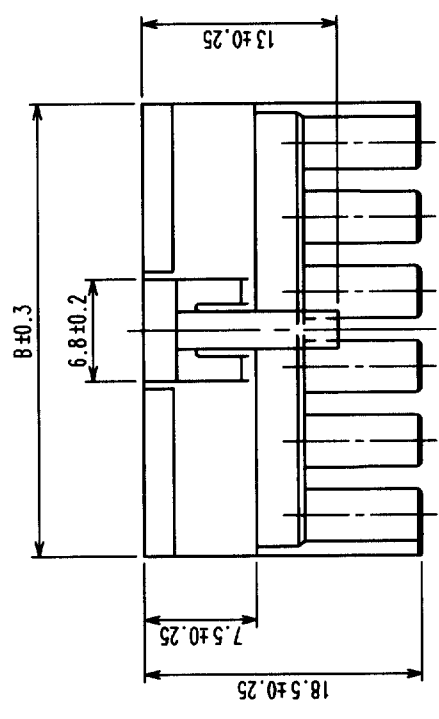
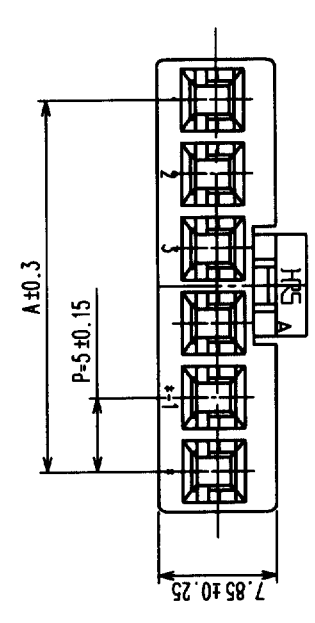


In case of consideration for using Automotive equipment / device which demand high reliability, kindly contact our sales window correspondents.

COUNT	DESCRIPTION OF REVISIONS	BY	CHKD	DATE	COUNT	DESCRIPTION OF REVISIONS	BY	CHKD	DATE
△					△				
△					△				
△					△				



HRS DRAWING FOR REFERENCE

PRODUCT NO.	HRS NO.	CONTACTS	A	B
DF5A-2S-5C	CL676-0007-8	2	5	10.5
DF5A-3S-5C	CL676-0008-0	3	10	15.5
DF5A-4S-5C	CL676-0009-3	4	15	20.5
DF5A-5S-5C	CL676-0010-2	5	20	25.5
DF5A-6S-5C	CL676-0011-5	6	25	30.5
DF5A-7S-5C	CL676-0012-8	7	30	35.5
DF5A-8S-5C	CL676-0013-0	8	35	40.5
DF5A-9S-5C	CL676-0014-3	9	40	45.5
DF5A-10S-5C	CL676-0015-6	10	45	50.5

NOTE 1:A PACKAGING QUANTITY IS DELIVERED BY THE BAG UNIT(100 PCS.)

NO.	MATERIAL	FINISH, REMARKS	NO.	MATERIAL	FINISH, REMARKS
1	POLYAMIDE	NATURAL (WHITE)	1	POLYAMIDE	NATURAL (WHITE), UL94V-0

CODE NO. (OLD)	CL	DRAWN	DESIGNED	CHECKED	APPROVED	RELEASED
		IDENPOUYA	IDENPOUYA	H. Inohara	K. Katayama	
		01.11.27	01.11.27	01.11.27	01.11.30	

DRAWING NO.	PART NO.
EDC3-160243	DF5A-S-5C

SCALE	UNITS	CODE NO.
2 : 1	MM	CL676

TO	

X-ON Electronics

Largest Supplier of Electrical and Electronic Components

Click to view similar products for [Headers & Wire Housings](#) category:

Click to view products by [Hirose](#) manufacturer:

Other Similar products are found below :

[892-18-020-10-001101](#) [58102-G61-06LF](#) [582553-1](#) [0009485154](#) [009176003701906](#) [0050291907](#) [LY20-4P-DT1-P1E-BR](#) [02.125.8002.8](#)
[609-3404](#) [61062-3](#) [622-0430](#) [622-3653LF](#) [63453-116](#) [636-1030](#) [636-1427](#) [636-3427](#) [636-4007](#) [641938-9](#) [641991-4](#) [644827-2](#) [65817-010LF](#)
[65817-015LF](#) [65863-015LF](#) [66207-023LF](#) [67095-007LF](#) [67601157](#) [68648-049](#) [70.362.1628.0](#) [70-4210](#) [70-4226B](#) [70-4853B](#) [707-5020](#) [707-](#)
[5028](#) [71.350.2428.0](#) [71918-208LF](#) [71961-016LF](#) [733-134](#) [733-162](#) [754199-000](#) [760-3052](#) [787-8014-00](#) [79531-3000](#) [FCN-360C032-B](#) [FCN-](#)
[367T-T012/H](#) [FCN-723D010/2](#) [80.063.4001.1](#) [800-90-001-10-001000](#) [800-90-010-10-002000](#) [801-43-002-10-013000](#) [801-43-006-10-002000](#)