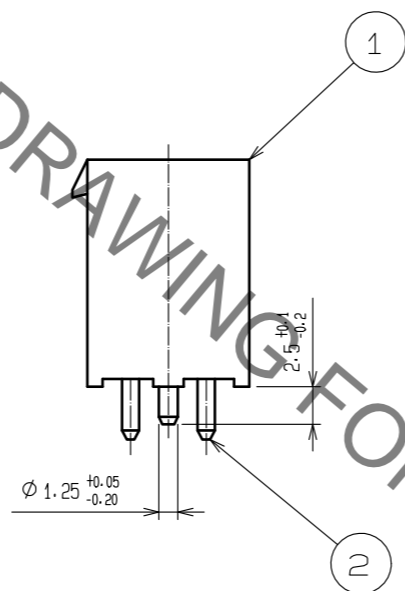
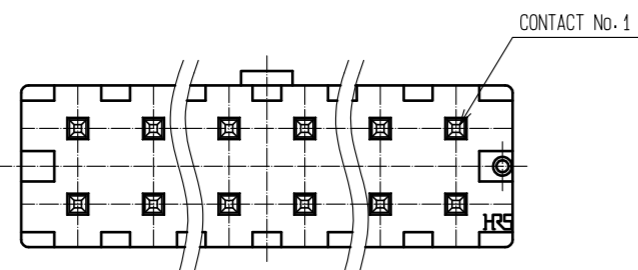
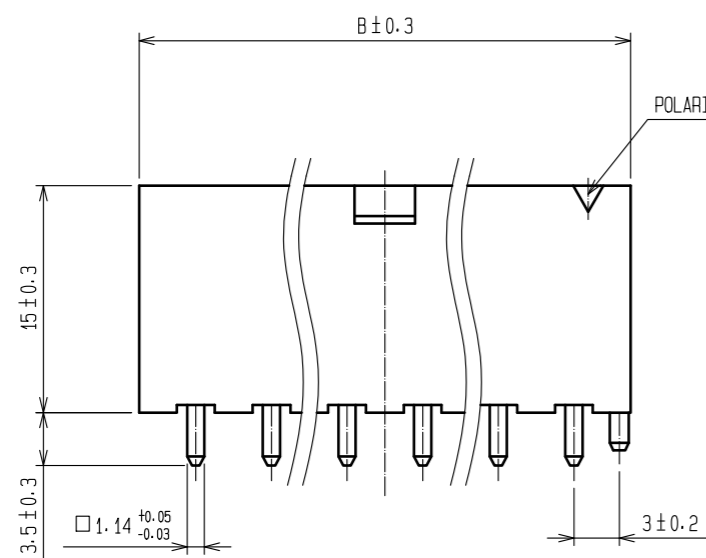
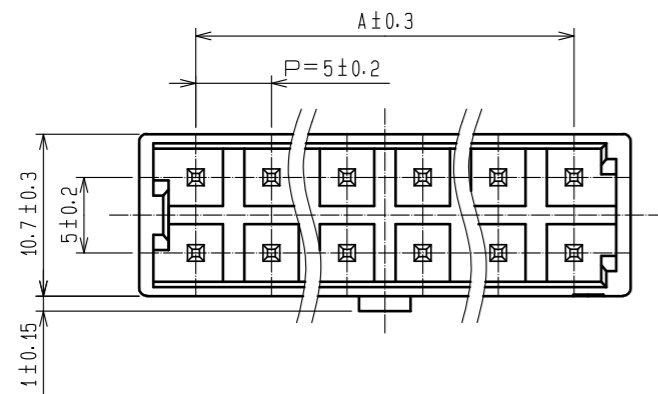
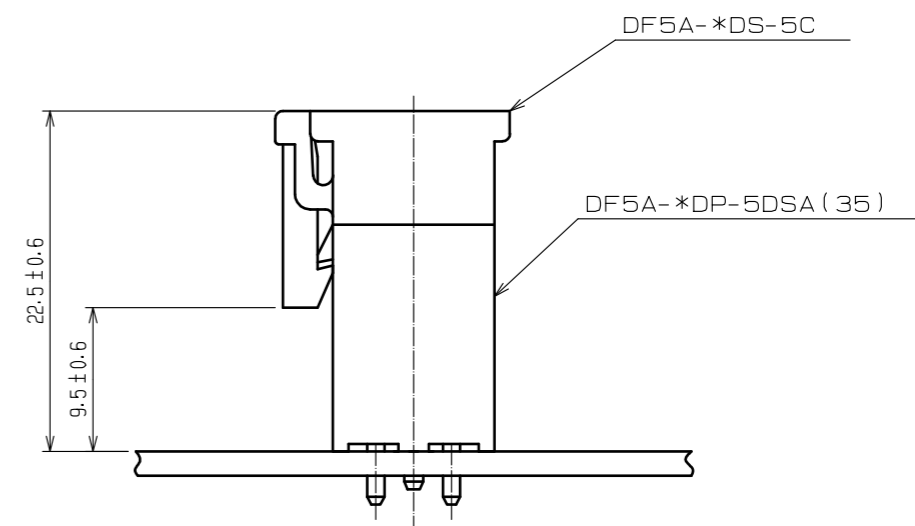


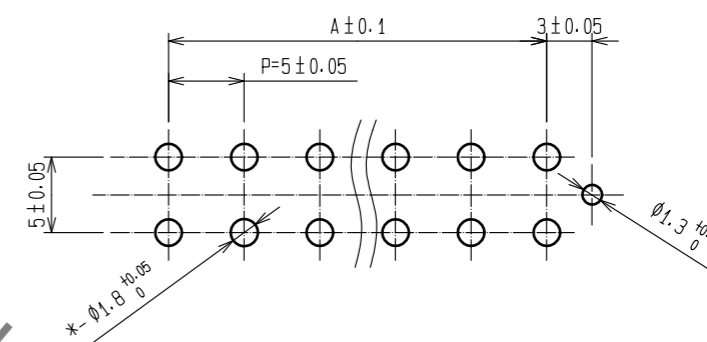
Sep.1.2021 Copyright 2021 HIROSE ELECTRIC CO., LTD. All Rights Reserved.
In case of consideration for using Automotive equipment / device which demand high reliability, kindly contact our sales window correspondents.



APPLICATION DIAGRAM



RECOMMENDED PCB LAYOUT (t=1.6 ± 0.1)



PART No.	CODE No.	A	B
DF5A-4DP-5DSA (35)	CL676-0029-0-35	-	12.5
DF5A-6DP-5DSA (35)	CL676-0030-0-35	10.0	17.5
DF5A-8DP-5DSA (35)	CL676-0031-2-35	15.0	22.5
DF5A-10DP-5DSA (35)	CL676-0032-5-35	20.0	27.5
DF5A-12DP-5DSA (35)	CL676-0033-8-35	25.0	32.5
DF5A-14DP-5DSA (35)	CL676-0034-0-35	30.0	37.5
DF5A-16DP-5DSA (35)	CL676-0035-3-35	35.0	42.5

NO.	MATERIAL	FINISH . REMARKS	NO.	MATERIAL	FINISH . REMARKS
1	POLYAMIDE	NATURAL (BEIGE) . UL94V-0	2	BRASS	SURFACE:TIN PLATED 1µm min UNDER PLATING:NICKEL PLATED 0.5µm min

UNITS	SCALE	COUNT	DESCRIPTION OF REVISIONS	DESIGNED	CHECKED	DATE
mm	2 : 1	△	APPROVED : KI. AKIYAMA 15.08.08			
			CHECKED : TS. FUKUSHIMA 15.08.08			
			DESIGNED : TS. KUMAZAWA 15.08.08			
			DRAWN : TS. KUMAZAWA 15.08.08			

DRAWING NO.	PART NO.	CODE NO.
EDC-302829-35-01	DF5A-*DP-5DSA(35)	CL676

X-ON Electronics

Largest Supplier of Electrical and Electronic Components

Click to view similar products for [Headers & Wire Housings](#) category:

Click to view products by [Hirose](#) manufacturer:

Other Similar products are found below :

[892-18-020-10-001101](#) [58102-G61-06LF](#) [582553-1](#) [0009485154](#) [009176003701906](#) [0050291907](#) [LY20-4P-DT1-P1E-BR](#) [02.125.8002.8](#)
[609-3404](#) [61062-3](#) [622-0430](#) [622-3653LF](#) [63453-116](#) [636-1030](#) [636-1427](#) [636-3427](#) [636-4007](#) [641938-9](#) [641991-4](#) [644827-2](#) [65817-010LF](#)
[65817-015LF](#) [65863-015LF](#) [66207-023LF](#) [67095-007LF](#) [67601157](#) [68648-049](#) [70.362.1628.0](#) [70-4210](#) [70-4226B](#) [70-4853B](#) [707-5020](#) [707-5028](#) [71.350.2428.0](#) [71918-208LF](#) [71961-016LF](#) [733-134](#) [733-162](#) [754199-000](#) [760-3052](#) [787-8014-00](#) [79531-3000](#) [FCN-360C032-B](#) [FCN-367T-T012/H](#) [FCN-723D010/2](#) [80.063.4001.1](#) [800-90-001-10-001000](#) [800-90-010-10-002000](#) [801-43-002-10-013000](#) [801-43-006-10-002000](#)