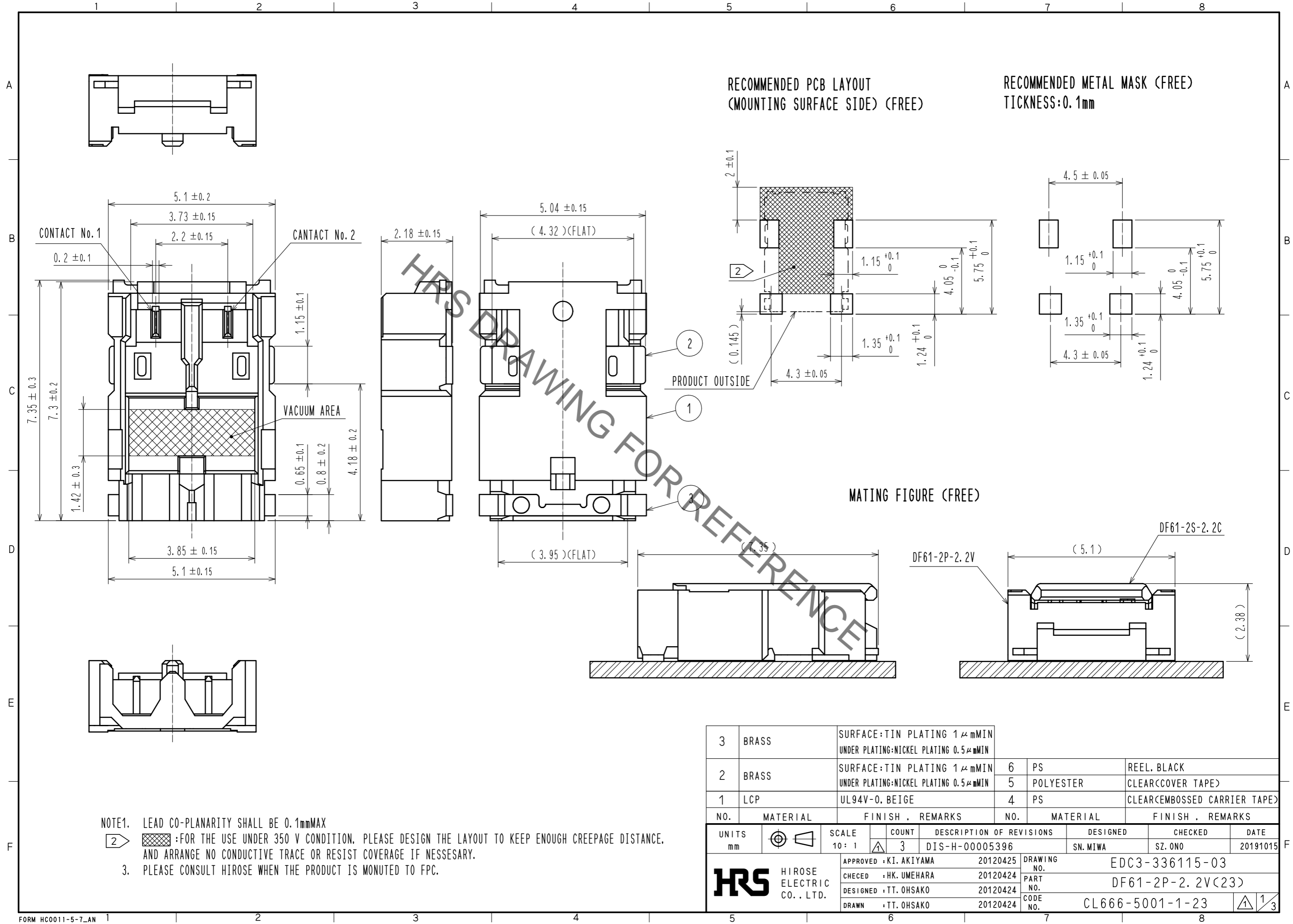


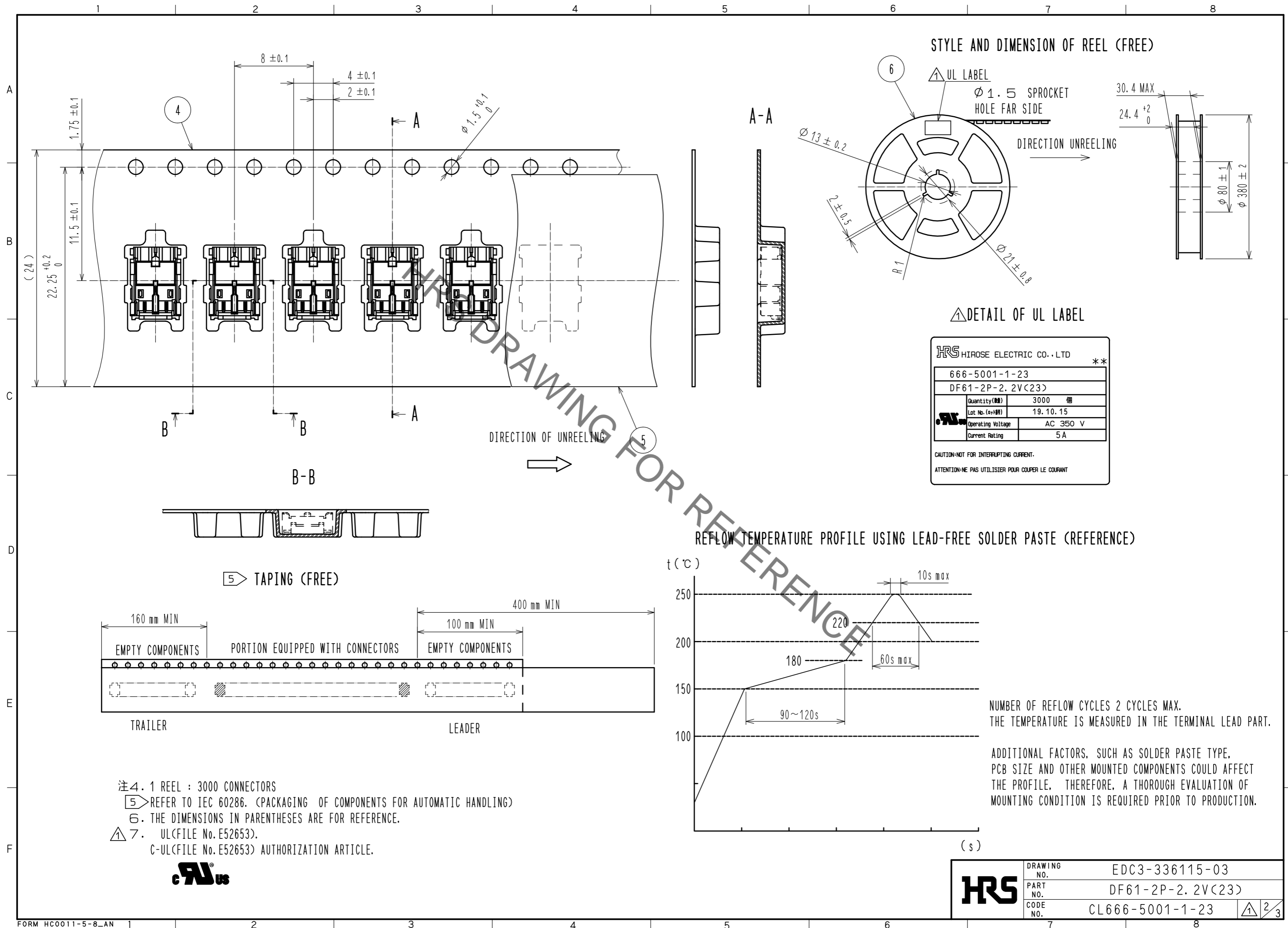
Sep.1.2021 Copyright 2021 HIROSE ELECTRIC CO., LTD. All Rights Reserved.  
In case of consideration for using Automotive equipment / device which demand high reliability, kindly contact our sales window correspondents.



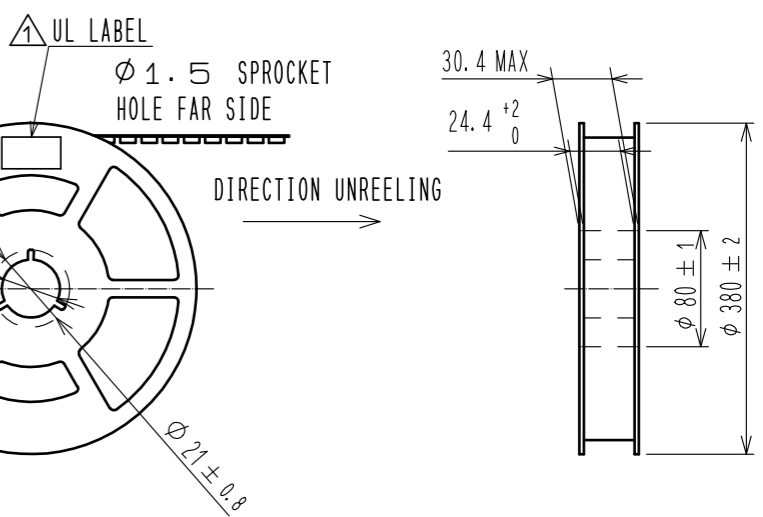
NOTE1. LEAD CO-PLANARITY SHALL BE 0.1mmMAX  
 2. :FOR THE USE UNDER 350 V CONDITION. PLEASE DESIGN THE LAYOUT TO KEEP ENOUGH CREEPAGE DISTANCE, AND ARRANGE NO CONDUCTIVE TRACE OR RESIST COVERAGE IF NECESSARY.  
 3. PLEASE CONSULT HIROSE WHEN THE PRODUCT IS MONUTED TO FPC.

3	BRASS	SURFACE:TIN PLATING 1μmMIN UNDER PLATING:NICKEL PLATING 0.5μmMIN			
2	BRASS	SURFACE:TIN PLATING 1μmMIN UNDER PLATING:NICKEL PLATING 0.5μmMIN	6	PS	REEL. BLACK
1	LCP	UL94V-0. BEIGE	5	POLYESTER	CLEAR(COVER TAPE)
			4	PS	CLEAR(EMBOSSED CARRIER TAPE)
NO.	MATERIAL	FINISH . REMARKS	NO.	MATERIAL	FINISH . REMARKS
UNITS		SCALE	COUNT	DESCRIPTION OF REVISIONS	DESIGNED
mm		10: 1	3	DIS-H-00005396	SN. MIWA
					CHECKED
					SZ. ONO
					DATE
					20191015
<b>HRS</b> HIROSE ELECTRIC CO., LTD.		APPROVED : KI. AKIYAMA	20120425	DRAWING NO. EDC3-336115-03	
		CHECED : HK. UMEHARA	20120424	PART NO. DF61-2P-2. 2V(23)	
		DESIGNED : TT. OHSAKO	20120424	CODE NO. CL666-5001-1-23	
		DRAWN : TT. OHSAKO	20120424	1/3	

Sep.1.2021 Copyright 2021 HIROSE ELECTRIC CO., LTD. All Rights Reserved.  
In case of consideration for using Automotive equipment / device which demand high reliability, kindly contact our sales window correspondents.



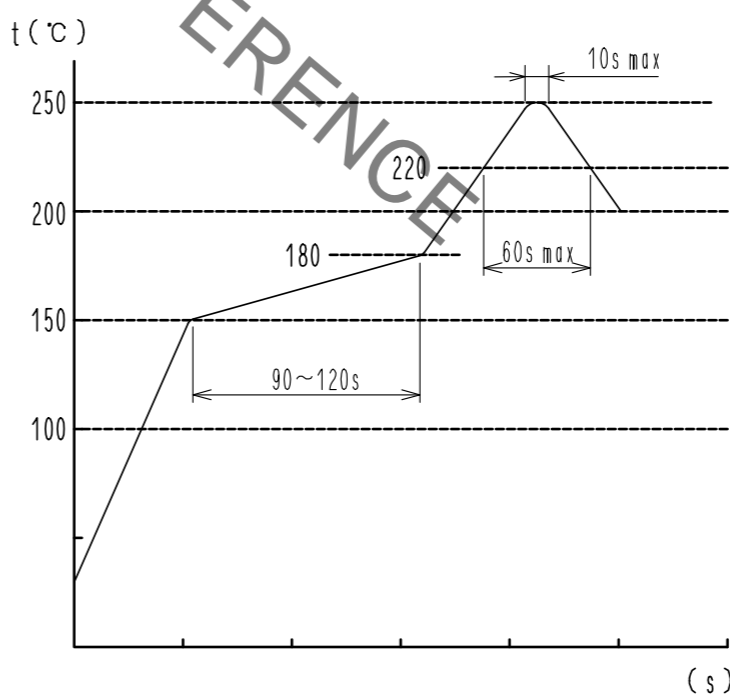
STYLE AND DIMENSION OF REEL (FREE)



DETAIL OF UL LABEL

HRS HIROSE ELECTRIC CO., LTD		**
666-5001-1-23		
DF61-2P-2.2V(23)		
Quantity(個)	3000	個
Lot No.(巻) (巻)	19.10.15	
Operating Voltage	AC 350 V	
Current Rating	5 A	
CAUTION:NOT FOR INTERRUPTING CURRENT.		
ATTENTION:NE PAS UTILISER POUR COUPER LE COURANT		

REFLOW TEMPERATURE PROFILE USING LEAD-FREE SOLDER PASTE (REFERENCE)



NUMBER OF REFLOW CYCLES 2 CYCLES MAX.  
THE TEMPERATURE IS MEASURED IN THE TERMINAL LEAD PART.

ADDITIONAL FACTORS, SUCH AS SOLDER PASTE TYPE,  
PCB SIZE AND OTHER MOUNTED COMPONENTS COULD AFFECT  
THE PROFILE, THEREFORE, A THOROUGH EVALUATION OF  
MOUNTING CONDITION IS REQUIRED PRIOR TO PRODUCTION.

- 注4. 1 REEL : 3000 CONNECTORS
- 5 REFER TO IEC 60286. (PACKAGING OF COMPONENTS FOR AUTOMATIC HANDLING)
- 6. THE DIMENSIONS IN PARENTHESES ARE FOR REFERENCE.
- 7. UL(FILE No. E52653).  
C-UL(FILE No. E52653) AUTHORIZATION ARTICLE.



HRS	DRAWING NO.	EDC3-336115-03
	PART NO.	DF61-2P-2.2V(23)
	CODE NO.	CL666-5001-1-23

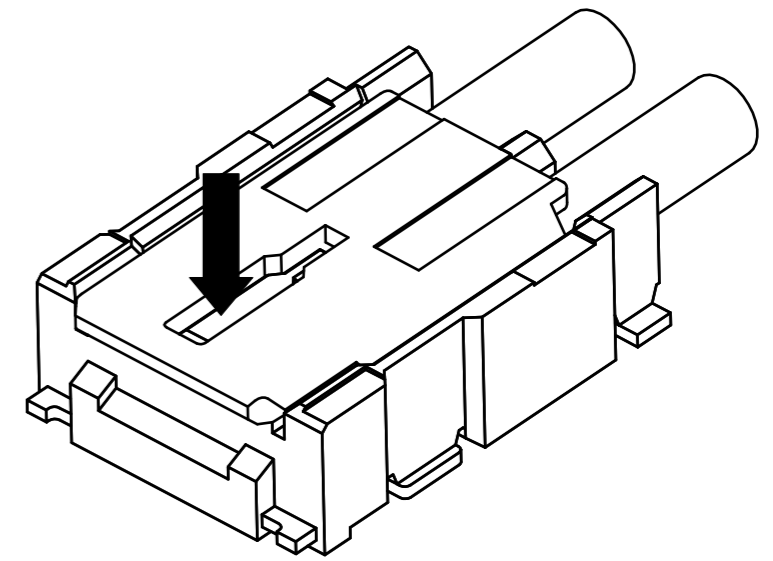
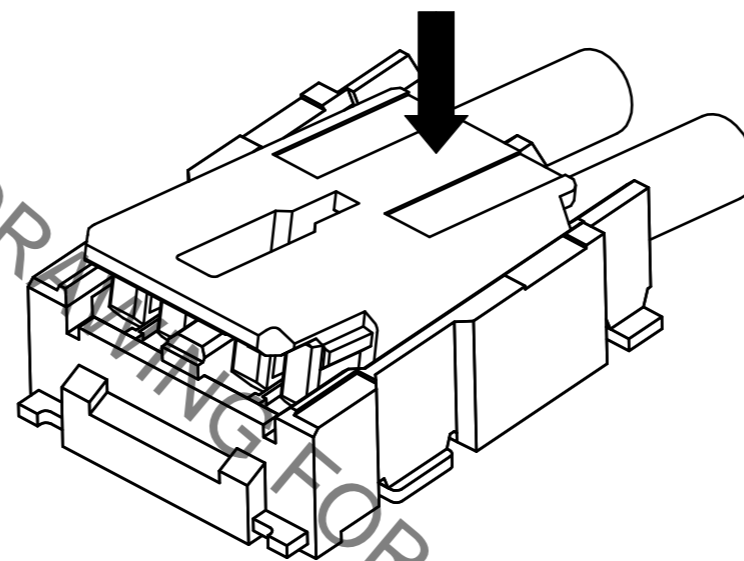
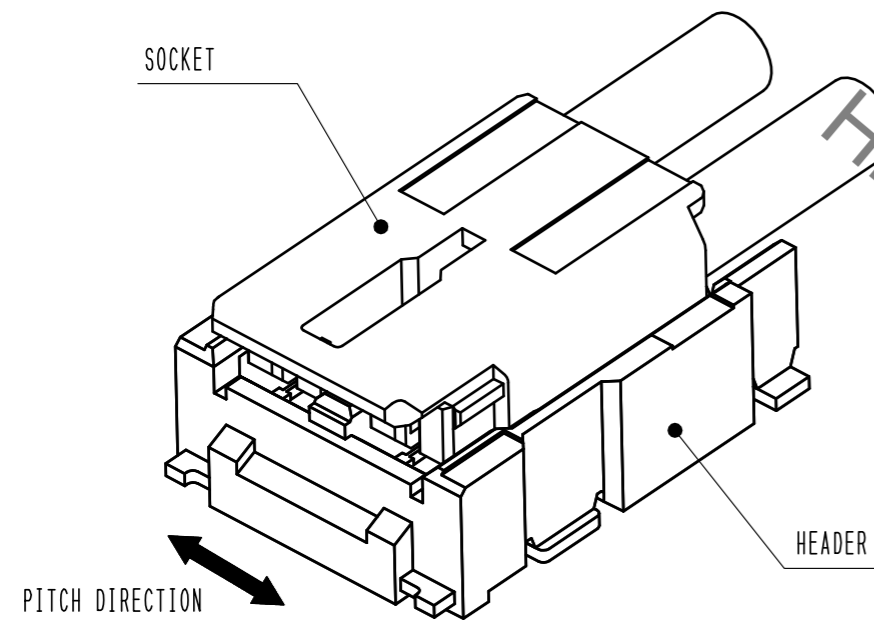
# DF61 Series Mating / Unmating Operation Instruction

## Mating

① By positioning the convexity of the socket sides to the header concavity, align the centers of the socket and the header in pitch direction.

② Slightly press the socket down at cable side to tilted angle.

③ Press down at the lever side with stabilizing the cable side to insert. Mating completes.

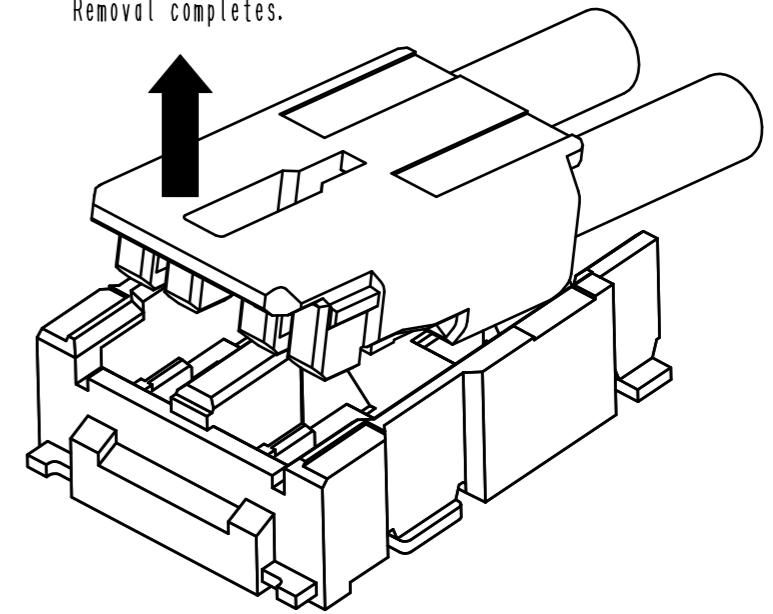
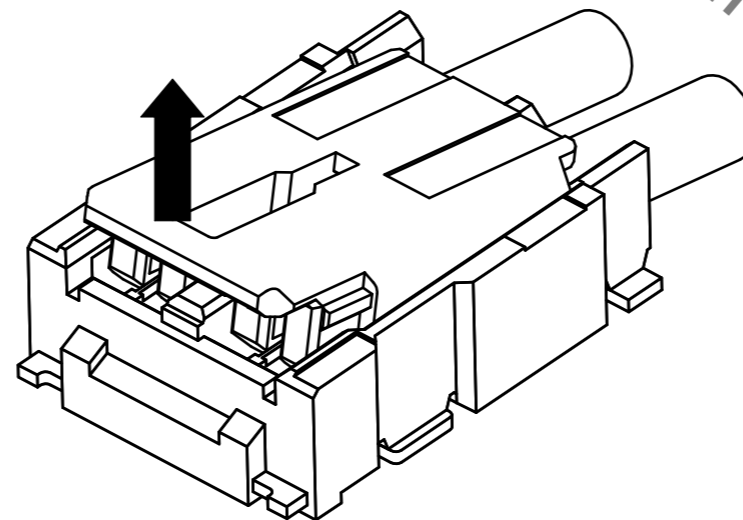
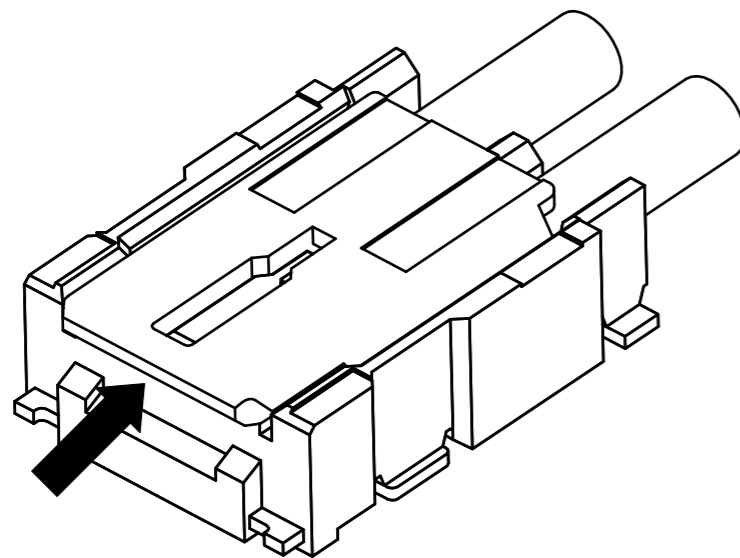


## Unmating

① Hook the lever with finger nail.

② Lift up to the upper direction and friction lock is released.

③ Lift up to the upper direction and positive lock is released. Removal completes.



**HRS**

図番: EDC3-336115-03  
 製品名: DF61-2P-2.2V(23)  
 製品コード: CL666-5001-1-23

3/3

## X-ON Electronics

Largest Supplier of Electrical and Electronic Components

*Click to view similar products for [Headers & Wire Housings](#) category:*

*Click to view products by [Hirose](#) manufacturer:*

Other Similar products are found below :

[892-18-020-10-001101](#) [58102-G61-06LF](#) [582553-1](#) [0009485154](#) [009176003701906](#) [0050291907](#) [LY20-4P-DT1-P1E-BR](#) [02.125.8002.8](#)  
[609-3404](#) [61062-3](#) [622-0430](#) [622-3653LF](#) [63453-116](#) [636-1030](#) [636-1427](#) [636-3427](#) [636-4007](#) [641938-9](#) [641991-4](#) [644827-2](#) [65817-010LF](#)  
[65817-015LF](#) [65863-015LF](#) [66207-023LF](#) [67095-007LF](#) [67601157](#) [68648-049](#) [70.362.1628.0](#) [70-4210](#) [70-4226B](#) [70-4853B](#) [707-5020](#) [707-5028](#) [71.350.2428.0](#) [71918-208LF](#) [71961-016LF](#) [733-134](#) [733-162](#) [754199-000](#) [760-3052](#) [787-8014-00](#) [79531-3000](#) [FCN-360C032-B](#) [FCN-367T-T012/H](#) [FCN-723D010/2](#) [80.063.4001.1](#) [800-90-001-10-001000](#) [800-90-010-10-002000](#) [801-43-002-10-013000](#) [801-43-006-10-002000](#)