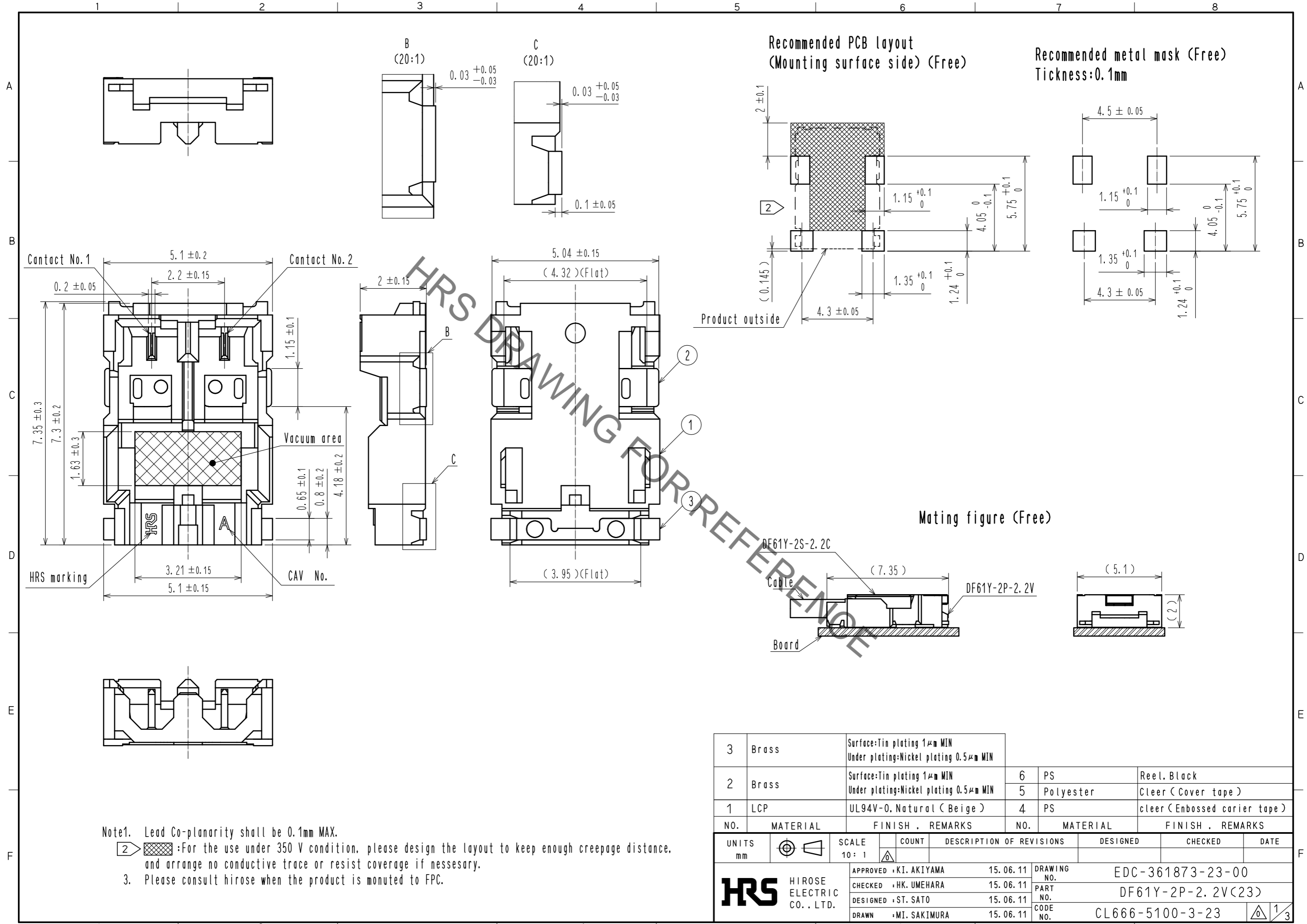


Aug.1.2021 Copyright 2021 HIROSE ELECTRIC CO., LTD. All Rights Reserved.
 In case of consideration for using Automotive equipment / device which demand high reliability, kindly contact our sales window correspondents.

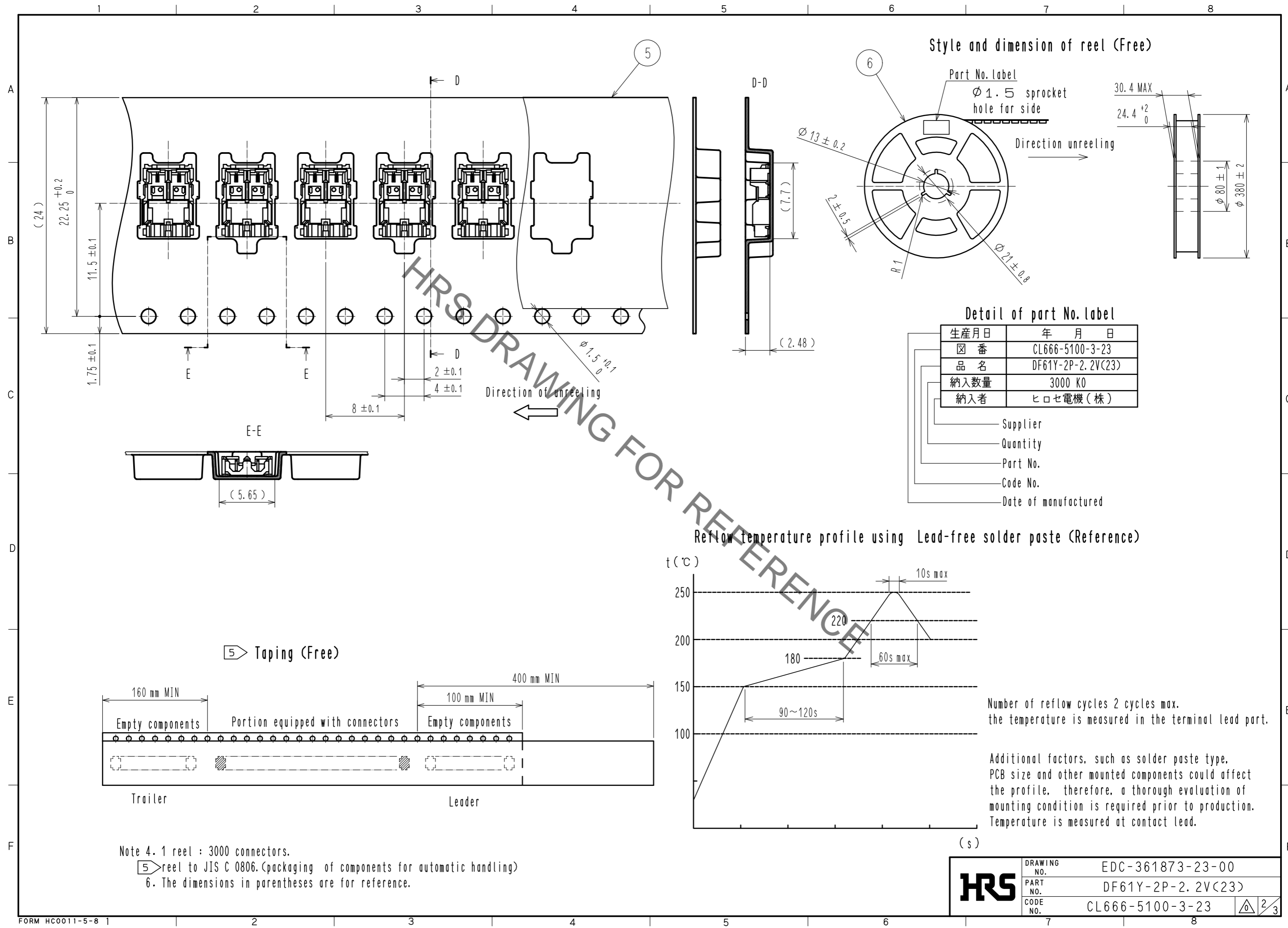


Note1. Lead Co-planarity shall be 0.1mm MAX.

2: For the use under 350 V condition, please design the layout to keep enough creepage distance, and arrange no conductive trace or resist coverage if nessesary.

3. Please consult hirose when the product is monuted to FPC.

Aug.1.2021 Copyright 2021 HIROSE ELECTRIC CO., LTD. All Rights Reserved.
 In case of consideration for using Automotive equipment / device which demand high reliability, kindly contact our sales window correspondents.



Note 4. 1 reel : 3000 connectors.
 5) Taping (Free)
 6) The dimensions in parentheses are for reference.

HRS	DRAWING NO.	EDC-361873-23-00
	PART NO.	DF61Y-2P-2.2V(23)
	CODE NO.	CL666-5100-3-23
		\triangle 2/3

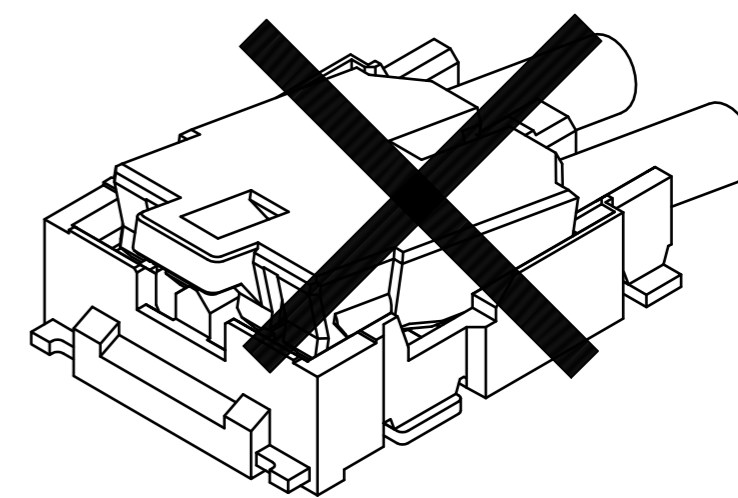
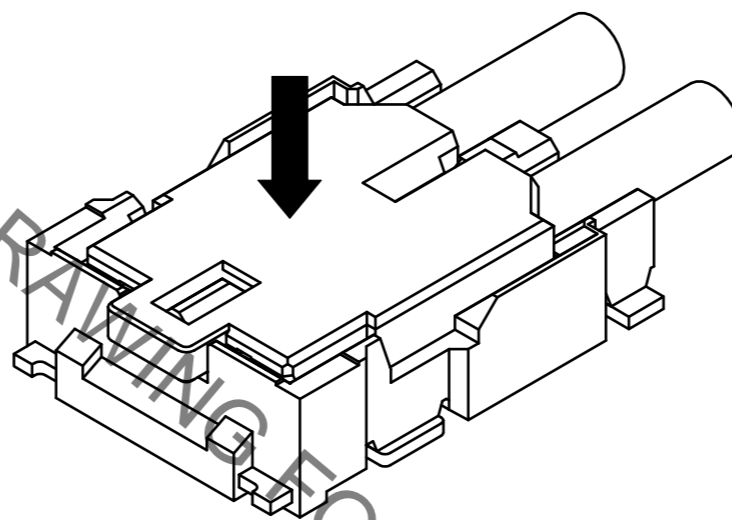
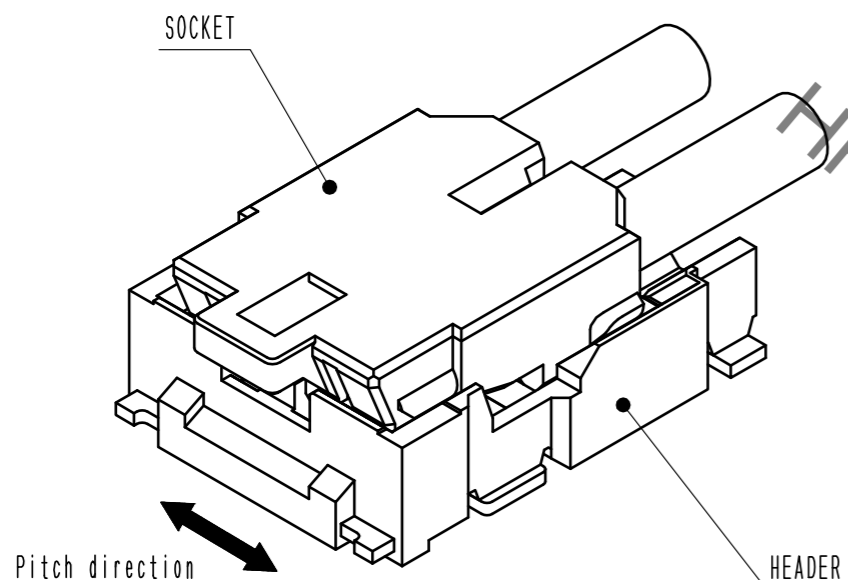
DF61Y Series Mating / Unmating Operation Instruction

Mating

① By positioning the convexity of the socket sides to the header concavity, align the centers of the socket and the header in pitch direction.

② Slightly press the socket down at the center of the socket.

③ Press down at the lever side with stabilizing the cable side to insert. Mating completes.

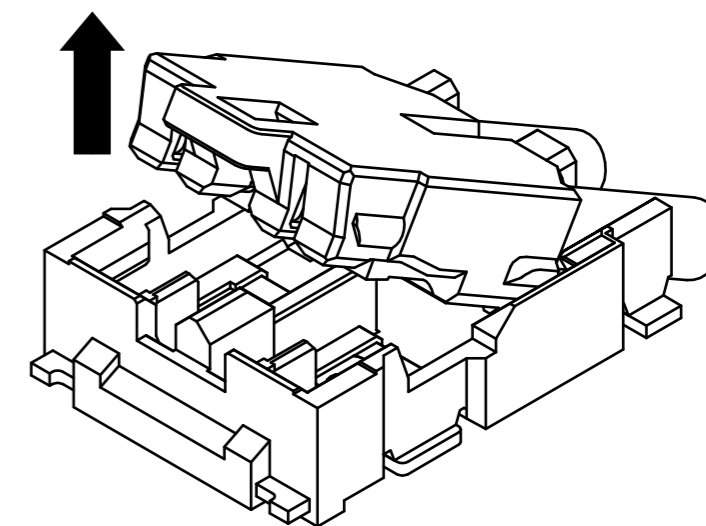
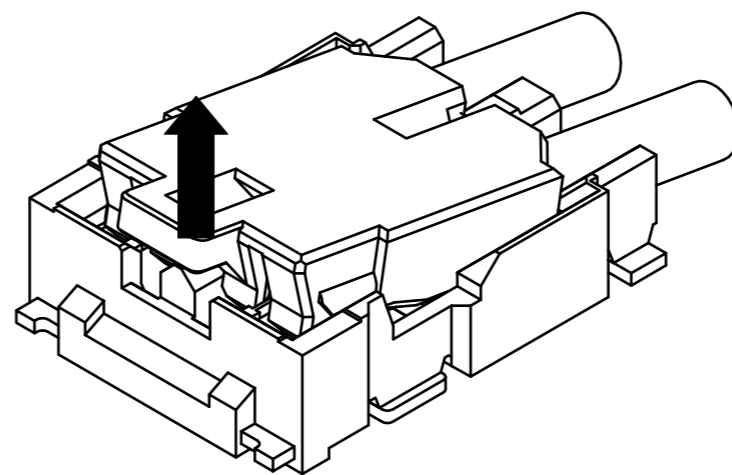
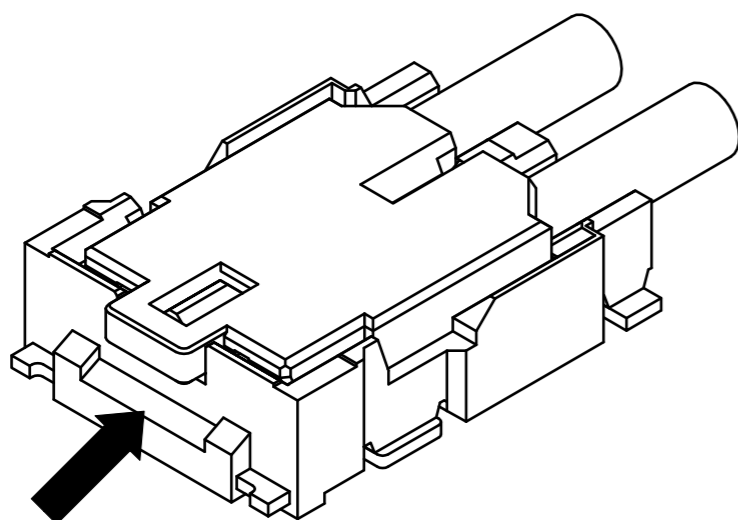


Unmating

① Hook the lever with finger nail.

② Lift up to the upper direction and friction lock is released.

③ Lift it up to the upper direction more, and removal completes.



HRS	DRAWING NO.	EDC-361873-23-00
	PART NO.	DF61Y-2P-2.2V(23)
	CODE NO.	CL666-5100-3-23
		3/3

Aug.1.2021 Copyright 2021 HIROSE ELECTRIC CO., LTD. All Rights Reserved. In case of consideration for using Automotive equipment / device which demand high reliability, kindly contact our sales window correspondents.

X-ON Electronics

Largest Supplier of Electrical and Electronic Components

Click to view similar products for [Headers & Wire Housings](#) category:

Click to view products by [Hirose](#) manufacturer:

Other Similar products are found below :

[892-18-020-10-001101](#) [58102-G61-06LF](#) [582553-1](#) [0009485154](#) [009176003701906](#) [0050291907](#) [LY20-4P-DT1-P1E-BR](#) [02.125.8002.8](#)
[609-3404](#) [61062-3](#) [622-0430](#) [622-3653LF](#) [63453-116](#) [636-1030](#) [636-1427](#) [636-3427](#) [636-4007](#) [641938-9](#) [641991-4](#) [644827-2](#) [65817-010LF](#)
[65817-015LF](#) [65863-015LF](#) [66207-023LF](#) [67095-007LF](#) [67601157](#) [68648-049](#) [70.362.1628.0](#) [70-4210](#) [70-4226B](#) [70-4853B](#) [707-5020](#) [707-5028](#) [71.350.2428.0](#) [71918-208LF](#) [71961-016LF](#) [733-134](#) [733-162](#) [754199-000](#) [760-3052](#) [787-8014-00](#) [79531-3000](#) [FCN-360C032-B](#) [FCN-367T-T012/H](#) [FCN-723D010/2](#) [80.063.4001.1](#) [800-90-001-10-001000](#) [800-90-010-10-002000](#) [801-43-002-10-013000](#) [801-43-006-10-002000](#)