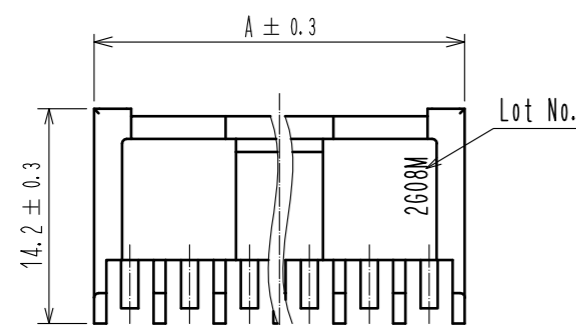
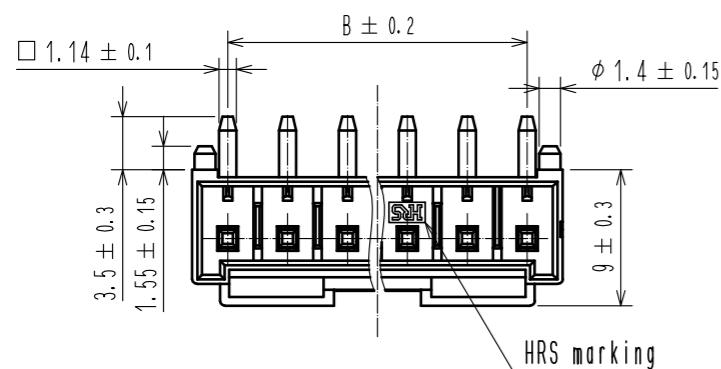
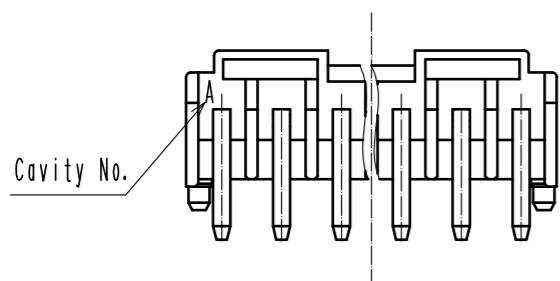


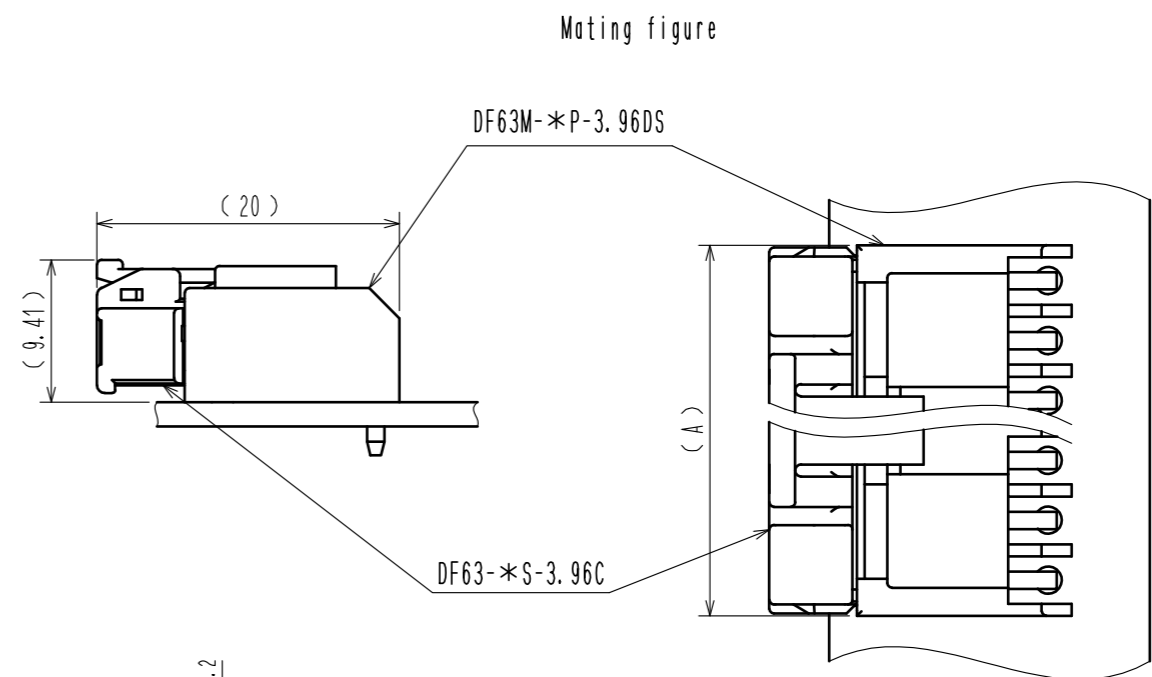
Sep.1.2021 Copyright 2021 HIROSE ELECTRIC CO., LTD. All Rights Reserved.
In case of consideration for using Automotive equipment / device which demand high reliability, kindly contact our sales window correspondents.



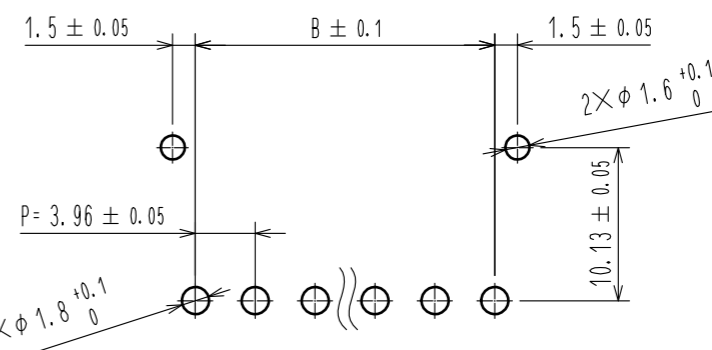
Contact No.1 marking



HRS DRAWING FOR REFERENCE



Recommended pattern(FREE)
(Recommended board thickness t=1.6mm)



Part Number	HRS No.	Number of Contact(*)	A	B
DF63M-1P-3.96DS	680-0570-0	1	6.2	—
DF63M-2P-3.96DS	680-0571-0	2	8.66	3.96
DF63M-3P-3.96DS	680-0572-0	3	12.62	7.92

- Note 1. Per pack : 100 pieces.
2. The dimension in parenthesis are for reference.
3. UL(FIle No. E52653)
C-UL(Fie No. E52653)
TUV(Certificate No. R50318850) authorization article.



1	PBT	UL94V-0(BLACK)	2	Brass	Tin plating 1μm MIN
NO.	MATERIAL	FINISH . REMARKS	NO.	MATERIAL	FINISH . REMARKS
UNITS mm		SCALE 2 : 1	COUNT 1	DESCRIPTION OF REVISIONS DIS-H-00004240	DESIGNED TS. KUMAZAWA
				CHECKED SZ. ONO	DATE 20180925
APPROVED : HS. OKAWA		20170915		DRAWING NO. EDC-378594-00-00	
CHECKED : TS. FUKUSHIMA		20170915		PART NO. DF63M-*P-3.96DS	
DESIGNED : HT. SATO		20170915		CODE NO. CL680-	
DRAWN : MI. SAKIMURA		20170915			

X-ON Electronics

Largest Supplier of Electrical and Electronic Components

Click to view similar products for [Power to the Board](#) category:

Click to view products by [Hirose](#) manufacturer:

Other Similar products are found below :

[6450171-4](#) [6450552-7](#) [6600323-8](#) [6643429-1](#) [6646040-2](#) [6651939-1](#) [6766604-1](#) [120959-1](#) [1393557-2](#) [1393532-2](#) [1393532-3](#) [1393532-4](#)
[1393557-1](#) [1600812-5](#) [1-6450861-2](#) [1744132-7](#) [1761122-1](#) [1766250-1](#) [1892109-1](#) [2-6450860-5](#) [2-6450870-0](#) [1-6450161-4](#) [1-6450850-6](#) [1-](#)
[6450869-6](#) [1645526-2](#) [1-6600130-0](#) [2005243-2](#) [TE34-12-16P-F0](#) [5-6450830-6](#) [5646956-4](#) [4-6450830-9](#) [4-6600333-3](#) [10125416-4050LF](#)
[6600320-3](#) [3-6450860-5](#) [1888123-2](#) [6450166-1](#) [6643978-1](#) [6766605-1](#) [N11444](#) [6651938-1](#) [6450810-7](#) [46437-1112](#) [1-1589677-8](#) [5646956-5](#)
[6450813-2](#) [6450129-4](#) [1645523-1](#) [PSS-06-01-T-S](#) [0465621864](#)