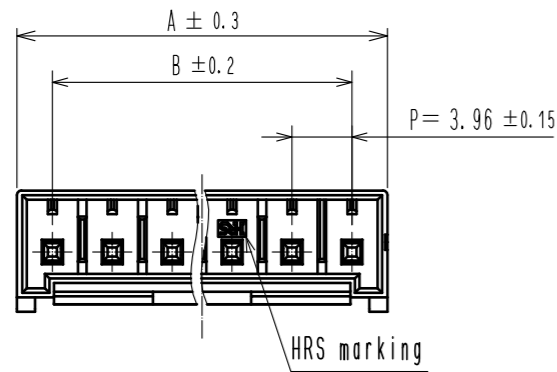
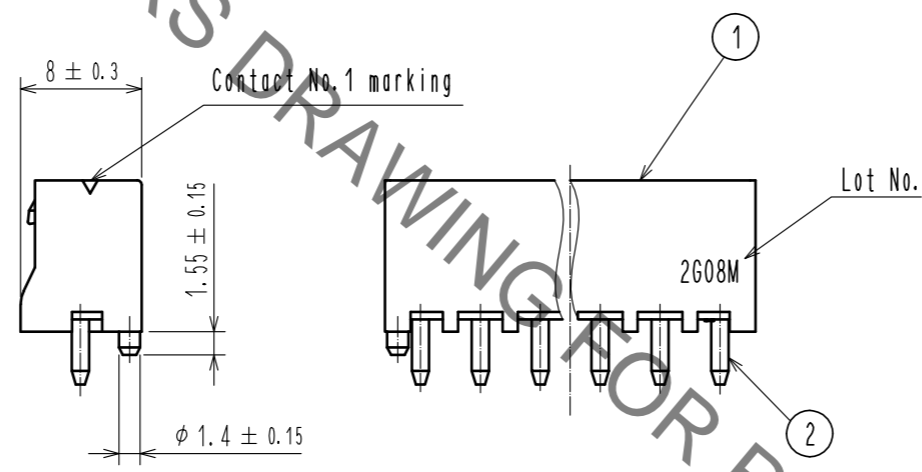
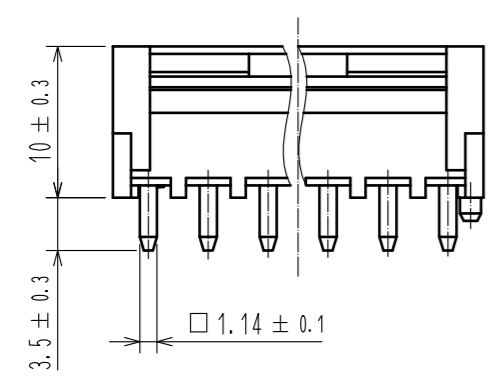
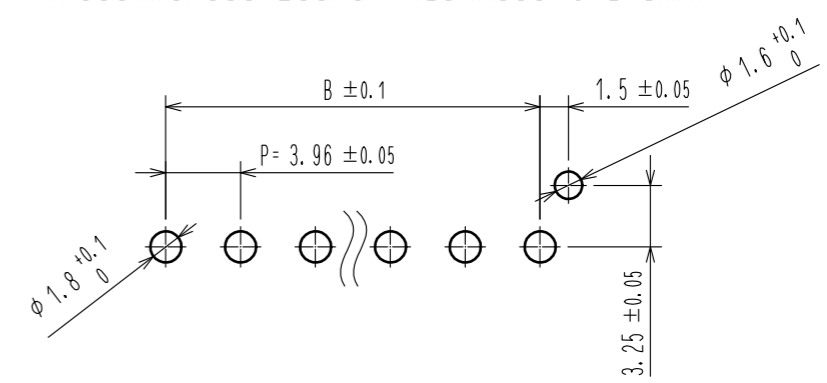


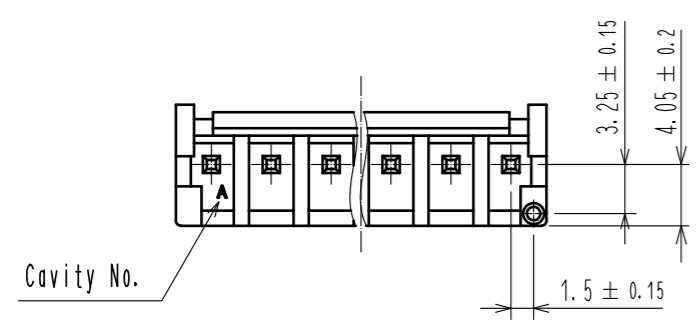
Aug.1.2021 Copyright 2021 HIROSE ELECTRIC CO., LTD. All Rights Reserved.
In case of consideration for using Automotive equipment / device which demand high reliability, kindly contact our sales window correspondents.



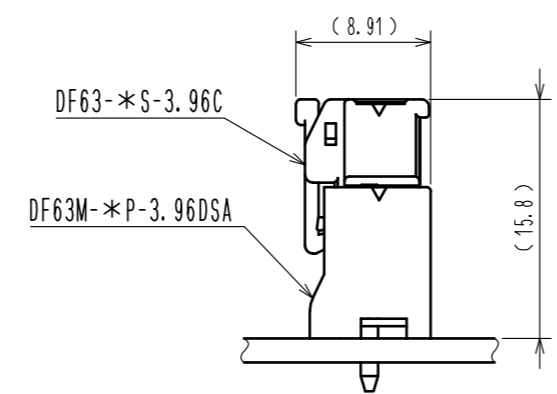
Recommended Pattern (free)
(Recommended Board Thickness t=1.6mm)



| Part Number | HRS No. | Number of Contact | A | B |
|------------------|------------|-------------------|-------|-------|
| DF63M-1P-3.96DSA | 680-0566-0 | 1 | 6.2 | — |
| DF63M-2P-3.96DSA | 680-0567-0 | 2 | 8.66 | 3.96 |
| DF63M-3P-3.96DSA | 680-0568-0 | 3 | 12.62 | 7.92 |
| DF63M-4P-3.96DSA | 680-0569-0 | 4 | 16.58 | 11.88 |



Mating Figure



NOTE. 1. Per Pack : 100 Pieces.
2. The dimension in parenthesis are for reference.
3. UL (File No. E52653)
C-UL (File No. E52653)
TUV (Certificate No. R50318850) authorization article.



| | | | | | |
|---------------------------------|----------|------------------|------------------------------|--|--------------------------|
| 1 | PBT | UL94V-0(BLACK) | 2 | Brass | Tin plating 1μm min |
| NO. | MATERIAL | FINISH . REMARKS | NO. | MATERIAL | FINISH . REMARKS |
| UNITS mm | | SCALE 2 : 1 | COUNT 1 | DESCRIPTION OF REVISIONS DIS-H-00004240 | DESIGNED TS. KUMAZAWA |
| APPROVED : HS. OKAWA | | 20170830 | | DESIGNED | DATE |
| CHECKED : TS. FUKUSHIMA | | 20170830 | | CHECKED | 20180925 |
| DESIGNED : HT. SATO | | 20170830 | | DATE | |
| DRAWN : MI. SAKIMURA | | 20170830 | | DATE | |
| DRAWING NO. EDC-378620-00-00 | | | PART NO. DF63M-*P-3.96DSA | | |
| CODE NO. CL680- | | | 1/1 | | |

X-ON Electronics

Largest Supplier of Electrical and Electronic Components

Click to view similar products for [Power to the Board](#) category:

Click to view products by [Hirose](#) manufacturer:

Other Similar products are found below :

[6450171-4](#) [6450552-7](#) [6600323-8](#) [6643429-1](#) [6646040-2](#) [6651939-1](#) [6766604-1](#) [120959-1](#) [1393557-2](#) [1393532-2](#) [1393532-3](#) [1393532-4](#)
[1393557-1](#) [1600812-5](#) [1-6450861-2](#) [1744132-7](#) [1761122-1](#) [1766250-1](#) [1892109-1](#) [2-6450860-5](#) [2-6450870-0](#) [1-6450161-4](#) [1-6450850-6](#) [1-](#)
[6450869-6](#) [1645526-2](#) [1-6600130-0](#) [2005243-2](#) [TE34-12-16P-F0](#) [5-6450830-6](#) [5646956-4](#) [4-6450830-9](#) [4-6600333-3](#) [10125416-4050LF](#)
[6600320-3](#) [3-6450860-5](#) [1888123-2](#) [6450166-1](#) [6643978-1](#) [6766605-1](#) [N11444](#) [6651938-1](#) [6450810-7](#) [46437-1112](#) [1-1589677-8](#) [5646956-5](#)
[6450813-2](#) [6450129-4](#) [1645523-1](#) [PSS-06-01-T-S](#) [0465621864](#)