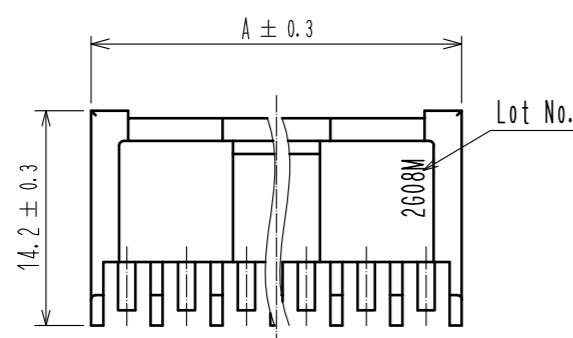
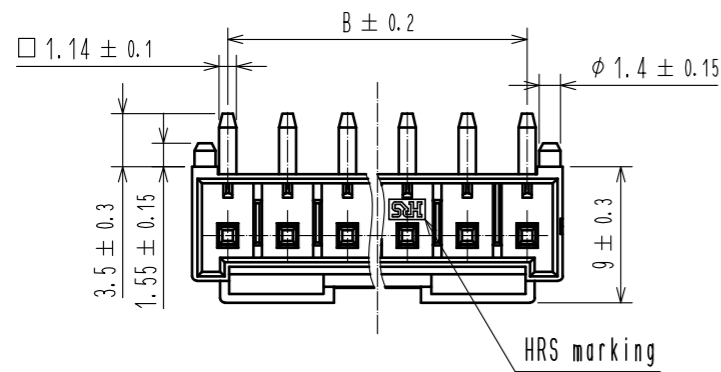
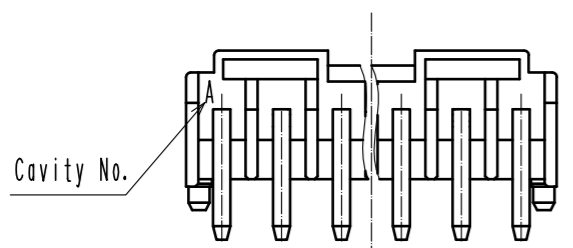


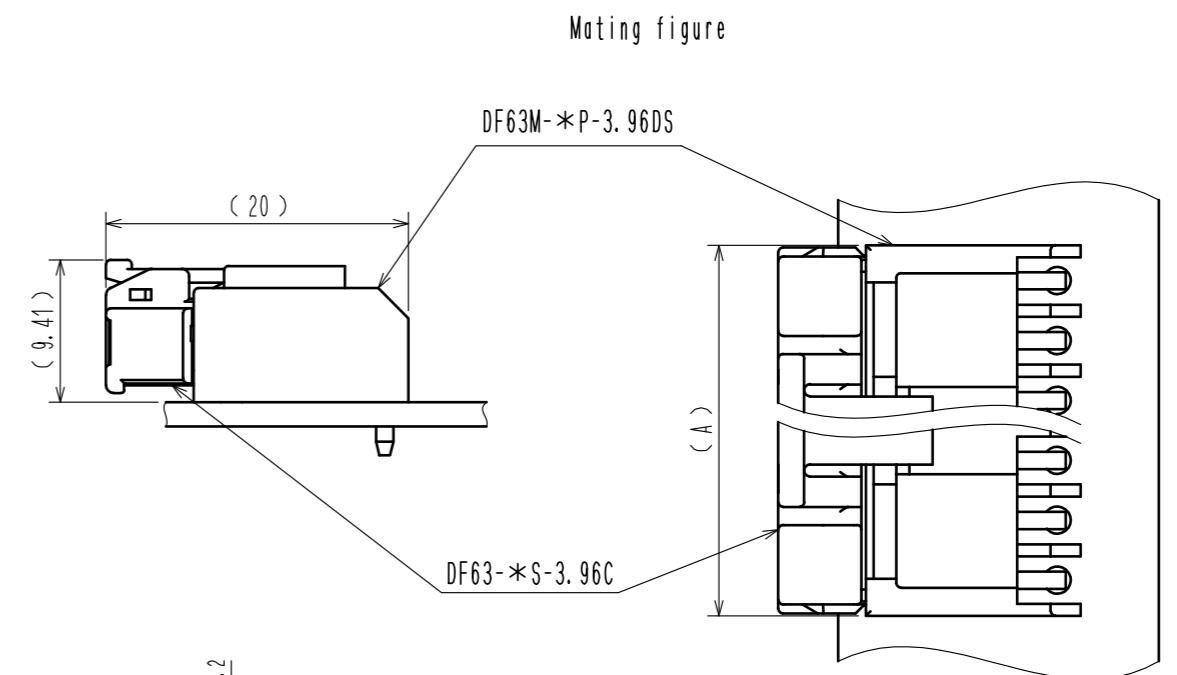
Sep.1.2021 Copyright 2021 HIROSE ELECTRIC CO., LTD. All Rights Reserved.  
In case of consideration for using Automotive equipment / device which demand high reliability, kindly contact our sales window correspondents.



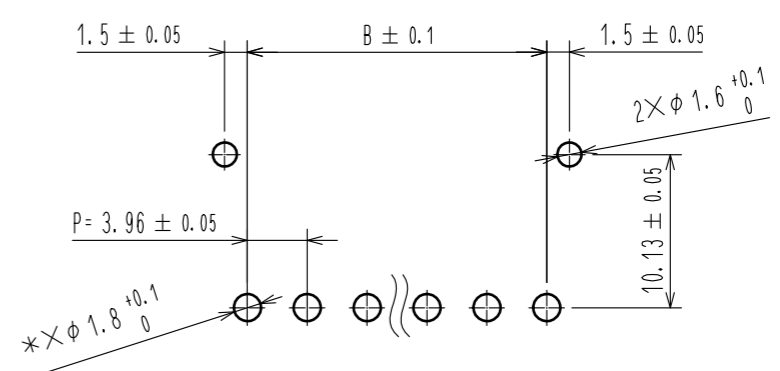
Contact No.1 marking



HRS DRAWING FOR REFERENCE



Recommended pattern(FREE)  
(Recommended board thickness t=1.6mm)



| Part Number     | HRS No.    | Number of Contact(*) | A     | B    |
|-----------------|------------|----------------------|-------|------|
| DF63M-1P-3.96DS | 680-0570-0 | 1                    | 6.2   | —    |
| DF63M-2P-3.96DS | 680-0571-0 | 2                    | 8.66  | 3.96 |
| DF63M-3P-3.96DS | 680-0572-0 | 3                    | 12.62 | 7.92 |

Note 1. Per pack : 100 pieces.  
2. The dimension in parenthesis are for reference.  
3. UL(FIle No. E52653)  
C-UL(Fie No. E52653)  
TUV(Certificate No. R50318850) authorization article.



|                         |          |                  |            |  |                          |
|-------------------------|----------|------------------|------------|--|--------------------------|
| 1                       | PBT      | UL94V-0(BLACK)   | 2          | Brass                                      | Tin plating 1μm MIN      |
| NO.                     | MATERIAL | FINISH . REMARKS | NO.        | MATERIAL                                   | FINISH . REMARKS         |
| UNITS<br>mm             |          | SCALE<br>2 : 1   | COUNT<br>1 | DESCRIPTION OF REVISIONS<br>DIS-H-00004240 | DESIGNED<br>TS. KUMAZAWA |
|                         |          |                  |            | CHECKED<br>SZ. ONO                         | DATE<br>20180925         |
| APPROVED : HS. OKAWA    |          | 20170915         |            | DRAWING NO.<br>EDC-378594-00-00            |                          |
| CHECKED : TS. FUKUSHIMA |          | 20170915         |            | PART NO.<br>DF63M-*P-3.96DS                |                          |
| DESIGNED : HT. SATO     |          | 20170915         |            | CODE NO.<br>CL680-                         |                          |
| DRAWN : MI. SAKIMURA    |          | 20170915         |            |  |                          |

## X-ON Electronics

Largest Supplier of Electrical and Electronic Components

*Click to view similar products for [Power to the Board](#) category:*

*Click to view products by [Hirose](#) manufacturer:*

Other Similar products are found below :

[6450171-4](#) [6450552-7](#) [6600323-8](#) [6643429-1](#) [6646040-2](#) [6651939-1](#) [6766604-1](#) [120959-1](#) [1393557-2](#) [1393532-2](#) [1393532-3](#) [1393532-4](#)  
[1393557-1](#) [1600812-5](#) [1-6450861-2](#) [1744132-7](#) [1761122-1](#) [1766250-1](#) [1892109-1](#) [2-6450860-5](#) [2-6450870-0](#) [1-6450161-4](#) [1-6450850-6](#) [1-](#)  
[6450869-6](#) [1645526-2](#) [1-6600130-0](#) [2005243-2](#) [TE34-12-16P-F0](#) [5-6450830-6](#) [5646956-4](#) [4-6450830-9](#) [4-6600333-3](#) [10125416-4050LF](#)  
[6600320-3](#) [3-6450860-5](#) [1888123-2](#) [6450166-1](#) [6643978-1](#) [6766605-1](#) [N11444](#) [6651938-1](#) [6450810-7](#) [46437-1112](#) [1-1589677-8](#) [5646956-5](#)  
[6450813-2](#) [6450129-4](#) [1645523-1](#) [PSS-06-01-T-S](#) [0465621864](#)