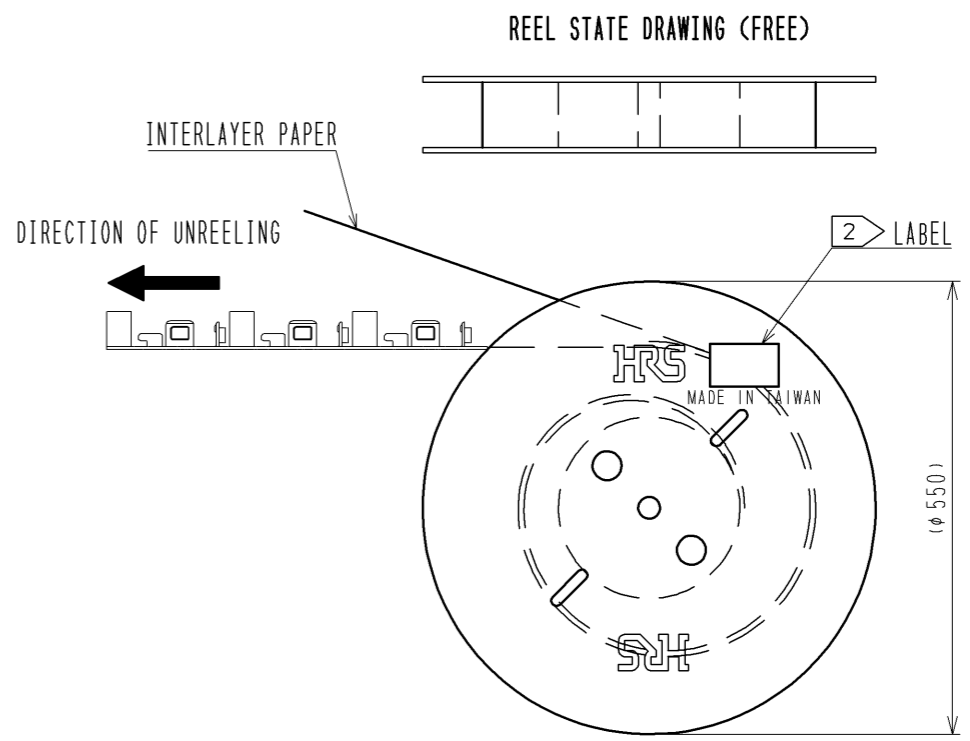
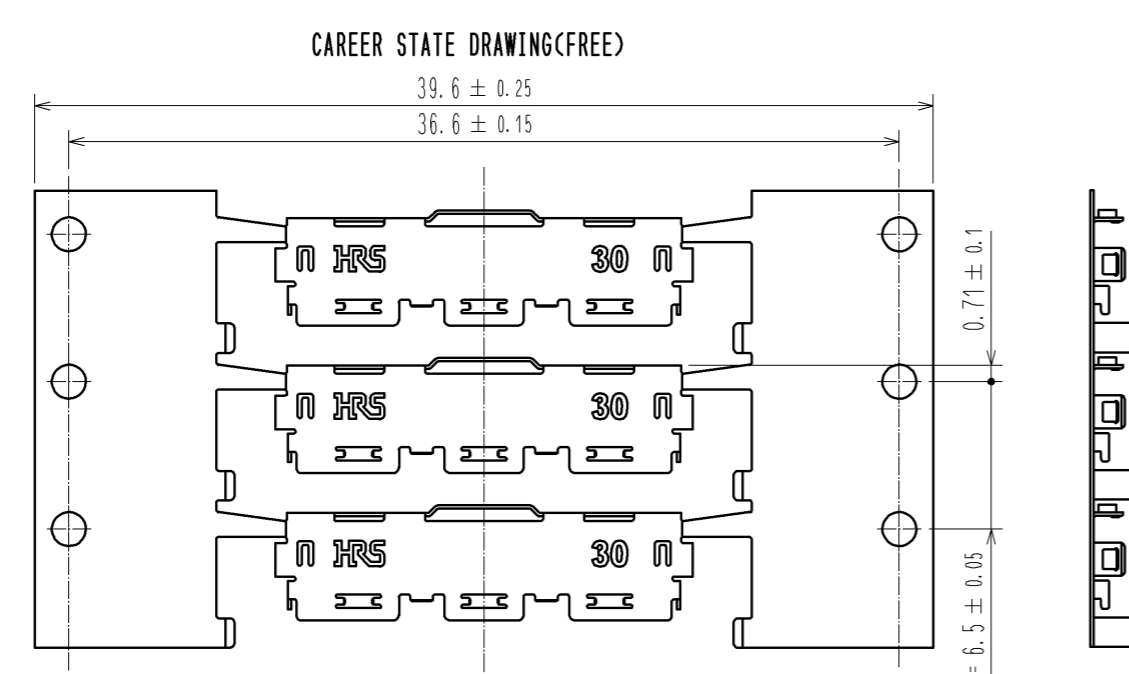
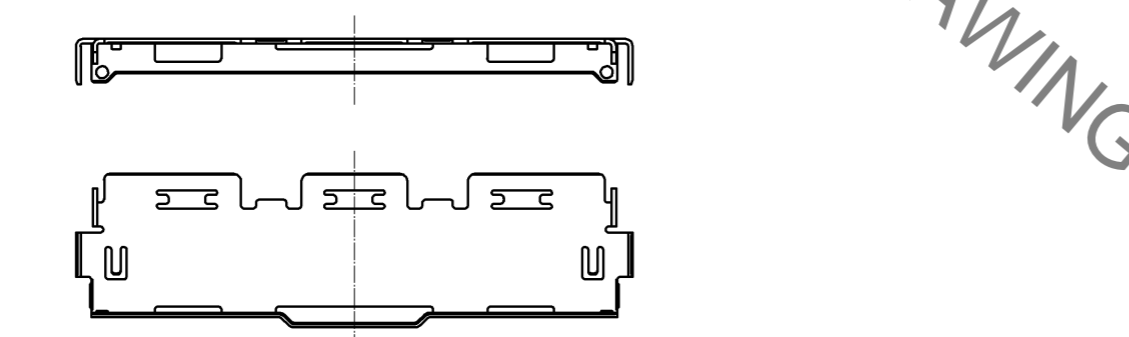
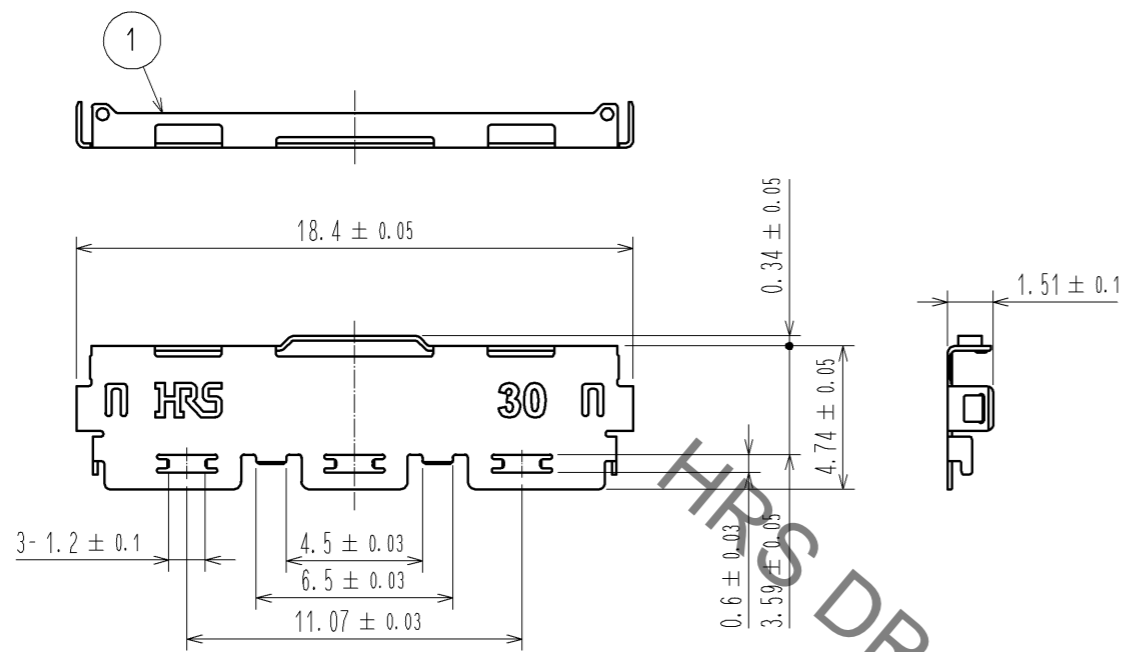


Sep.1.2021 Copyright 2021 HIROSE ELECTRIC CO., LTD. All Rights Reserved.  
In case of consideration for using Automotive equipment / device which demand high reliability, kindly contact our sales window correspondents.



- NOTES
- 1. PER REEL:1,000 COMPONENTS
  - 2. DETAILS OF THE LABEL ARE SHOWN BELOW.
  - 3. THE ASSEMBLY IS COMPLETED BY COMBINING TWO PARTS 'CONNECTOR UNIT, AND METAL SHIELDING'. REFER TO THE TABLE FOR EACH ITEM No. PART NAME, PART No AND CODE No.

2 LABEL DETAILS

HRS		INSPECTION 検査
CODE No. 品名コード	CL662-8006-6-52	
PART NO. 品名	DF80-30P-SHL(52)	
QTY 数量	1,000 PCS	
PECULIAR 仕様		
Lot No		
SPLICE 継ぎ目		

3

ITEM No.	PART NAME	PART No.	CODE No.
-	CONNECTOR UNIT	DF80D-30P-0.5SD(52)	CL662-8018-5-52
1	METAL SHIELDING	DF80-30P-SHL(52)	CL662-8006-6-52

NO.	MATERIAL	FINISH . REMARKS	NO.	MATERIAL	FINISH . REMARKS
			1	STAINLESS	WHOLE AREA : Sn PLATING 1 $\mu$ mMIN UNDER PLATING : Ni PLATING 0.2 $\mu$ mMIN

UNITS mm	SCALE FREE	COUNT	DESCRIPTION OF REVISIONS	DESIGNED	CHECKED	DATE
			APPROVED : MH. YAMANE 13.08.30	DESIGNED	CHECKED	DATE
			CHECED : MH. TSUCHIDA 13.08.30			
			DESIGNED : IO. DENPOUYA 13.08.29			
			DRAWN : IO. DENPOUYA 13.08.29			

DRAWING NO.	PART NO.	CODE NO.
EDC3-338298-02	DF80-30P-SHL(52)	CL662-8006-6-52

## X-ON Electronics

Largest Supplier of Electrical and Electronic Components

*Click to view similar products for [High Speed/Modular Connectors](#) category:*

*Click to view products by [Hirose](#) manufacturer:*

Other Similar products are found below :

[650827-1](#) [74040-1346](#) [1410191-1](#) [1410337-1](#) [1410368-3](#) [1410964-2](#) [1410326-3](#) [1410367-3](#) [1410971-4](#) [1467833-1](#) [2000877-1](#) [2000878-1](#)  
[2041314-1](#) [2065387-1](#) [2187307-1](#) [163P](#) [1934290-1](#) [2000875-1](#) [2065917-1](#) [2102736-2](#) [FSR-40](#) [2169868-2](#) [22354-8](#) [437-5040-000](#) [5-](#)  
[1393565-0](#) [039-0246-000](#) [0740618502](#) [0761601016](#) [10123159-12ELF](#) [030-2415-003/100 PK](#) [030-7380-004](#) [030-2494-001](#) [532939-1](#)  
[5532901-3](#) [3-1469268-7](#) [74748-102LF](#) [73670-0247](#) [10041743-101LF](#) [10066670-100002LF](#) [1-533915-1](#) [249-4515-000](#) [7-1469373-3](#) [DL2-](#)  
[2J/S](#) [2000713-8](#) [2000713-7](#) [3011-21](#) [757105208](#) [EBTF-4-10-2.0-S-RA-1](#) [430305-001](#) [4395800100](#)