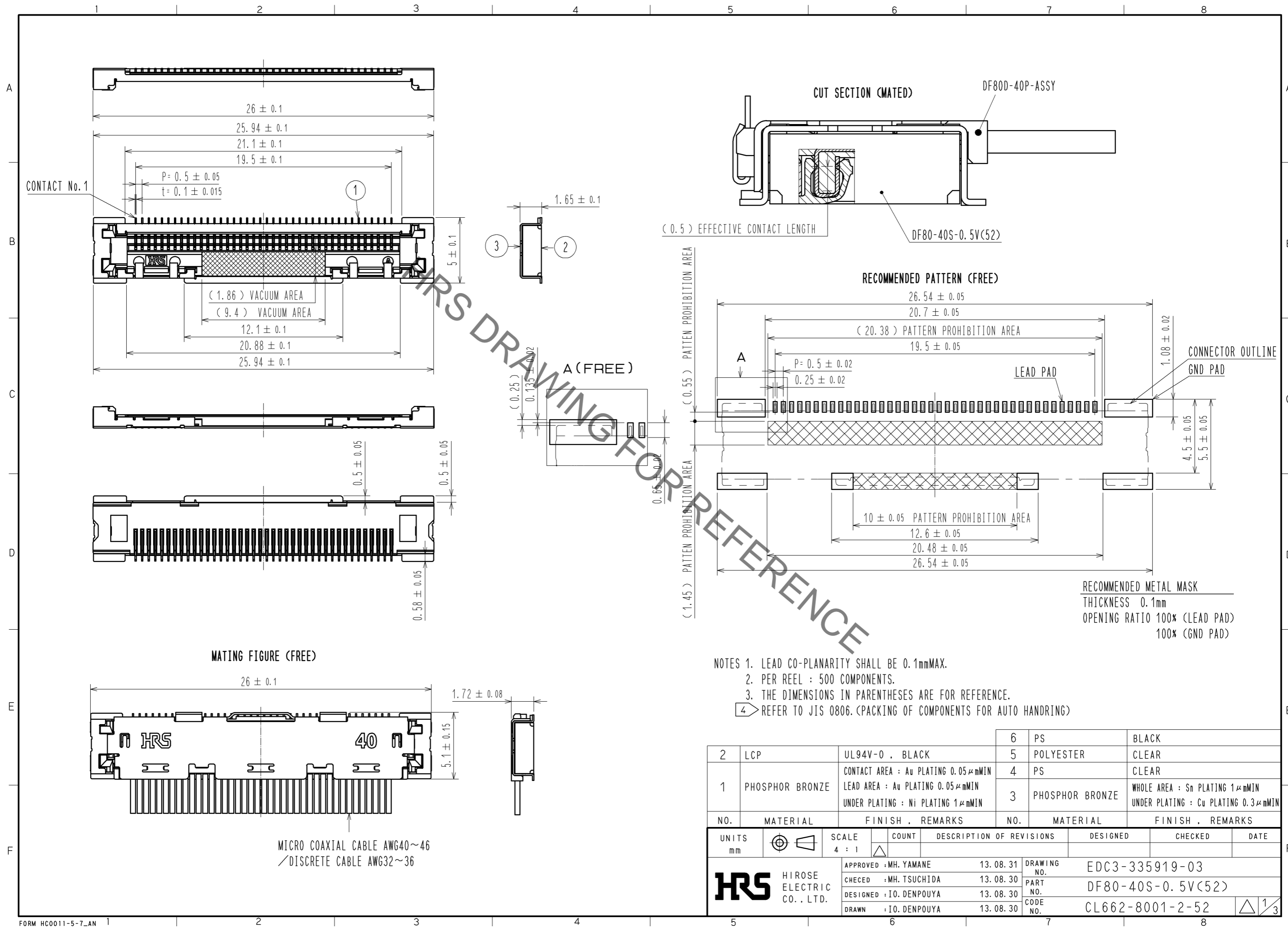
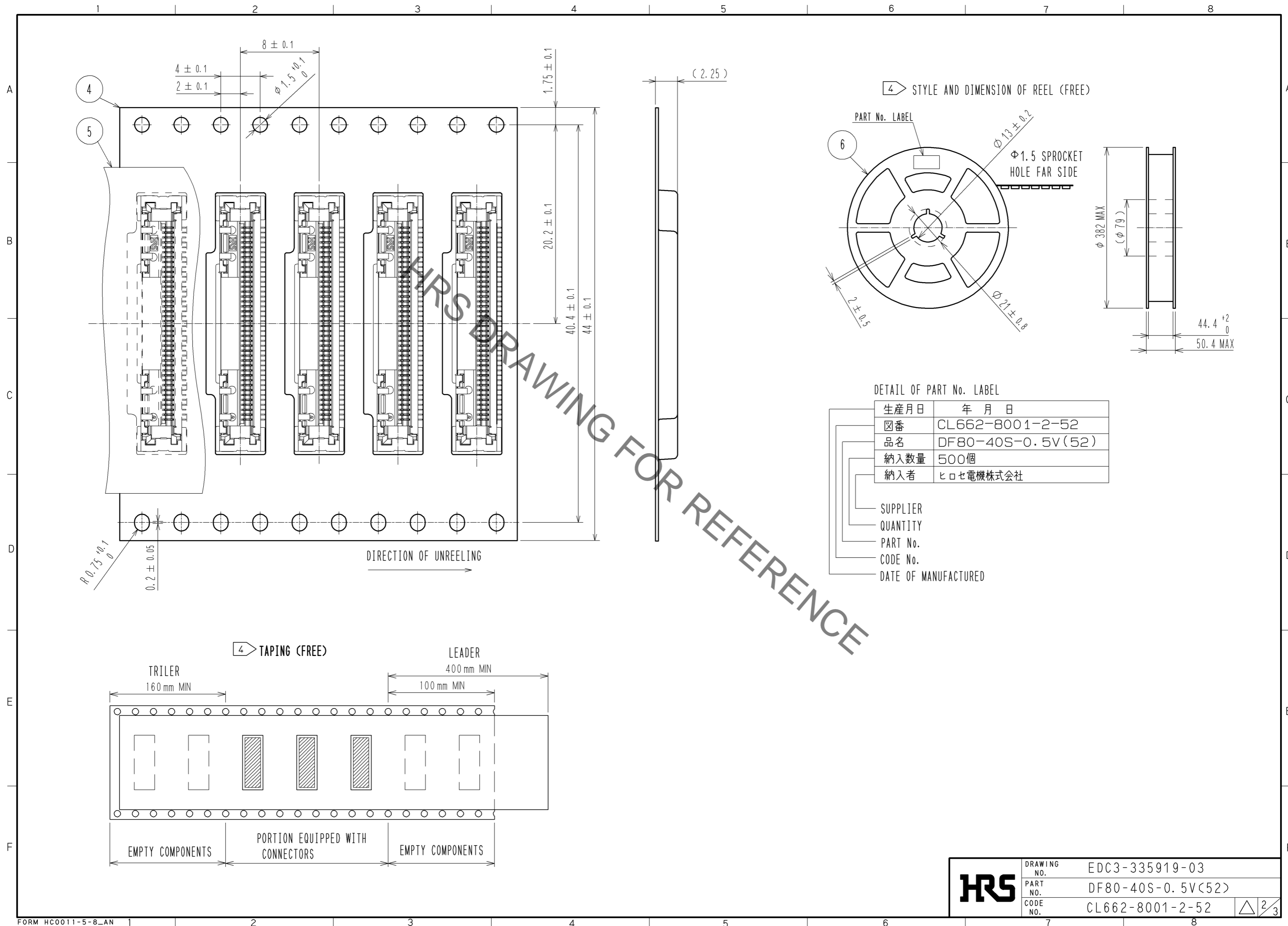


Aug.1.2021 Copyright 2021 HIROSE ELECTRIC CO., LTD. All Rights Reserved.  
In case of consideration for using Automotive equipment / device which demand high reliability, kindly contact our sales window correspondents.



2	LCP	UL94V-0 , BLACK	6	PS	BLACK
1	PHOSPHOR BRONZE	CONTACT AREA : Au PLATING 0.05μmMIN LEAD AREA : Au PLATING 0.05μmMIN UNDER PLATING : Ni PLATING 1μmMIN	5	POLYESTER	CLEAR
			4	PS	CLEAR
			3	PHOSPHOR BRONZE	WHOLE AREA : Sn PLATING 1μmMIN UNDER PLATING : Cu PLATING 0.3μmMIN
NO.	MATERIAL	FINISH , REMARKS	NO.	MATERIAL	FINISH , REMARKS
UNITS mm		SCALE 4 : 1	COUNT 	DESCRIPTION OF REVISIONS	
APPROVED : MH. YAMANE 13.08.31			DESIGNED	DATE	
CHECED : MH. TSUCHIDA 13.08.30			DESIGNED	DATE	
DESIGNED : IO. DENPOUYA 13.08.30			CHECKED	DATE	
DRAWN : IO. DENPOUYA 13.08.30			DATE	DATE	
<b>HRS</b> HIROSE ELECTRIC CO., LTD.			DRAWING NO.	EDC3-335919-03	
			PART NO.	DF80-40S-0.5V(52)	
			CODE NO.	CL662-8001-2-52	

Aug.1.2021 Copyright 2021 HIROSE ELECTRIC CO., LTD. All Rights Reserved.  
 In case of consideration for using Automotive equipment / device which demand high reliability, kindly contact our sales window correspondents.



<b>HRS</b>	DRAWING NO.	EDC3-335919-03
	PART NO.	DF80-40S-0.5V(52)
	CODE NO.	CL662-8001-2-52
		$\triangle$ 2/3

Aug.1.2021 Copyright 2021 HIROSE ELECTRIC CO., LTD. All Rights Reserved.  
In case of consideration for using Automotive equipment / device which demand high reliability, kindly contact our sales window correspondents.

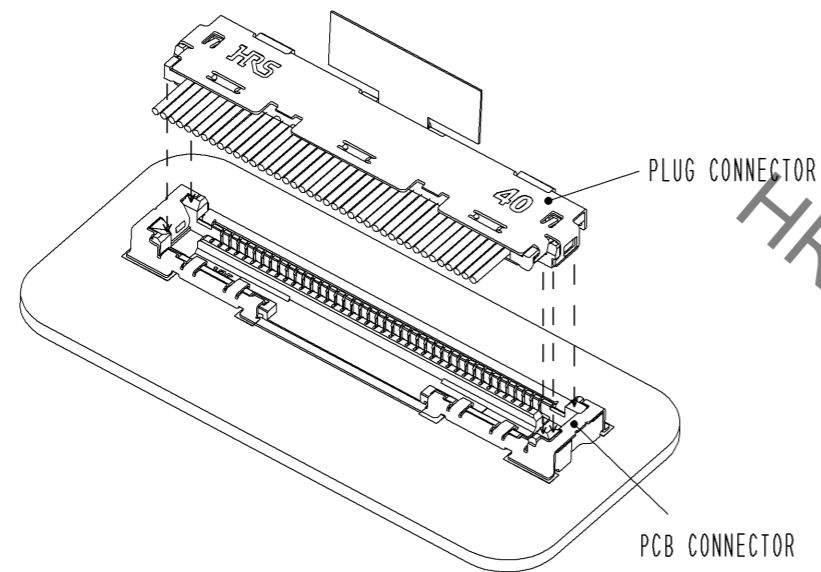
**[ CONNECTOR INSERTION ]**

1. ALIGN THE PLUG CONNECTOR TO THE GUIDES ON PCB CONNECTOR AND INSERT.
2. APPLY EVEN FORCE TO THE PLUG CONNECTOR SURFACE AND FEEL TACTILE CLICK FOR COMPLETE LOCK.

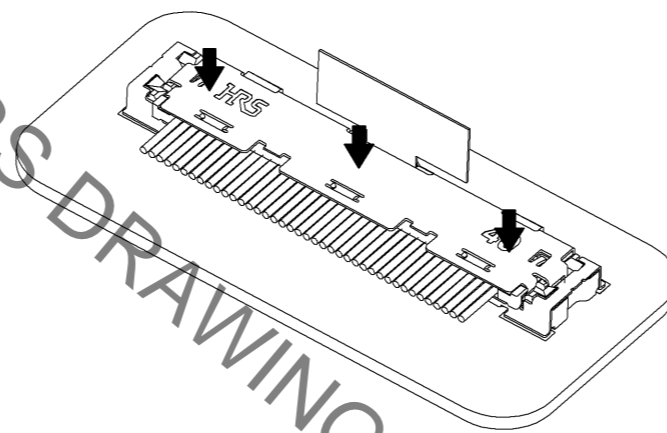
**SUPPLEMENTATION**

TOTAL HEIGHT IS KEPT WITHIN THE HEIGHT OF MATED CONNECTORS BY LAYING DOWN THE PULL TAB AS SHOWN.

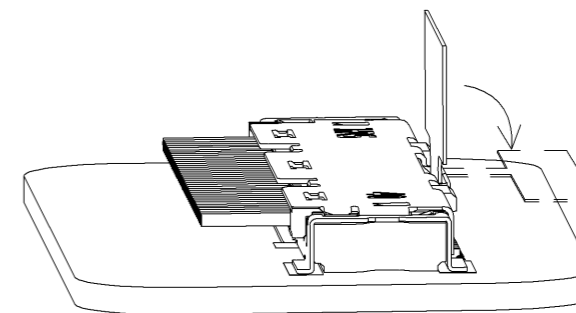
PROCEDURE 1



PROCEDURE 2



SUPPLEMENTATION :  
METHOD OF STORING PULL TAB



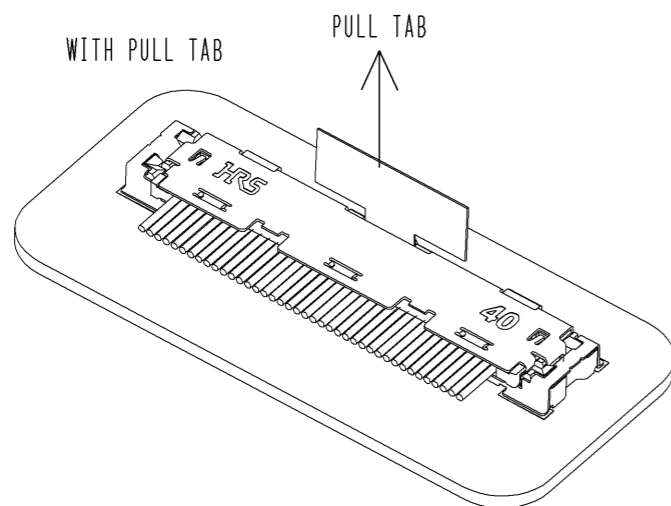
**[ CONNECTOR WITHDRAWAL ]**

**<WITH PULL TAB>**

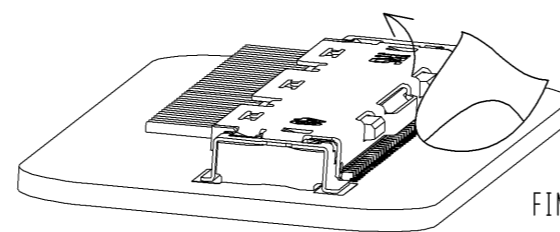
BY PULLING UP THE TAB TO THE DIRECTION INDICATED WITH THE ARROW , PLUG CONNECTOR IS RELEASED.

**<WITHOUT PULL TAB>**

BY HOOKING THE PLUG CONNECTOR AT THE POSITION SHOWN WITH FINGER AND PULLING UP, PLUG CONNECTOR IS RELEASED.



WITHOUT PULL TAB



HRS DRAWING FOR REFERENCE



DRAWING NO.	EDC3-335919-03
PART NO.	DF80-40S-0.5V<52>
CODE NO.	CL662-8001-2-52

3/3

## X-ON Electronics

Largest Supplier of Electrical and Electronic Components

*Click to view similar products for [High Speed/Modular Connectors](#) category:*

*Click to view products by [Hirose](#) manufacturer:*

Other Similar products are found below :

[650827-1](#) [74040-1346](#) [1410191-1](#) [1410337-1](#) [1410368-3](#) [1410964-2](#) [1410326-3](#) [1410367-3](#) [1410971-4](#) [1467833-1](#) [2000877-1](#) [2000878-1](#)  
[2041314-1](#) [2065387-1](#) [2187307-1](#) [163P](#) [1934290-1](#) [2000875-1](#) [2065917-1](#) [2102736-2](#) [FSR-40](#) [2169868-2](#) [22354-8](#) [437-5040-000](#) [5-](#)  
[1393565-0](#) [039-0246-000](#) [0740618502](#) [0761601016](#) [10123159-12ELF](#) [030-2415-003/100 PK](#) [030-7380-004](#) [030-2494-001](#) [532939-1](#)  
[5532901-3](#) [3-1469268-7](#) [74748-102LF](#) [73670-0247](#) [10041743-101LF](#) [10066670-100002LF](#) [1-533915-1](#) [249-4515-000](#) [7-1469373-3](#) [DL2-](#)  
[2J/S](#) [2000713-8](#) [2000713-7](#) [3011-21](#) [757105208](#) [EBTF-4-10-2.0-S-RA-1](#) [430305-001](#) [4395800100](#)