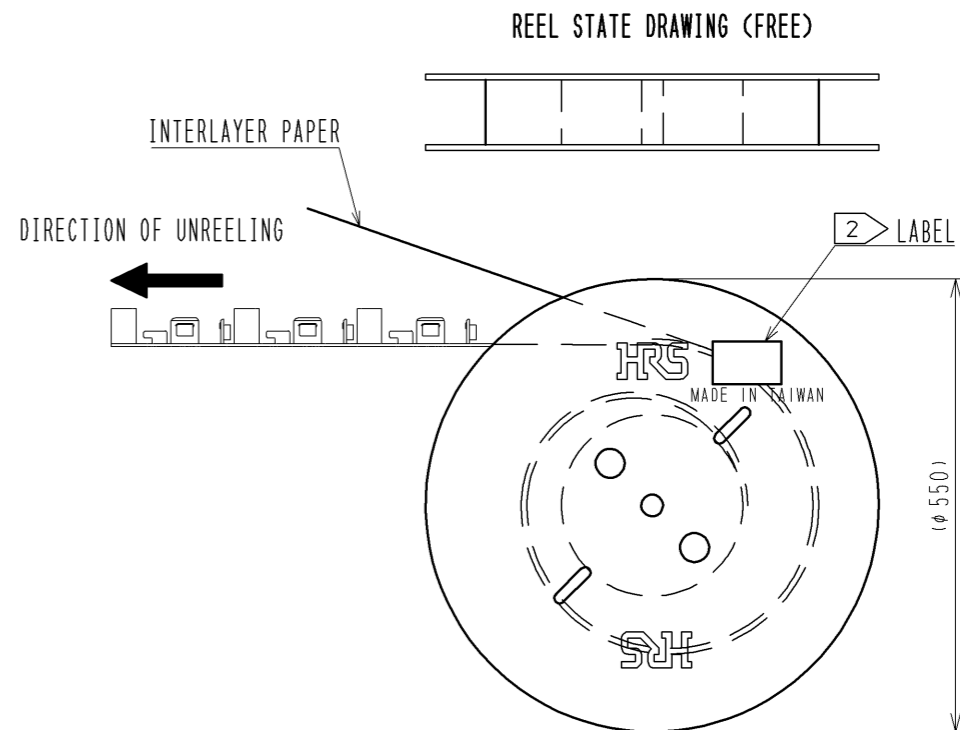
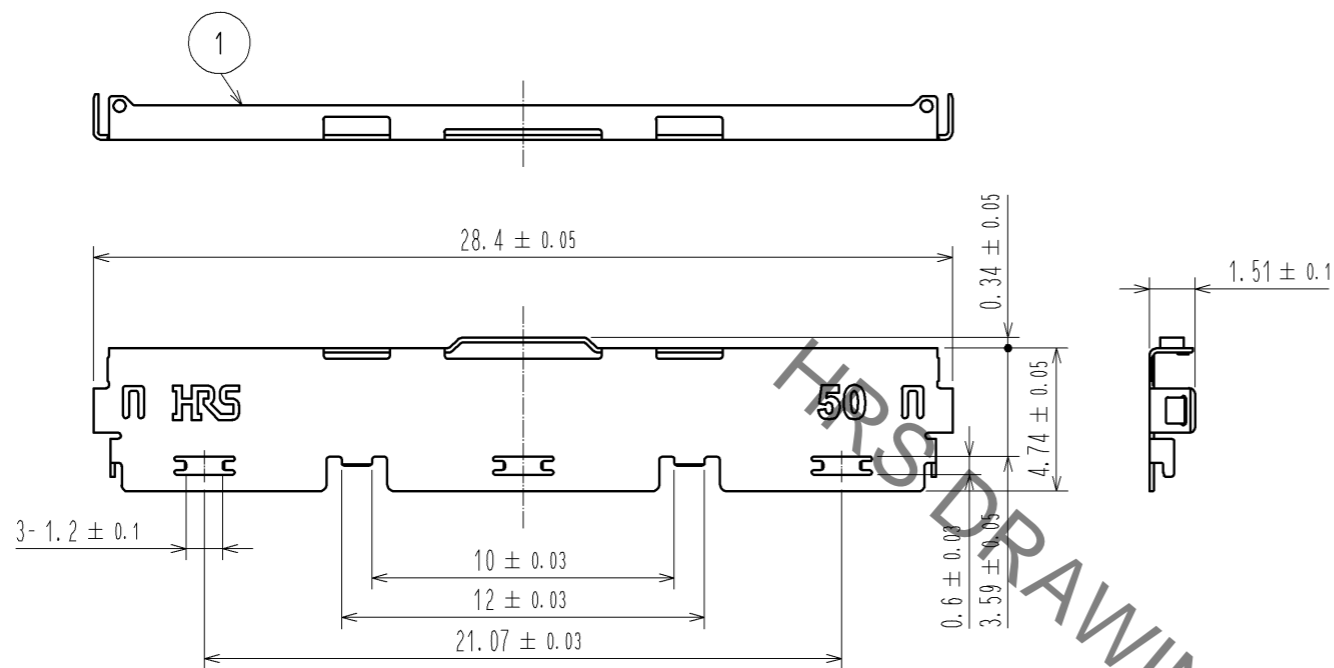


Sep.1.2021 Copyright 2021 HIROSE ELECTRIC CO., LTD. All Rights Reserved.  
In case of consideration for using Automotive equipment / device which demand high reliability, kindly contact our sales window correspondents.



NOTES

- 1. PER REEL:10000 COMPONENTS
- 2. DETAILS OF THE LABEL ARE SHOWN BELOW.
- 3. THE ASSEMBLY IS COMPLETED BY COMBINING TWO PARTS 'CONNECTOR UNIT, AND METAL SHIELDING'. REFER TO THE TABLE FOR EACH ITEM No. PART NAME, PART No AND CODE No.

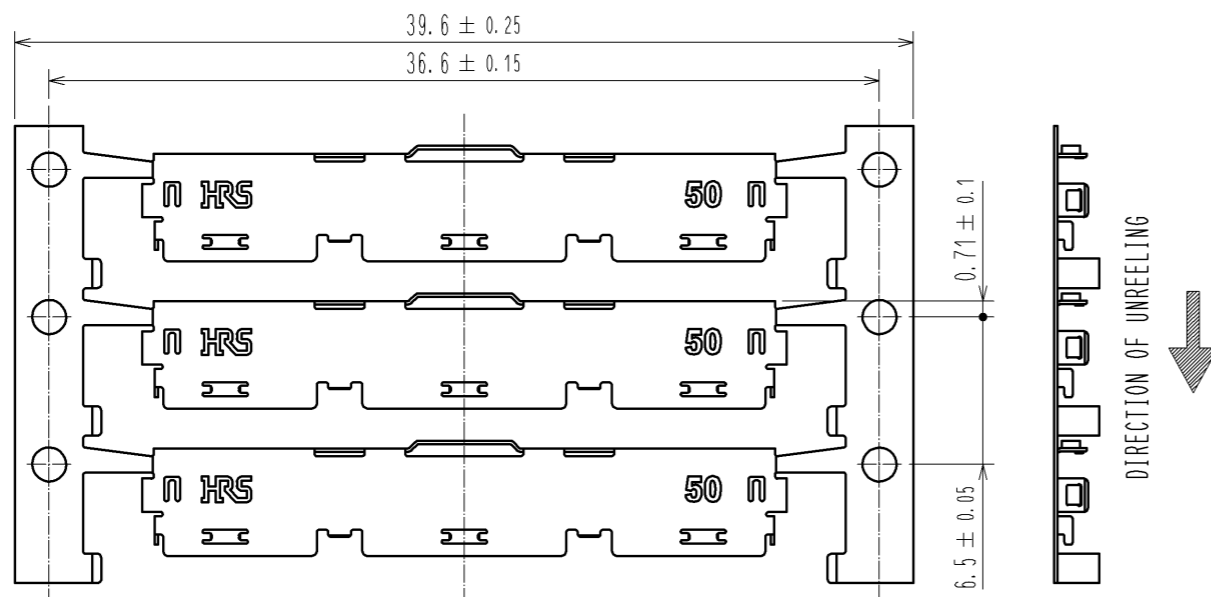
2 LABEL DETAILS

HRS		INSPECTION 検査
CODE NO. 品名コード	CL662-8009-4	
PART NO. 品名	DF80-50P-SHL	
QTY 数量	10,000 PCS	
PECULIAR 仕様		
Lot No		
SPLICE 継ぎ目		

3

ITEM No.	PART NAME	PART No.	CODE No.
-	CONNECTOR UNIT	DF80D-50P-0.5SD(51)	CL662-8020-7-51
1	METAL SHIELDING	DF80-50P-SHL	CL662-8009-4-00

CAREER STATE DRAWING(FREE)



NO.	MATERIAL	FINISH . REMARKS	NO.	MATERIAL	FINISH . REMARKS
			1	STAINLESS	WHOLE AREA : Sn PLATING 1μmMIN UNDER PLATING : Ni PLATING 0.2μmMIN

UNITS mm	SCALE FREE	COUNT 1	DESCRIPTION OF REVISIONS DIS-D-003054	DESIGNED IO. DENPOUYA	CHECKED MH. TSUCHIDA	DATE 13.10.22
<b>HRS</b> HIROSE ELECTRIC CO., LTD.	APPROVED : TS. SAKATA	12.04.17	DRAWING NO. EDC3-338301-01 PART NO. DF80-50P-SHL CODE NO. CL662-8009-4-00			
	CHECED : TS. SAKATA	12.04.17				
	DESIGNED : IO. DENPOUYA	12.04.17				
	DRAWN : IO. DENPOUYA	12.04.17				

## X-ON Electronics

Largest Supplier of Electrical and Electronic Components

*Click to view similar products for [High Speed/Modular Connectors](#) category:*

*Click to view products by [Hirose](#) manufacturer:*

Other Similar products are found below :

[650827-1](#) [74040-1346](#) [1410191-1](#) [1410337-1](#) [1410368-3](#) [1410964-2](#) [1410326-3](#) [1410367-3](#) [1410971-4](#) [1467833-1](#) [2000877-1](#) [2000878-1](#)  
[2041314-1](#) [2065387-1](#) [2187307-1](#) [163P](#) [1934290-1](#) [2000875-1](#) [2065917-1](#) [2102736-2](#) [FSR-40](#) [2169868-2](#) [22354-8](#) [437-5040-000](#) [5-](#)  
[1393565-0](#) [039-0246-000](#) [0740618502](#) [0761601016](#) [10123159-12ELF](#) [030-2415-003/100 PK](#) [030-7380-004](#) [030-2494-001](#) [532939-1](#)  
[5532901-3](#) [3-1469268-7](#) [74748-102LF](#) [73670-0247](#) [10041743-101LF](#) [10066670-100002LF](#) [1-533915-1](#) [249-4515-000](#) [7-1469373-3](#) [DL2-](#)  
[2J/S](#) [2000713-8](#) [2000713-7](#) [3011-21](#) [757105208](#) [EBTF-4-10-2.0-S-RA-1](#) [430305-001](#) [4395800100](#)