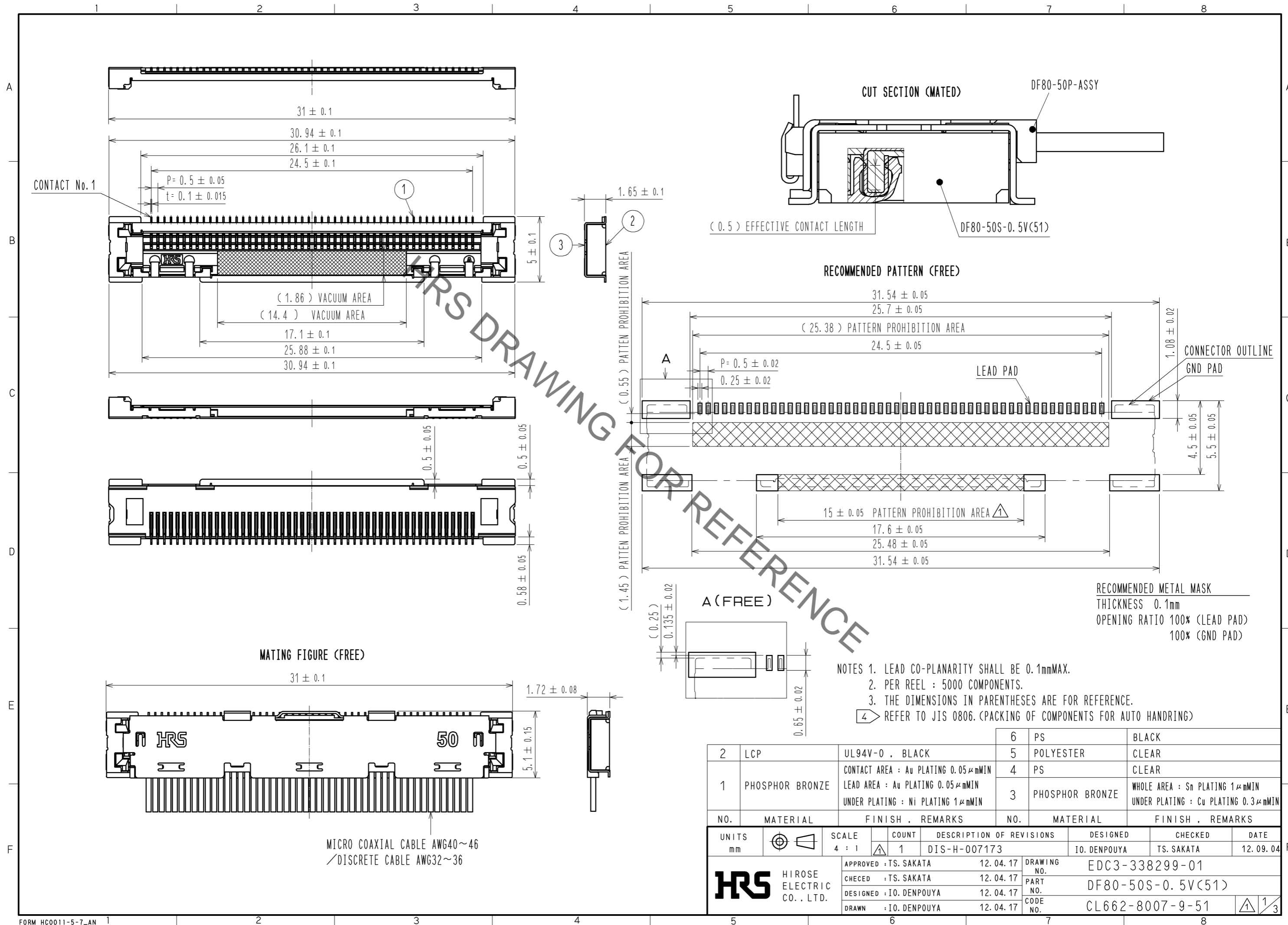


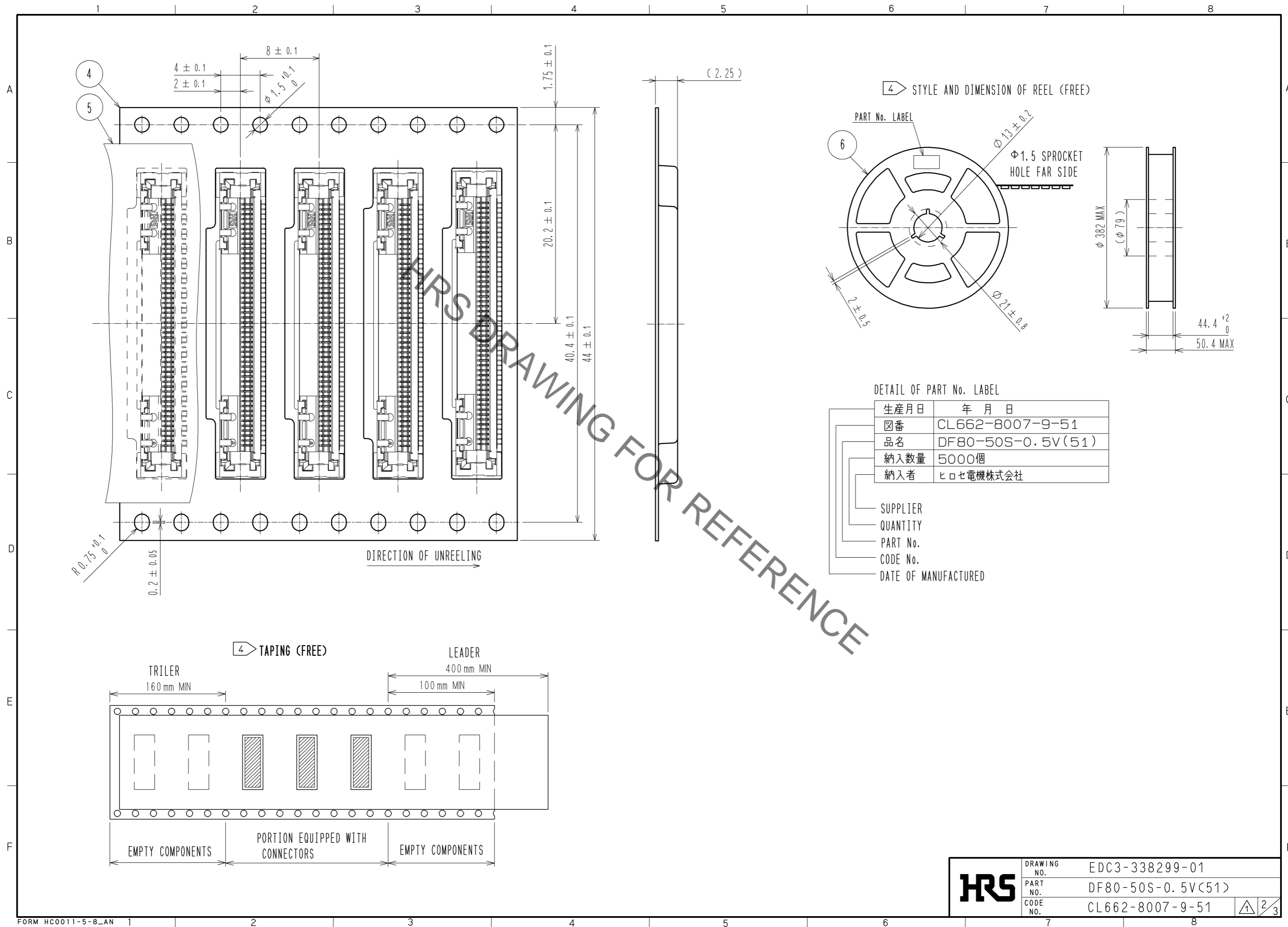
Sep.1.2021 Copyright 2021 HIROSE ELECTRIC CO., LTD. All Rights Reserved.  
In case of consideration for using Automotive equipment / device which demand high reliability, kindly contact our sales window correspondents.



| 2   | LCP             | UL94V-0 , BLACK  | 6   | PS              | BLACK   |
|-----|-----------------|--|-----|-----------------|---|
| 1   | PHOSPHOR BRONZE | CONTACT AREA : Au PLATING 0.05μmMIN<br>LEAD AREA : Au PLATING 0.05μmMIN<br>UNDER PLATING : Ni PLATING 1μmMIN | 5   | POLYESTER       | CLEAR   |
|     |                 |  | 4   | PS              | CLEAR   |
|     |                 |  | 3   | PHOSPHOR BRONZE | WHOLE AREA : Sn PLATING 1μmMIN<br>UNDER PLATING : Cu PLATING 0.3μmMIN |
| NO. | MATERIAL        | FINISH . REMARKS   | NO. | MATERIAL        | FINISH . REMARKS  |

|                                      |  |                         |            |  |                          |                       |                  |
|--------------------------------------|--|-------------------------|------------|--|--------------------------|-----------------------|------------------|
| UNITS<br>mm                          |  | SCALE<br>4 : 1          | COUNT<br>1 | DESCRIPTION OF REVISIONS<br>DIS-H-007173 | DESIGNED<br>IO. DENPOUYA | CHECKED<br>TS. SAKATA | DATE<br>12.09.04 |
| <b>HRS</b> HIROSE ELECTRIC CO., LTD. |  | APPROVED : TS. SAKATA   | 12.04.17   | DRAWING NO.                              | EDC3-338299-01           |                       |                  |
|                                      |  | CHECED : TS. SAKATA     | 12.04.17   | PART NO.                                 | DF80-50S-0.5V(51)        |                       |                  |
|                                      |  | DESIGNED : IO. DENPOUYA | 12.04.17   | CODE NO.                                 | CL662-8007-9-51          |                       |                  |
|                                      |  | DRAWN : IO. DENPOUYA    | 12.04.17   |  | 1/3                      |                       |                  |

Sep.1.2021 Copyright 2021 HIROSE ELECTRIC CO., LTD. All Rights Reserved.  
 In case of consideration for using Automotive equipment / device which demand high reliability, kindly contact our sales window correspondents.



|            |             |                   |
|------------|-------------|-------------------|
| <b>HRS</b> | DRAWING NO. | EDC3-338299-01    |
|            | PART NO.    | DF80-50S-0.5V(51) |
|            | CODE NO.    | CL662-8007-9-51   |
|            |             |                   |

Sep.1.2021 Copyright 2021 HIROSE ELECTRIC CO., LTD. All Rights Reserved.  
In case of consideration for using Automotive equipment / device which demand high reliability, kindly contact our sales window correspondents.

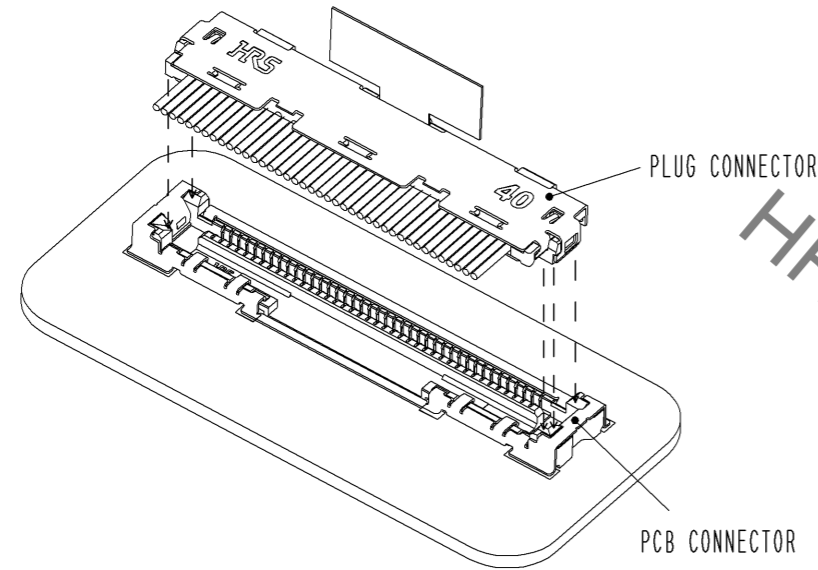
**[ CONNECTOR INSERTION ]**

1. ALIGN THE PLUG CONNECTOR TO THE GUIDES ON PCB CONNECTOR AND INSERT.
2. APPLY EVEN FORCE TO THE PLUG CONNECTOR SURFACE AND FEEL TACTILE CLICK FOR COMPLETE LOCK.

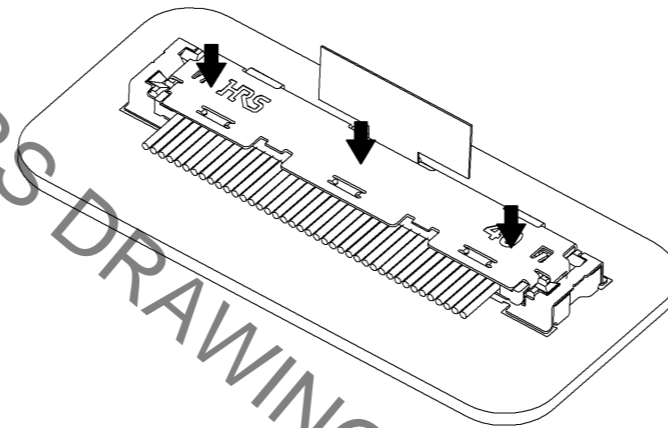
**SUPPLEMENTATION**

TOTAL HEIGHT IS KEPT WITHIN THE HEIGHT OF MATED CONNECTORS BY LAYING DOWN THE PULL TAB AS SHOWN.

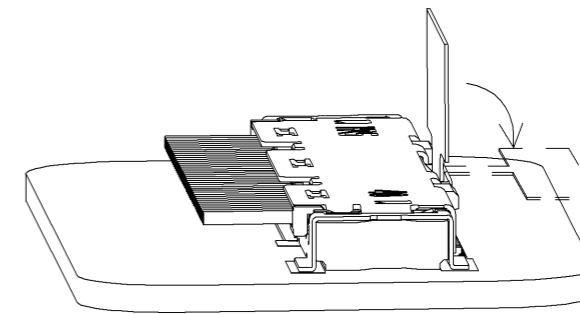
**PROCEDURE 1**



**PROCEDURE 2**



**SUPPLEMENTATION :  
METHOD OF STORING PULL TAB**



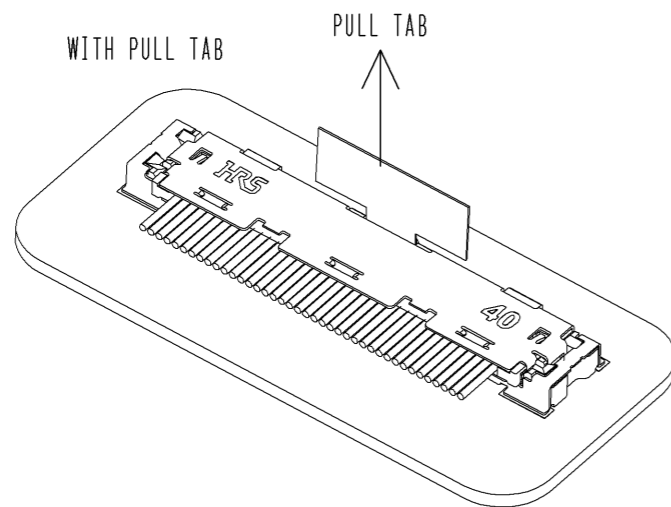
**[ CONNECTOR WITHDRAWAL ]**

**<WITH PULL TAB>**

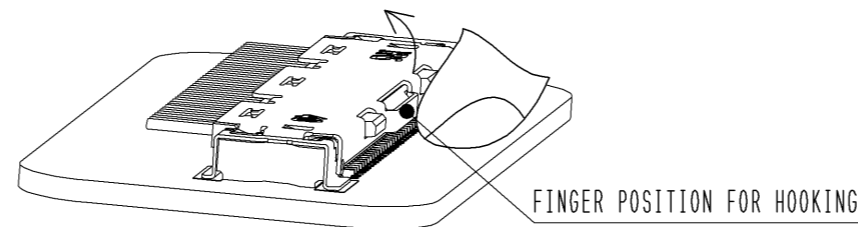
BY PULLING UP THE TAB TO THE DIRECTION INDICATED WITH THE ARROW , PLUG CONNECTOR IS RELEASED.

**<WITHOUT PULL TAB>**

BY HOOKING THE PLUG CONNECTOR AT THE POSITION SHOWN WITH FINGER AND PULLING UP, PLUG CONNECTOR IS RELEASED.



**WITHOUT PULL TAB**



HRS DRAWING FOR REFERENCE

|            |             |                   |
|------------|-------------|-------------------|
| <b>HRS</b> | DRAWING NO. | EDC3-338299-01    |
|            | PART NO.    | DF80-50S-0.5V<51> |
|            | CODE NO.    | CL662-8007-9-51   |
|            |             | 3/3               |

## X-ON Electronics

Largest Supplier of Electrical and Electronic Components

*Click to view similar products for [High Speed/Modular Connectors](#) category:*

*Click to view products by [Hirose](#) manufacturer:*

Other Similar products are found below :

[650827-1](#) [74040-1346](#) [1410191-1](#) [1410337-1](#) [1410368-3](#) [1410964-2](#) [1410326-3](#) [1410367-3](#) [1410971-4](#) [1467833-1](#) [2000877-1](#) [2000878-1](#)  
[2041314-1](#) [2065387-1](#) [2187307-1](#) [163P](#) [1934290-1](#) [2000875-1](#) [2065917-1](#) [2102736-2](#) [FSR-40](#) [2169868-2](#) [22354-8](#) [437-5040-000](#) [5-](#)  
[1393565-0](#) [039-0246-000](#) [0740618502](#) [0761601016](#) [10123159-12ELF](#) [030-2415-003/100 PK](#) [030-7380-004](#) [030-2494-001](#) [532939-1](#)  
[5532901-3](#) [3-1469268-7](#) [74748-102LF](#) [73670-0247](#) [10041743-101LF](#) [10066670-100002LF](#) [1-533915-1](#) [249-4515-000](#) [7-1469373-3](#) [DL2-](#)  
[2J/S](#) [2000713-8](#) [2000713-7](#) [3011-21](#) [757105208](#) [EBTF-4-10-2.0-S-RA-1](#) [430305-001](#) [4395800100](#)