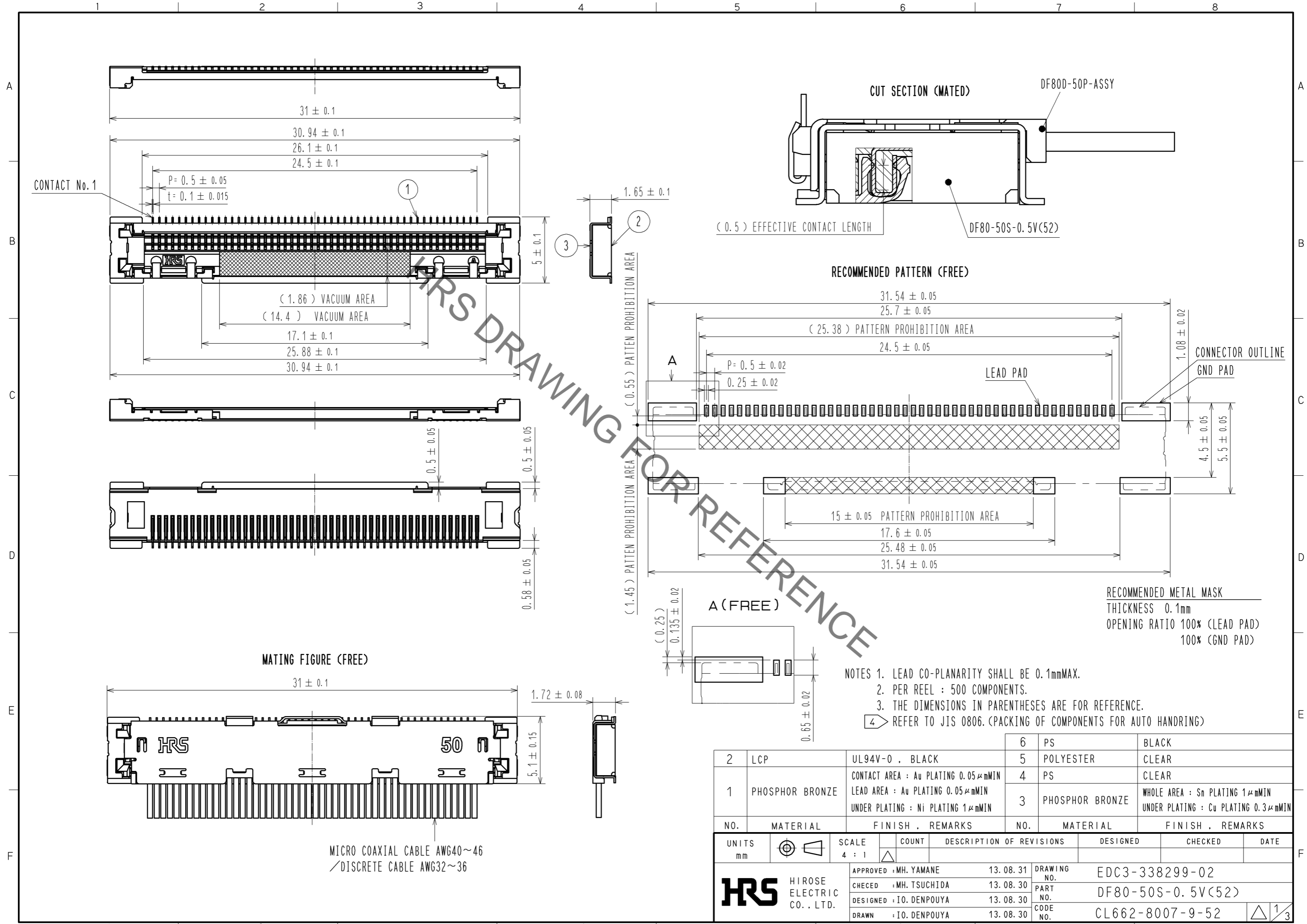


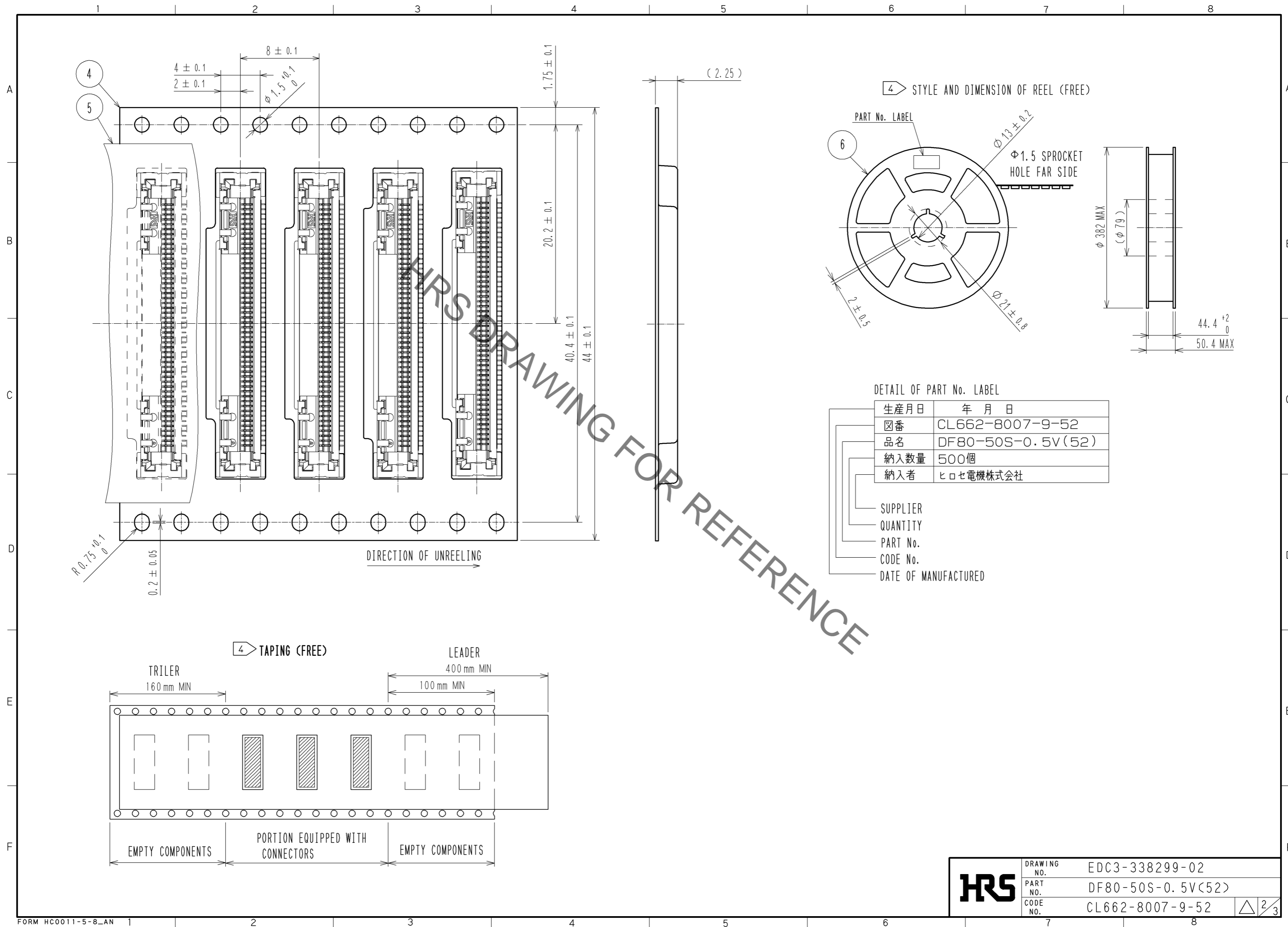
Sep.1.2021 Copyright 2021 HIROSE ELECTRIC CO., LTD. All Rights Reserved.
In case of consideration for using Automotive equipment / device which demand high reliability, kindly contact our sales window correspondents.



NO.	MATERIAL	FINISH .	REMARKS	NO.	MATERIAL	FINISH .	REMARKS
2	LCP		UL94V-0 , BLACK	6	PS		BLACK
1	PHOSPHOR BRONZE		CONTACT AREA : Au PLATING 0.05μmMIN LEAD AREA : Au PLATING 0.05μmMIN UNDER PLATING : Ni PLATING 1μmMIN	5	POLYESTER		CLEAR
				4	PS		CLEAR
				3	PHOSPHOR BRONZE		WHOLE AREA : Sn PLATING 1μmMIN UNDER PLATING : Cu PLATING 0.3μmMIN

UNITS	SCALE	COUNT	DESCRIPTION OF REVISIONS	DESIGNED	CHECKED	DATE
mm	4 : 1	△				
APPROVED : MH. YAMANE			13.08.31	DRAWING NO. EDC3-338299-02		
CHECKED : MH. TSUCHIDA			13.08.30	PART NO. DF80-50S-0.5V(52)		
DESIGNED : IO. DENPOUYA			13.08.30	CODE NO. CL662-8007-9-52		
DRAWN : IO. DENPOUYA			13.08.30	1/3		

Sep.1.2021 Copyright 2021 HIROSE ELECTRIC CO., LTD. All Rights Reserved.
 In case of consideration for using Automotive equipment / device which demand high reliability, kindly contact our sales window correspondents.



HRS	DRAWING NO.	EDC3-338299-02
	PART NO.	DF80-50S-0.5V(52)
	CODE NO.	CL662-8007-9-52
		△ 2/3

Sep.1.2021 Copyright 2021 HIROSE ELECTRIC CO., LTD. All Rights Reserved.
In case of consideration for using Automotive equipment / device which demand high reliability, kindly contact our sales window correspondents.

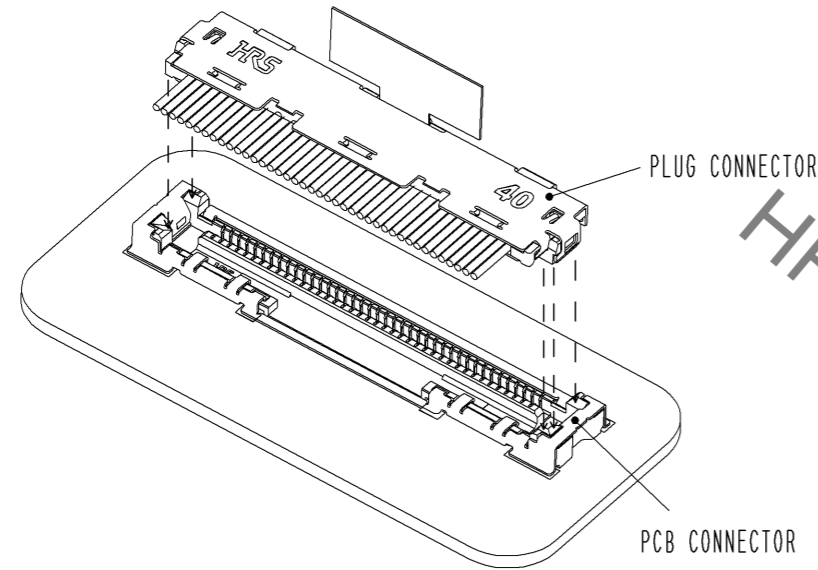
[CONNECTOR INSERTION]

1. ALIGN THE PLUG CONNECTOR TO THE GUIDES ON PCB CONNECTOR AND INSERT.
2. APPLY EVEN FORCE TO THE PLUG CONNECTOR SURFACE AND FEEL TACTILE CLICK FOR COMPLETE LOCK.

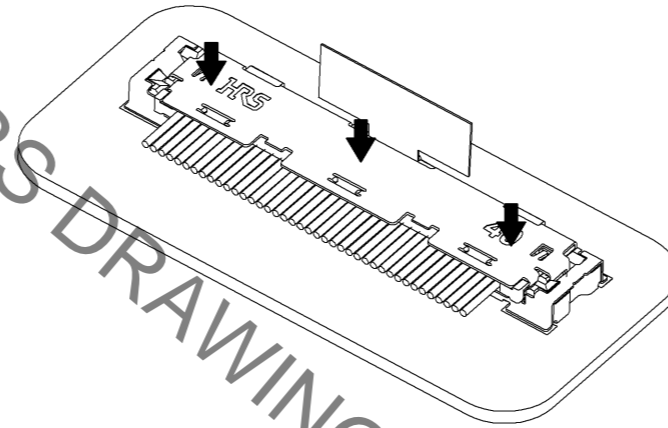
SUPPLEMENTATION

TOTAL HEIGHT IS KEPT WITHIN THE HEIGHT OF MATED CONNECTORS BY LAYING DOWN THE PULL TAB AS SHOWN.

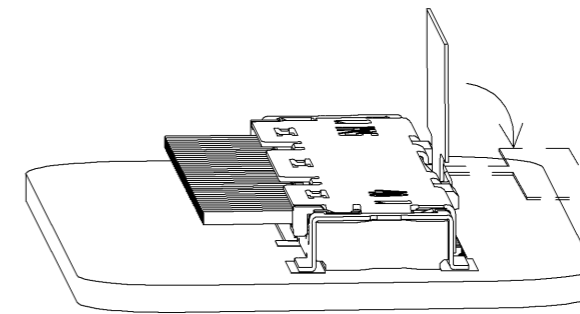
PROCEDURE 1



PROCEDURE 2



**SUPPLEMENTATION :
METHOD OF STORING PULL TAB**



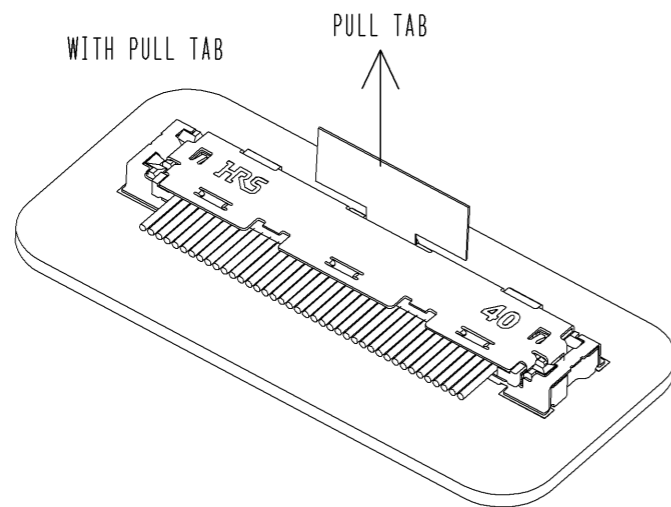
[CONNECTOR WITHDRAWAL]

<WITH PULL TAB>

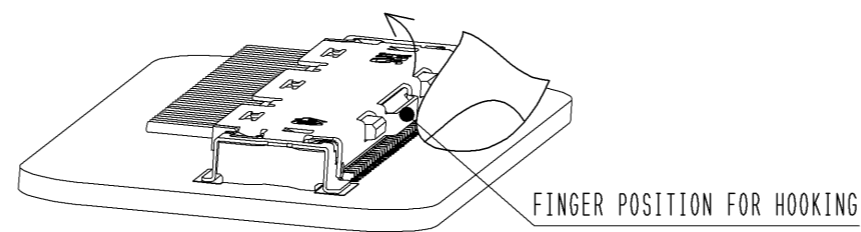
BY PULLING UP THE TAB TO THE DIRECTION INDICATED WITH THE ARROW , PLUG CONNECTOR IS RELEASED.

<WITHOUT PULL TAB>

BY HOOKING THE PLUG CONNECTOR AT THE POSITION SHOWN WITH FINGER AND PULLING UP, PLUG CONNECTOR IS RELEASED.



WITHOUT PULL TAB



HRS DRAWING FOR REFERENCE

HRS	DRAWING NO.	EDC3-338299-02
	PART NO.	DF80-50S-0.5V<52>
	CODE NO.	CL662-8007-9-52
		△ 3/3

X-ON Electronics

Largest Supplier of Electrical and Electronic Components

Click to view similar products for [High Speed/Modular Connectors](#) category:

Click to view products by [Hirose](#) manufacturer:

Other Similar products are found below :

[650827-1](#) [74040-1346](#) [1410191-1](#) [1410337-1](#) [1410368-3](#) [1410964-2](#) [1410326-3](#) [1410367-3](#) [1410971-4](#) [1467833-1](#) [2000877-1](#) [2000878-1](#)
[2041314-1](#) [2065387-1](#) [2187307-1](#) [163P](#) [1934290-1](#) [2000875-1](#) [2065917-1](#) [2102736-2](#) [FSR-40](#) [2169868-2](#) [22354-8](#) [437-5040-000](#) [5-](#)
[1393565-0](#) [039-0246-000](#) [0740618502](#) [0761601016](#) [10123159-12ELF](#) [030-2415-003/100 PK](#) [030-7380-004](#) [030-2494-001](#) [532939-1](#)
[5532901-3](#) [3-1469268-7](#) [74748-102LF](#) [73670-0247](#) [10041743-101LF](#) [10066670-100002LF](#) [1-533915-1](#) [249-4515-000](#) [7-1469373-3](#) [DL2-](#)
[2J/S](#) [2000713-8](#) [2000713-7](#) [3011-21](#) [757105208](#) [EBTF-4-10-2.0-S-RA-1](#) [430305-001](#) [4395800100](#)