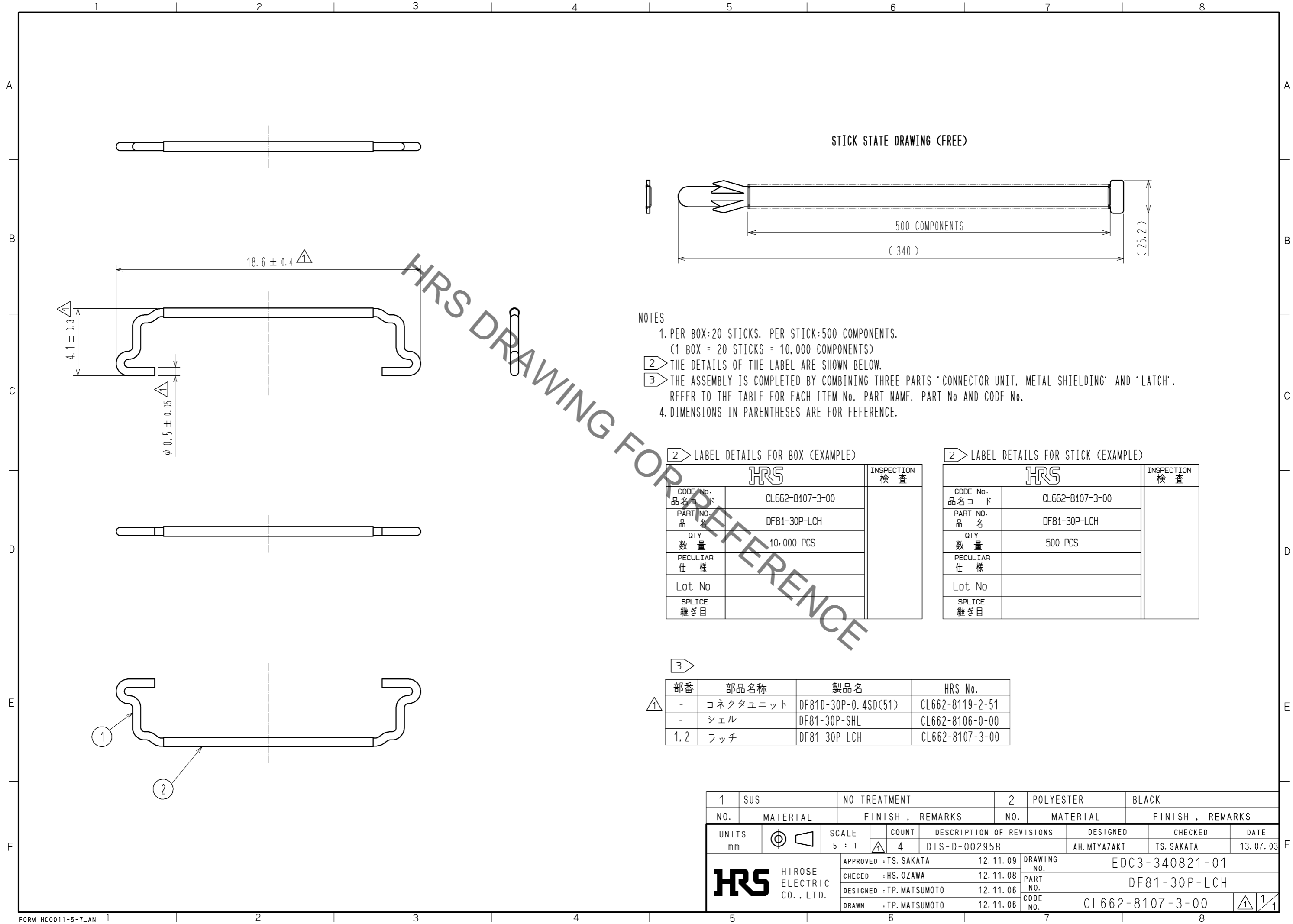


Sep.1.2021 Copyright 2021 HIROSE ELECTRIC CO., LTD. All Rights Reserved.  
In case of consideration for using Automotive equipment / device which demand high reliability, kindly contact our sales window correspondents.



STICK STATE DRAWING (FREE)

NOTES

- 1. PER BOX:20 STICKS. PER STICK:500 COMPONENTS.  
(1 BOX = 20 STICKS = 10,000 COMPONENTS)
- 2 THE DETAILS OF THE LABEL ARE SHOWN BELOW.
- 3 THE ASSEMBLY IS COMPLETED BY COMBINING THREE PARTS 'CONNECTOR UNIT, METAL SHIELDING' AND 'LATCH'. REFER TO THE TABLE FOR EACH ITEM No. PART NAME, PART No AND CODE No.
- 4. DIMENSIONS IN PARENTHESES ARE FOR FEFERENCE.

2 LABEL DETAILS FOR BOX (EXAMPLE)

HRS		INSPECTION 検査
CODE No. 品名コード	CL662-8107-3-00	
PART NO. 品名	DF81-30P-LCH	
QTY 数量	10,000 PCS	
PECULIAR 仕様		
Lot No		
SPLICE 継ぎ目		

2 LABEL DETAILS FOR STICK (EXAMPLE)

HRS		INSPECTION 検査
CODE No. 品名コード	CL662-8107-3-00	
PART NO. 品名	DF81-30P-LCH	
QTY 数量	500 PCS	
PECULIAR 仕様		
Lot No		
SPLICE 継ぎ目		

3

部番	部品名称	製品名	HRS No.
-	コネクタユニット	DF81D-30P-0.4SD(51)	CL662-8119-2-51
-	シェル	DF81-30P-SHL	CL662-8106-0-00
1.2	ラッチ	DF81-30P-LCH	CL662-8107-3-00

1	SUS	NO TREATMENT	2	POLYESTER	BLACK		
NO.	MATERIAL	FINISH . REMARKS	NO.	MATERIAL	FINISH . REMARKS		
UNITS mm	⊕	SCALE 5 : 1	COUNT 4	DESCRIPTION OF REVISIONS DIS-D-002958	DESIGNED AH.MIYAZAKI	CHECKED TS.SAKATA	DATE 13.07.03
APPROVED : TS.SAKATA		12.11.09		DRAWING NO. EDC3-340821-01			
CHECED : HS.OZAWA		12.11.08		PART NO. DF81-30P-LCH			
DESIGNED : TP.MATSUMOTO		12.11.06		CODE NO. CL662-8107-3-00			
DRAWN : TP.MATSUMOTO		12.11.06					

## X-ON Electronics

Largest Supplier of Electrical and Electronic Components

*Click to view similar products for [Headers & Wire Housings](#) category:*

*Click to view products by [Hirose](#) manufacturer:*

Other Similar products are found below :

[892-18-020-10-001101](#) [58102-G61-06LF](#) [582553-1](#) [0009485154](#) [009176003701906](#) [0050291907](#) [LY20-4P-DT1-P1E-BR](#) [02.125.8002.8](#)  
[609-3404](#) [61062-3](#) [622-0430](#) [622-3653LF](#) [63453-116](#) [636-1030](#) [636-1427](#) [636-3427](#) [636-4007](#) [641938-9](#) [641991-4](#) [644827-2](#) [65817-010LF](#)  
[65817-015LF](#) [65863-015LF](#) [66207-023LF](#) [67095-007LF](#) [67601157](#) [68648-049](#) [70.362.1628.0](#) [70-4210](#) [70-4226B](#) [70-4853B](#) [707-5020](#) [707-5028](#) [71.350.2428.0](#) [71918-208LF](#) [71961-016LF](#) [733-134](#) [733-162](#) [754199-000](#) [760-3052](#) [787-8014-00](#) [79531-3000](#) [FCN-360C032-B](#) [FCN-367T-T012/H](#) [FCN-723D010/2](#) [80.063.4001.1](#) [800-90-001-10-001000](#) [800-90-010-10-002000](#) [801-43-002-10-013000](#) [801-43-006-10-002000](#)