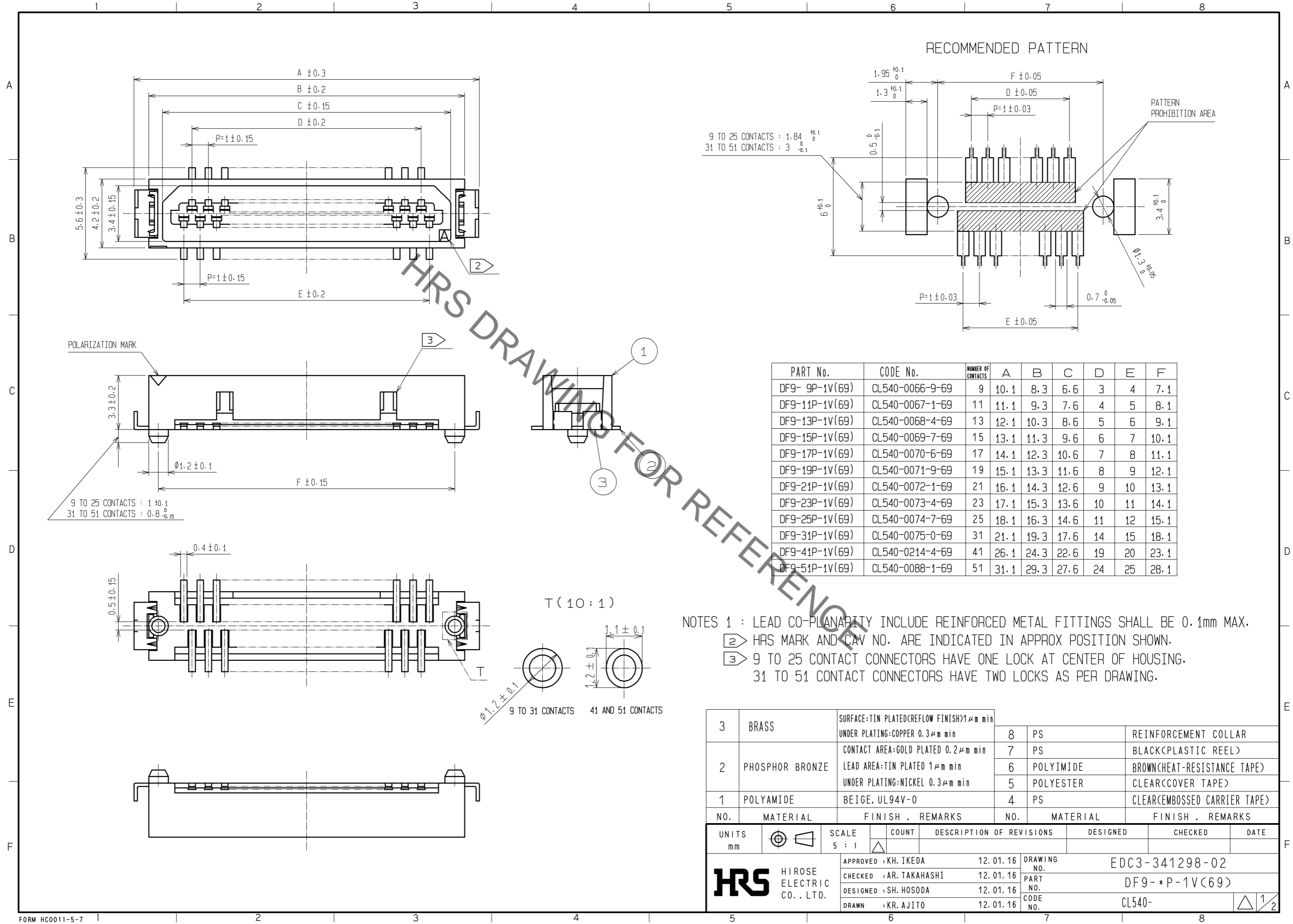


Aug.1.2021 Copyright 2021 HIROSE ELECTRIC CO., LTD. All Rights Reserved.
In case of consideration for using Automotive equipment / device which demand high reliability, kindly contact our sales window correspondents.



9 TO 25 CONTACTS : 1.84^{+0.1}₀
31 TO 51 CONTACTS : 3^{+0.1}_{-0.1}

POLARIZATION MARK
3.3 ± 0.2
Ø1.2 ± 0.1
F ± 0.15
9 TO 25 CONTACTS : 1^{+0.1}₀
31 TO 51 CONTACTS : 0.8⁰_{-0.15}

T (10 : 1)
Ø1.2 ± 0.1 9 TO 31 CONTACTS
1.1 ± 0.1
1.2 ± 0.1 41 AND 51 CONTACTS

| PART No. | CODE No. | NUMBER OF CONTACTS | A | B | C | D | E | F |
|----------------|-----------------|--------------------|------|------|------|----|----|------|
| DF9-9P-1V(69) | CL540-0066-9-69 | 9 | 10.1 | 8.3 | 6.6 | 3 | 4 | 7.1 |
| DF9-11P-1V(69) | CL540-0067-1-69 | 11 | 11.1 | 9.3 | 7.6 | 4 | 5 | 8.1 |
| DF9-13P-1V(69) | CL540-0068-4-69 | 13 | 12.1 | 10.3 | 8.6 | 5 | 6 | 9.1 |
| DF9-15P-1V(69) | CL540-0069-7-69 | 15 | 13.1 | 11.3 | 9.6 | 6 | 7 | 10.1 |
| DF9-17P-1V(69) | CL540-0070-6-69 | 17 | 14.1 | 12.3 | 10.6 | 7 | 8 | 11.1 |
| DF9-19P-1V(69) | CL540-0071-9-69 | 19 | 15.1 | 13.3 | 11.6 | 8 | 9 | 12.1 |
| DF9-21P-1V(69) | CL540-0072-1-69 | 21 | 16.1 | 14.3 | 12.6 | 9 | 10 | 13.1 |
| DF9-23P-1V(69) | CL540-0073-4-69 | 23 | 17.1 | 15.3 | 13.6 | 10 | 11 | 14.1 |
| DF9-25P-1V(69) | CL540-0074-7-69 | 25 | 18.1 | 16.3 | 14.6 | 11 | 12 | 15.1 |
| DF9-31P-1V(69) | CL540-0075-0-69 | 31 | 21.1 | 19.3 | 17.6 | 14 | 15 | 18.1 |
| DF9-41P-1V(69) | CL540-0214-4-69 | 41 | 26.1 | 24.3 | 22.6 | 19 | 20 | 23.1 |
| DF9-51P-1V(69) | CL540-0088-1-69 | 51 | 31.1 | 29.3 | 27.6 | 24 | 25 | 28.1 |

NOTES 1 : LEAD CO-PLANARITY INCLUDE REINFORCED METAL FITTINGS SHALL BE 0.1mm MAX.
 2 HRS MARK AND CAV NO. ARE INDICATED IN APPROX POSITION SHOWN.
 3 9 TO 25 CONTACT CONNECTORS HAVE ONE LOCK AT CENTER OF HOUSING.
 31 TO 51 CONTACT CONNECTORS HAVE TWO LOCKS AS PER DRAWING.

| NO. | MATERIAL | FINISH . REMARKS | NO. | MATERIAL | FINISH . REMARKS |
|-----|-----------------|--|-----|-----------|------------------------------|
| 3 | BRASS | SURFACE:TIN PLATED(REFLOW FINISH)1µm min UNDER PLATING:COPPER 0.3µm min | 8 | PS | REINFORCEMENT COLLAR |
| 2 | PHOSPHOR BRONZE | CONTACT AREA:GOLD PLATED 0.2µm min LEAD AREA:TIN PLATED 1µm min UNDER PLATING:NICKEL 0.3µm min | 7 | PS | BLACK(PLASTIC REEL) |
| | | | 6 | POLYIMIDE | BROWN(HEAT-RESISTANCE TAPE) |
| | | | 5 | POLYESTER | CLEAR(COVER TAPE) |
| 1 | POLYAMIDE | BEIGE. UL94V-0 | 4 | PS | CLEAR(EMBOSSED CARRIER TAPE) |

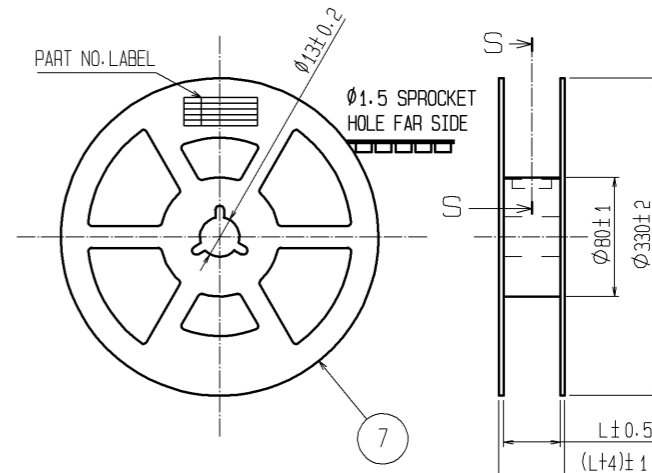
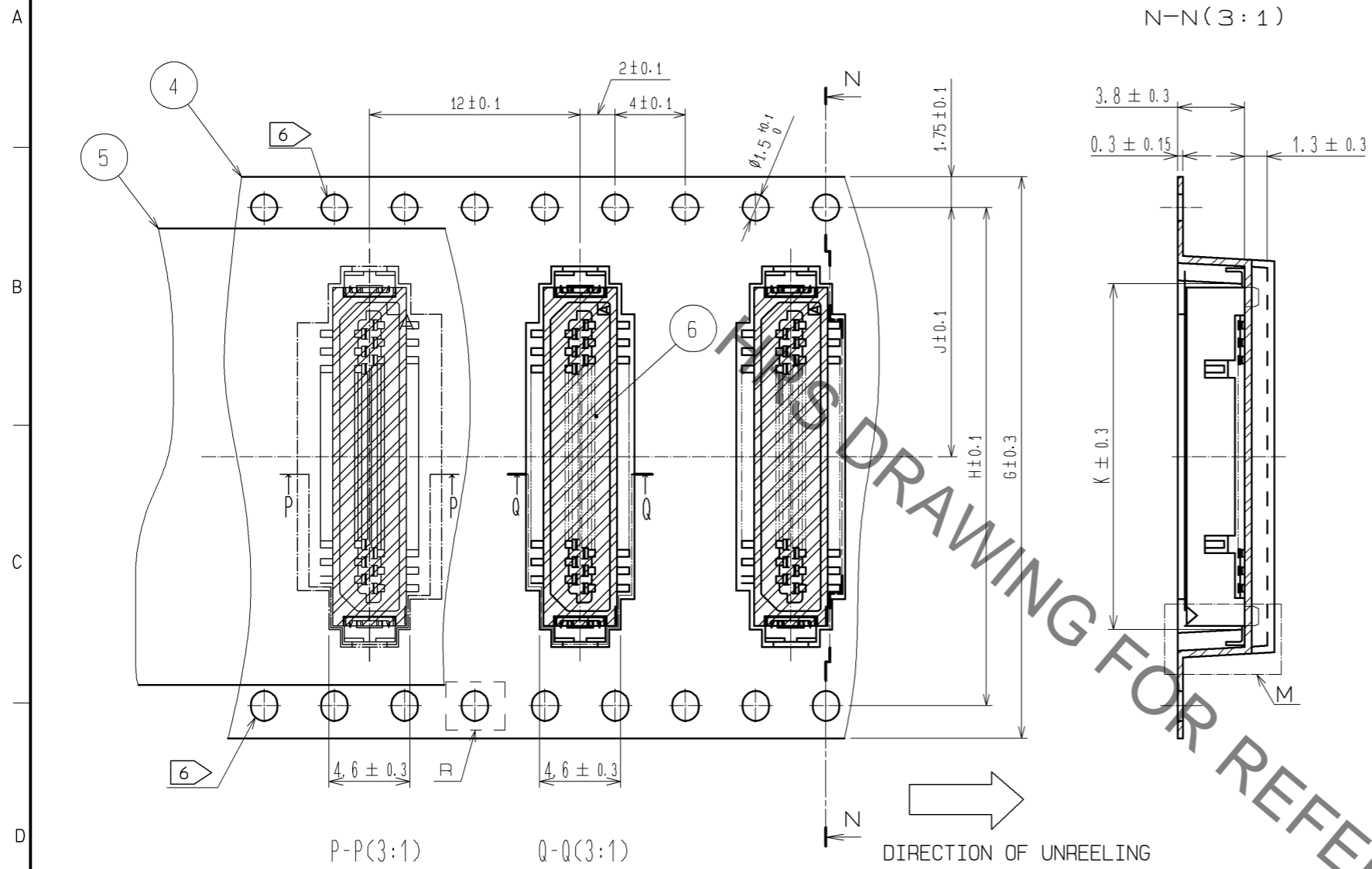
| UNITS | SCALE | COUNT | DESCRIPTION OF REVISIONS | DESIGNED | CHECKED | DATE |
|-------|-------|-------|--------------------------|----------|---------|------|
| mm | 5 : 1 | △ | | | | |

| | | | |
|-------------------------|----------|-------------|----------------|
| APPROVED : KH. IKEDA | 12.01.16 | DRAWING NO. | EDC3-341298-02 |
| CHECKED : AR. TAKAHASHI | 12.01.16 | PART NO. | DF9-*P-1V(69) |
| DESIGNED : SH. HOSODA | 12.01.16 | CODE NO. | CL540- |
| DRAWN : KR. AJITO | 12.01.16 | | |

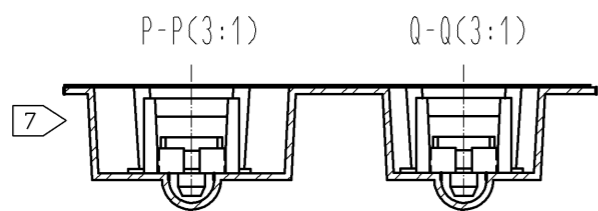
Aug.1.2021 Copyright 2021 HIROSE ELECTRIC CO., LTD. All Rights Reserved.
In case of consideration for using Automotive equipment / device which demand high reliability, kindly contact our sales window correspondents.

エンボスカリヤテープ(3:1)

STYLE AND DIMENSION OF REEL (FREE)

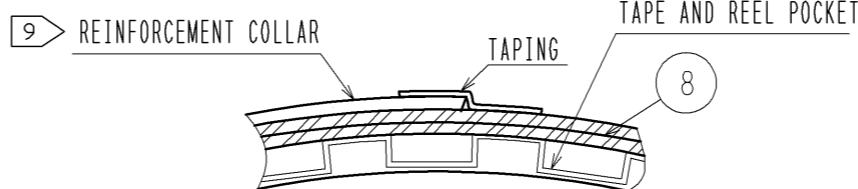
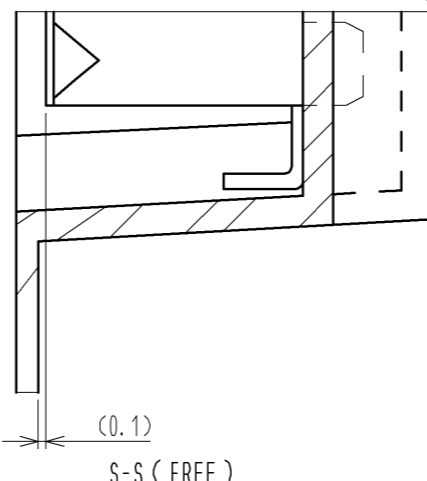


| PART No. | CODE No. | NUMBER OF CONTACTS | G | H | J | K | L |
|----------------|-----------------|--------------------|----|------|------|------|------|
| DF9-9P-1V(69) | CL540-0066-9-69 | 9 | 24 | - | 11.5 | 8.7 | 25.5 |
| DF9-11P-1V(69) | CL540-0067-1-69 | 11 | 24 | - | 11.5 | 9.7 | 25.5 |
| DF9-13P-1V(69) | CL540-0068-4-69 | 13 | 24 | - | 11.5 | 10.7 | 25.5 |
| DF9-15P-1V(69) | CL540-0069-7-69 | 15 | 24 | - | 11.5 | 11.7 | 25.5 |
| DF9-17P-1V(69) | CL540-0070-6-69 | 17 | 24 | - | 11.5 | 12.7 | 25.5 |
| DF9-19P-1V(69) | CL540-0071-9-69 | 19 | 24 | - | 11.5 | 13.7 | 25.5 |
| DF9-21P-1V(69) | CL540-0072-1-69 | 21 | 24 | - | 11.5 | 14.7 | 25.5 |
| DF9-23P-1V(69) | CL540-0073-4-69 | 23 | 32 | 28.4 | 14.2 | 15.7 | 33.5 |
| DF9-25P-1V(69) | CL540-0074-7-69 | 25 | 32 | 28.4 | 14.2 | 16.7 | 33.5 |
| DF9-31P-1V(69) | CL540-0075-0-69 | 31 | 32 | 28.4 | 14.2 | 19.7 | 33.5 |
| DF9-41P-1V(69) | CL540-0214-4-69 | 41 | 44 | 40.4 | 20.2 | 24.7 | 45.5 |
| DF9-51P-1V(69) | CL540-0088-1-69 | 51 | 44 | 40.4 | 20.2 | 29.7 | 45.5 |



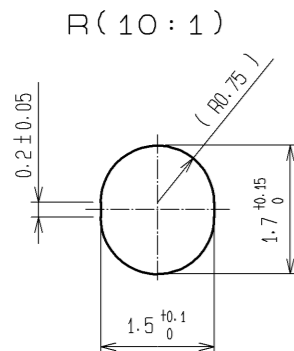
DIRECTION OF UNREELING

M (10:1)



- NOTES
- 4 : 1 REEL 1000 CONNECTORS.
 - 5 : AT THE BEIGINNING OF THE REEL, 30 COMPONENTS SHALL BE EMPTY. AT THE END OF THE REEL, 20 COMPONENTS SHALL BE EMPTY.
 - 6 LET THE SENDING HOLE OF 9 TO 21 CONTACTS BE ONLY THE UPPER ONE SIDE TOWARD A DRAWING. THE SENDING HOLE OF 23 OR MORE CONTACTS IS ESTABLISHED IN BOTH SIDES, AS SHOWN IN A FIGURE.
 - 7 A POCKET SHAPE IS DIFFERET AT INTERVALS OF EACH CAVITY NUMBER TO AVOID OVERLAP.
 - 8 : PEEL FORCE REFERS TO JIS C 0806.
 - 9 AFTER PACKING, ROLL 2 METERS OF THE REINFORCEMENT COLLAR TO OUTER CIRCUMFERENCE OF TAPE AND REEL POCKET, AND TAPE DOWN AT THE END THE COLLAR.

DETAIL OF PART NO. LABEL



| | |
|----------------------|------------------|
| SUPPLIER | |
| QUANTITY | |
| PART NO. | |
| CODE NO. | |
| DATE OF MANUFACTURED | |
| 生産月日 | 年 月 日 |
| 図番 | CL540-****-**-69 |
| 品名 | DF9-*P-1V(69) |
| 納入数量 | 1000K0 |
| 納入者 | ヒロセ電機(株) |

| | | |
|------------|-------------|----------------|
| HRS | DRAWING NO. | EDC3-341298-02 |
| | PART NO. | DF9-*P-1V(69) |
| | CODE NO. | CL540- |

△ 2/2

X-ON Electronics

Largest Supplier of Electrical and Electronic Components

Click to view similar products for [Board to Board & Mezzanine Connectors](#) category:

Click to view products by [Hirose](#) manufacturer:

Other Similar products are found below :

[589158040000018](#) [MDF7C-18P-2.54DSA\(55\)](#) [FCN-230C068-11](#) [FCN-268F012-G/BD](#) [FCN-268F036-G/BD](#) [FCN-268M012-G/0D](#) [FCN-268M024-G/1D](#) [FCN-723J004/1](#) [MIS-048-01-F-D-DP-K](#) [832-10-034-10-001000](#) [FX4C-80S-1.27DSA](#) [FCN-214Q030-G/0](#) [FCN-234P048-G/0](#) [FCN-235D050-G/C](#) [210-93-314-41-105000](#) [2-22603-0](#) [MDF7-40DP-2.54DSA\(55\)](#) [AXG720047](#) [MIT-114-03-F-D-K](#) [55323-1519](#) [DF33-2P-3.3DSA\(24\)](#) [YFT-20-05-H-03-SB-K](#) [503308-3040](#) [026-6203-PDB](#) [027-6203-PDB](#) [069159702701000](#) [10123981-102LF](#) [101A10019X](#) [55650-0588-C](#) [68682-310LF](#) [68684-306](#) [75140-7012](#) [87471-650](#) [YTW-30-07-H-Q-410-140](#) [FCN-268F024-G0D](#) [10124054-515LF](#) [68685-603](#) [8-1616154-3](#) [MIS-019-01-F-D](#) [FCN-268M024-G/3D](#) [FCN-268M036-G/BD](#) [20021832-06016C1LF](#) [KX15-20KLDL-E1000E](#) [AXE810124](#) [FCN-214J100-G/0](#) [FCN-230C068-E/S](#) [AXE812124](#) [AXE816124](#) [AXE720127](#) [354184](#)