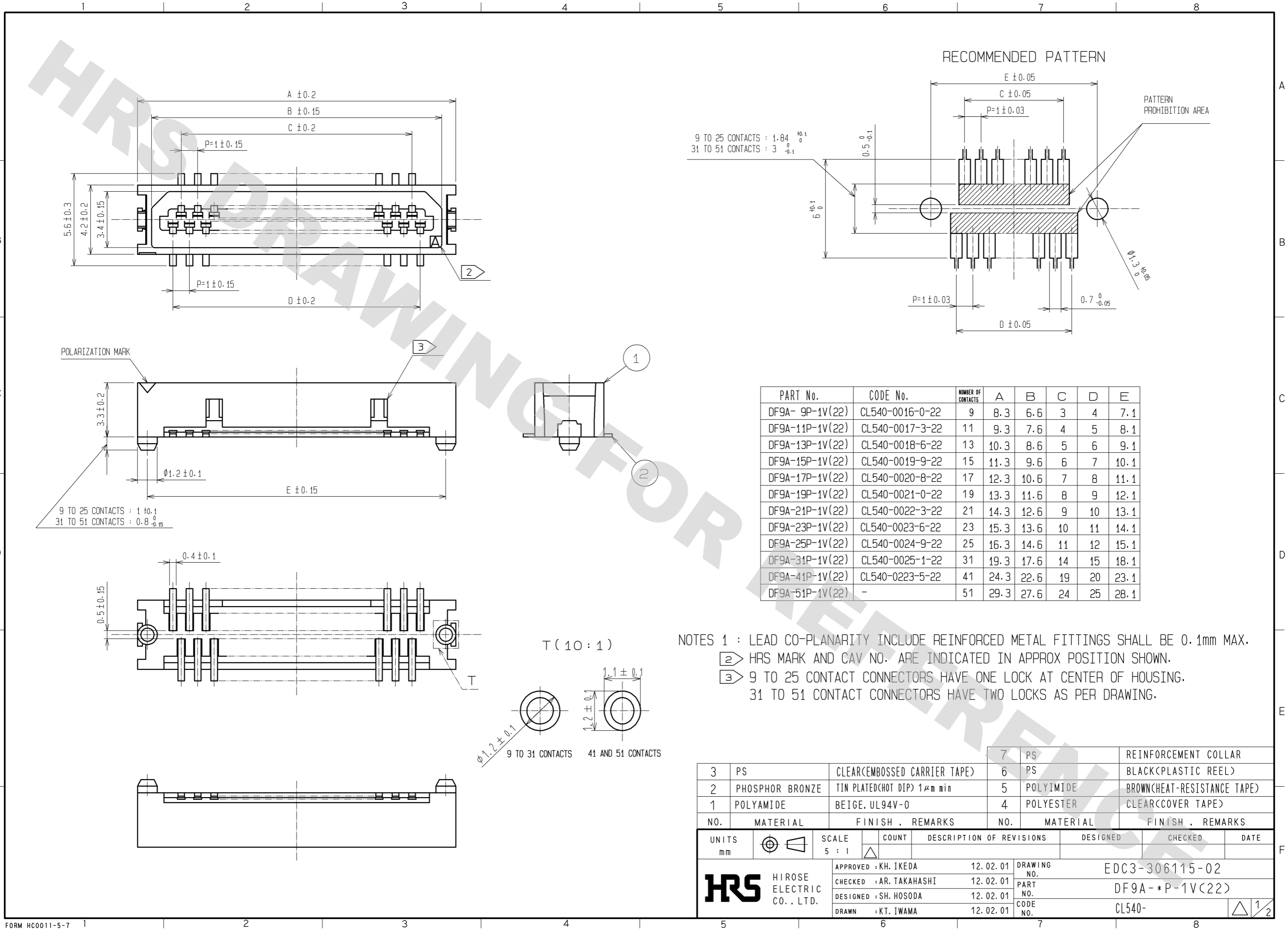


DRAWING FOR REFERENCE: This is subject to change without notice
08/11/2012



PART No.	CODE No.	NUMBER OF CONTACTS	A	B	C	D	E
DF9A-9P-1V(22)	CL540-0016-0-22	9	8.3	6.6	3	4	7.1
DF9A-11P-1V(22)	CL540-0017-3-22	11	9.3	7.6	4	5	8.1
DF9A-13P-1V(22)	CL540-0018-6-22	13	10.3	8.6	5	6	9.1
DF9A-15P-1V(22)	CL540-0019-9-22	15	11.3	9.6	6	7	10.1
DF9A-17P-1V(22)	CL540-0020-8-22	17	12.3	10.6	7	8	11.1
DF9A-19P-1V(22)	CL540-0021-0-22	19	13.3	11.6	8	9	12.1
DF9A-21P-1V(22)	CL540-0022-3-22	21	14.3	12.6	9	10	13.1
DF9A-23P-1V(22)	CL540-0023-6-22	23	15.3	13.6	10	11	14.1
DF9A-25P-1V(22)	CL540-0024-9-22	25	16.3	14.6	11	12	15.1
DF9A-31P-1V(22)	CL540-0025-1-22	31	19.3	17.6	14	15	18.1
DF9A-41P-1V(22)	CL540-0223-5-22	41	24.3	22.6	19	20	23.1
DF9A-51P-1V(22)	-	51	29.3	27.6	24	25	28.1

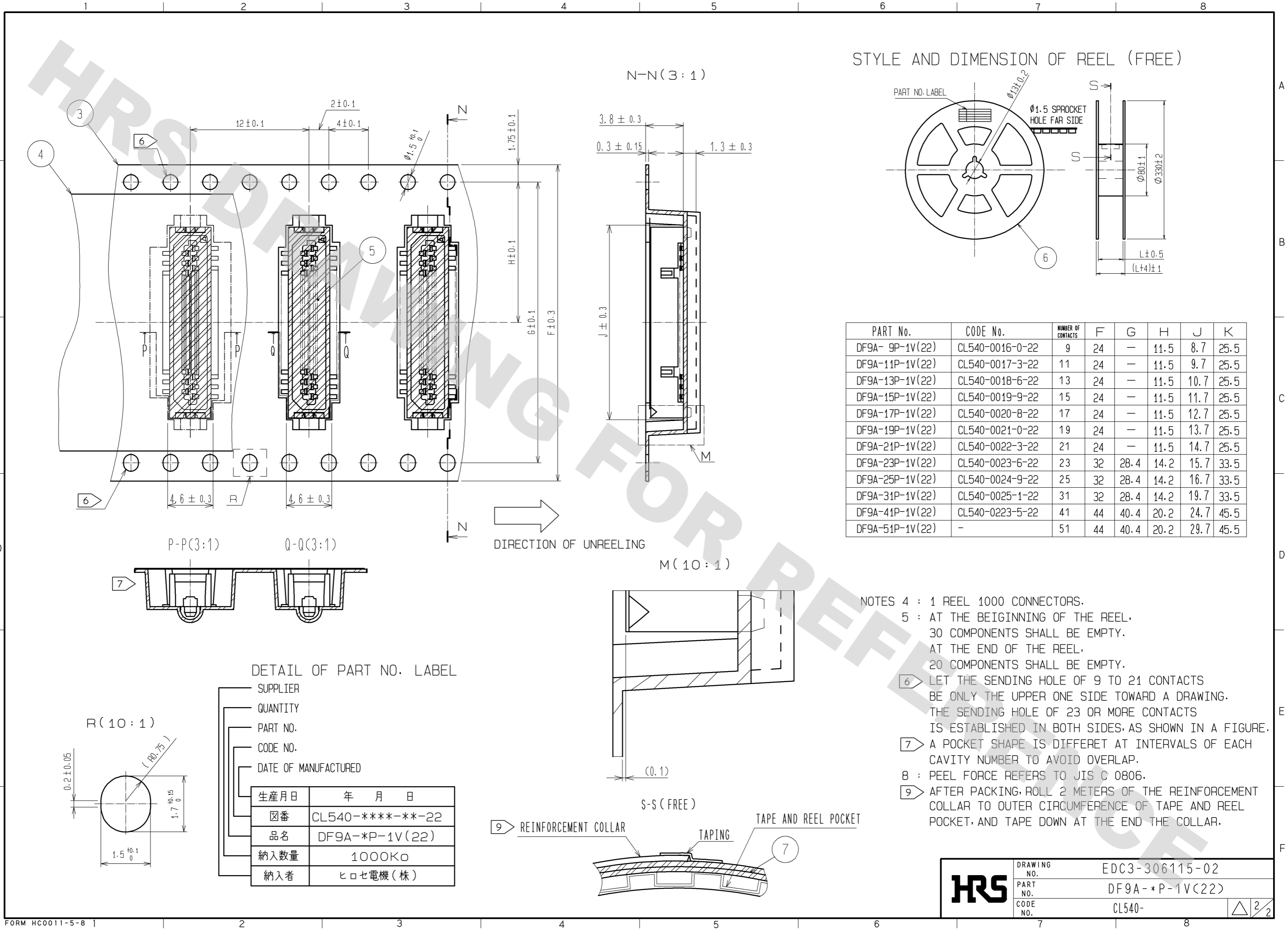
NOTES 1 : LEAD CO-PLANARITY INCLUDE REINFORCED METAL FITTINGS SHALL BE 0.1mm MAX.
 ② HRS MARK AND CAV NO. ARE INDICATED IN APPROX POSITION SHOWN.
 ③ 9 TO 25 CONTACT CONNECTORS HAVE ONE LOCK AT CENTER OF HOUSING.
 31 TO 51 CONTACT CONNECTORS HAVE TWO LOCKS AS PER DRAWING.

NO.	MATERIAL	FINISH . REMARKS	NO.	MATERIAL	FINISH . REMARKS
3	PS	CLEAR(EMBOSSED CARRIER TAPE)	7	PS	REINFORCEMENT COLLAR
2	PHOSPHOR BRONZE	TIN PLATED(HOT DIP) 1μm min	6	PS	BLACK(PLASTIC REEL)
1	POLYAMIDE	BEIGE. UL94V-0	5	POLYIMIDE	BROWN(HEAT-RESISTANCE TAPE)
			4	POLYESTER	CLEAR(COVER TAPE)

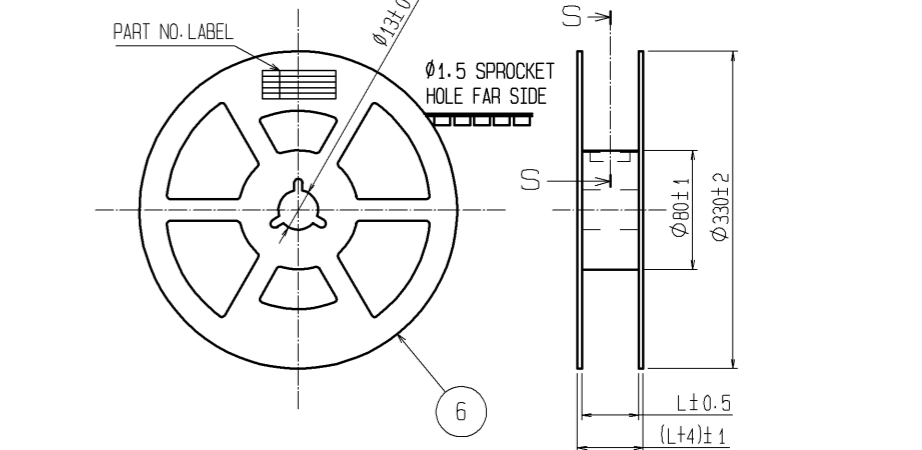
UNITS	SCALE	COUNT	DESCRIPTION OF REVISIONS	DESIGNED	CHECKED	DATE
mm	5 : 1	△	APPROVED : KH. IKEDA 12.02.01			
			CHECKED : AR. TAKAHASHI 12.02.01			
			DESIGNED : SH. HOSODA 12.02.01			
			DRAWN : KT. IWAMA 12.02.01			

DRAWING NO.	EDC3-306115-02
PART NO.	DF9A-*P-1V(22)
CODE NO.	CL540-

DRAWING FOR REFERENCE: This is subject to change without notice
08/11/2012



STYLE AND DIMENSION OF REEL (FREE)



PART No.	CODE No.	NUMBER OF CONTACTS	F	G	H	J	K
DF9A-9P-1V(22)	CL540-0016-0-22	9	24	-	11.5	8.7	25.5
DF9A-11P-1V(22)	CL540-0017-3-22	11	24	-	11.5	9.7	25.5
DF9A-13P-1V(22)	CL540-0018-6-22	13	24	-	11.5	10.7	25.5
DF9A-15P-1V(22)	CL540-0019-9-22	15	24	-	11.5	11.7	25.5
DF9A-17P-1V(22)	CL540-0020-8-22	17	24	-	11.5	12.7	25.5
DF9A-19P-1V(22)	CL540-0021-0-22	19	24	-	11.5	13.7	25.5
DF9A-21P-1V(22)	CL540-0022-3-22	21	24	-	11.5	14.7	25.5
DF9A-23P-1V(22)	CL540-0023-6-22	23	32	28.4	14.2	15.7	33.5
DF9A-25P-1V(22)	CL540-0024-9-22	25	32	28.4	14.2	16.7	33.5
DF9A-31P-1V(22)	CL540-0025-1-22	31	32	28.4	14.2	19.7	33.5
DF9A-41P-1V(22)	CL540-0223-5-22	41	44	40.4	20.2	24.7	45.5
DF9A-51P-1V(22)	-	51	44	40.4	20.2	29.7	45.5

DETAIL OF PART NO. LABEL

SUPPLIER	
QUANTITY	
PART NO.	
CODE NO.	
DATE OF MANUFACTURED	
生産月日	年 月 日
図番	CL540-****-**-22
品名	DF9A-*P-1V(22)
納入数量	1000K ϕ
納入者	ヒロセ電機(株)

- NOTES
- 4 : 1 REEL 1000 CONNECTORS.
 - 5 : AT THE BEIGINNING OF THE REEL, 30 COMPONENTS SHALL BE EMPTY. AT THE END OF THE REEL, 20 COMPONENTS SHALL BE EMPTY.
 - 6 : LET THE SENDING HOLE OF 9 TO 21 CONTACTS BE ONLY THE UPPER ONE SIDE TOWARD A DRAWING. THE SENDING HOLE OF 23 OR MORE CONTACTS IS ESTABLISHED IN BOTH SIDES, AS SHOWN IN A FIGURE.
 - 7 : A POCKET SHAPE IS DIFFERET AT INTERVALS OF EACH CAVITY NUMBER TO AVOID OVERLAP.
 - 8 : PEEL FORCE REFERS TO JIS C 0806.
 - 9 : AFTER PACKING, ROLL 2 METERS OF THE REINFORCEMENT COLLAR TO OUTER CIRCUMFERENCE OF TAPE AND REEL POCKET, AND TAPE DOWN AT THE END THE COLLAR.

HRS	DRAWING NO.	EDC3-306115-02
	PART NO.	DF9A-*P-1V(22)
	CODE NO.	CL540-

X-ON Electronics

Largest Supplier of Electrical and Electronic Components

Click to view similar products for [Board to Board & Mezzanine Connectors](#) category:

Click to view products by [Hirose](#) manufacturer:

Other Similar products are found below :

[589158040000018](#) [MDF7C-18P-2.54DSA\(55\)](#) [FCN-230C068-11](#) [FCN-268F012-G/BD](#) [FCN-268F036-G/BD](#) [FCN-268M012-G/0D](#) [FCN-268M024-G/1D](#) [FCN-723J004/1](#) [MIS-048-01-F-D-DP-K](#) [832-10-034-10-001000](#) [FX4C-80S-1.27DSA](#) [FCN-214Q030-G/0](#) [FCN-234P048-G/0](#) [FCN-235D050-G/C](#) [210-93-314-41-105000](#) [2-22603-0](#) [MDF7-40DP-2.54DSA\(55\)](#) [AXG720047](#) [MIT-114-03-F-D-K](#) [55323-1519](#) [DF33-2P-3.3DSA\(24\)](#) [YFT-20-05-H-03-SB-K](#) [503308-3040](#) [026-6203-PDB](#) [027-6203-PDB](#) [069159702701000](#) [10123981-102LF](#) [101A10019X](#) [55650-0588-C](#) [68682-310LF](#) [68684-306](#) [75140-7012](#) [87471-650](#) [FCN-268F024-G0D](#) [10124054-515LF](#) [68685-603](#) [8-1616154-3](#) [MIS-019-01-F-D](#) [FCN-268M024-G/3D](#) [FCN-268M036-G/BD](#) [20021832-06016C1LF](#) [KX15-20KLDL-E1000E](#) [AXE810124](#) [FCN-214J100-G/0](#) [FCN-230C068-E/S](#) [AXE812124](#) [AXE816124](#) [AXE720127](#) [354184](#) [MIT-019-04-F-D-K](#)