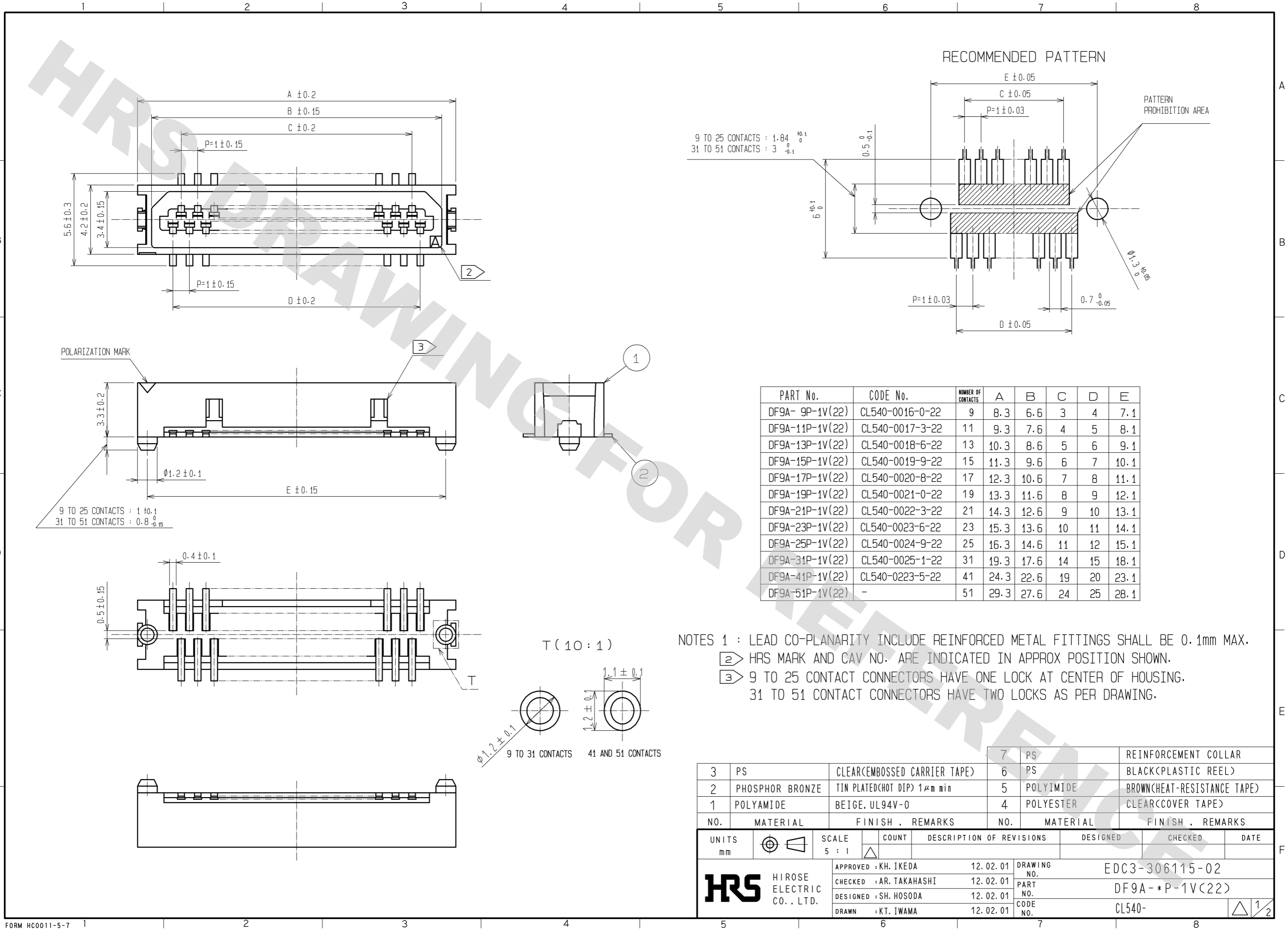


DRAWING FOR REFERENCE: This is subject to change without notice  
08/11/2012



| PART No.        | CODE No.        | NUMBER OF CONTACTS | A    | B    | C  | D  | E    |
|-----------------|-----------------|--------------------|------|------|----|----|------|
| DF9A-9P-1V(22)  | CL540-0016-0-22 | 9                  | 8.3  | 6.6  | 3  | 4  | 7.1  |
| DF9A-11P-1V(22) | CL540-0017-3-22 | 11                 | 9.3  | 7.6  | 4  | 5  | 8.1  |
| DF9A-13P-1V(22) | CL540-0018-6-22 | 13                 | 10.3 | 8.6  | 5  | 6  | 9.1  |
| DF9A-15P-1V(22) | CL540-0019-9-22 | 15                 | 11.3 | 9.6  | 6  | 7  | 10.1 |
| DF9A-17P-1V(22) | CL540-0020-8-22 | 17                 | 12.3 | 10.6 | 7  | 8  | 11.1 |
| DF9A-19P-1V(22) | CL540-0021-0-22 | 19                 | 13.3 | 11.6 | 8  | 9  | 12.1 |
| DF9A-21P-1V(22) | CL540-0022-3-22 | 21                 | 14.3 | 12.6 | 9  | 10 | 13.1 |
| DF9A-23P-1V(22) | CL540-0023-6-22 | 23                 | 15.3 | 13.6 | 10 | 11 | 14.1 |
| DF9A-25P-1V(22) | CL540-0024-9-22 | 25                 | 16.3 | 14.6 | 11 | 12 | 15.1 |
| DF9A-31P-1V(22) | CL540-0025-1-22 | 31                 | 19.3 | 17.6 | 14 | 15 | 18.1 |
| DF9A-41P-1V(22) | CL540-0223-5-22 | 41                 | 24.3 | 22.6 | 19 | 20 | 23.1 |
| DF9A-51P-1V(22) | -               | 51                 | 29.3 | 27.6 | 24 | 25 | 28.1 |

NOTES 1 : LEAD CO-PLANARITY INCLUDE REINFORCED METAL FITTINGS SHALL BE 0.1mm MAX.  
 ② HRS MARK AND CAV NO. ARE INDICATED IN APPROX POSITION SHOWN.  
 ③ 9 TO 25 CONTACT CONNECTORS HAVE ONE LOCK AT CENTER OF HOUSING.  
 31 TO 51 CONTACT CONNECTORS HAVE TWO LOCKS AS PER DRAWING.

| NO. | MATERIAL        | FINISH . REMARKS             | NO. | MATERIAL  | FINISH . REMARKS            |
|-----|-----------------|------------------------------|-----|-----------|-----------------------------|
| 3   | PS              | CLEAR(EMBOSSED CARRIER TAPE) | 7   | PS        | REINFORCEMENT COLLAR        |
| 2   | PHOSPHOR BRONZE | TIN PLATED(HOT DIP) 1μm min  | 6   | PS        | BLACK(PLASTIC REEL)         |
| 1   | POLYAMIDE       | BEIGE. UL94V-0               | 5   | POLYIMIDE | BROWN(HEAT-RESISTANCE TAPE) |
|     |                 |                              | 4   | POLYESTER | CLEAR(COVER TAPE)           |

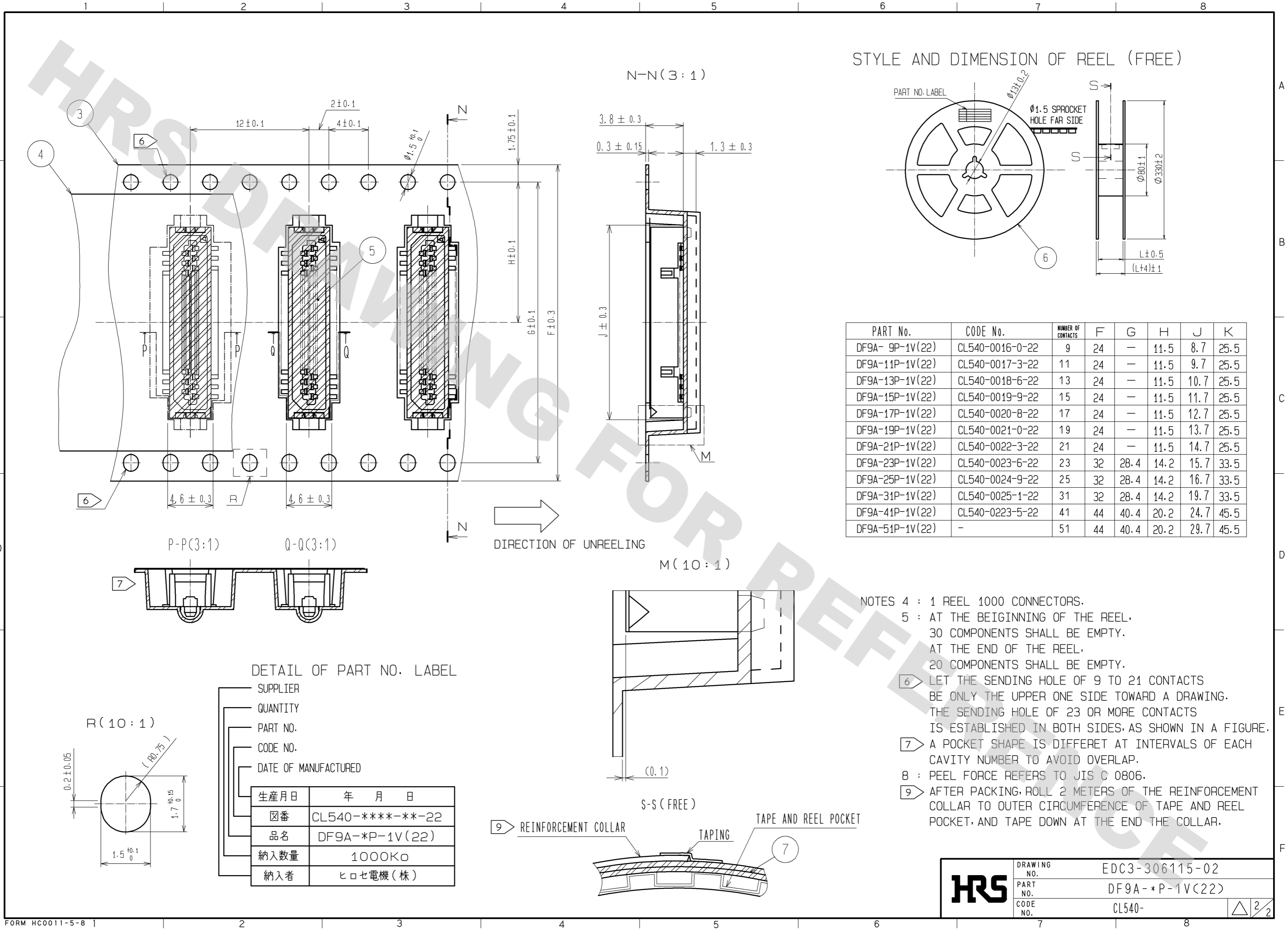
  

| UNITS | SCALE | COUNT | DESCRIPTION OF REVISIONS | DESIGNED | CHECKED | DATE |
|-------|-------|-------|--------------------------|----------|---------|------|
| mm    | 5 : 1 | △     |                          |          |         |      |

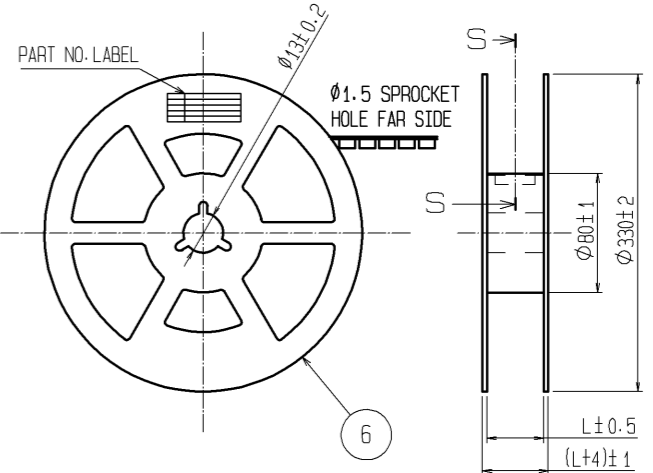
  

|                         |          |             |                |
|-------------------------|----------|-------------|----------------|
| APPROVED : KH. IKEDA    | 12.02.01 | DRAWING NO. | EDC3-306115-02 |
| CHECKED : AR. TAKAHASHI | 12.02.01 | PART NO.    | DF9A-*P-1V(22) |
| DESIGNED : SH. HOSODA   | 12.02.01 | CODE NO.    | CL540-         |
| DRAWN : KT. IWAMA       | 12.02.01 |             |                |

DRAWING FOR REFERENCE: This is subject to change without notice  
08/11/2012



STYLE AND DIMENSION OF REEL (FREE)



| PART No.        | CODE No.        | NUMBER OF CONTACTS | F  | G    | H    | J    | K    |
|-----------------|-----------------|--------------------|----|------|------|------|------|
| DF9A-9P-1V(22)  | CL540-0016-0-22 | 9                  | 24 | -    | 11.5 | 8.7  | 25.5 |
| DF9A-11P-1V(22) | CL540-0017-3-22 | 11                 | 24 | -    | 11.5 | 9.7  | 25.5 |
| DF9A-13P-1V(22) | CL540-0018-6-22 | 13                 | 24 | -    | 11.5 | 10.7 | 25.5 |
| DF9A-15P-1V(22) | CL540-0019-9-22 | 15                 | 24 | -    | 11.5 | 11.7 | 25.5 |
| DF9A-17P-1V(22) | CL540-0020-8-22 | 17                 | 24 | -    | 11.5 | 12.7 | 25.5 |
| DF9A-19P-1V(22) | CL540-0021-0-22 | 19                 | 24 | -    | 11.5 | 13.7 | 25.5 |
| DF9A-21P-1V(22) | CL540-0022-3-22 | 21                 | 24 | -    | 11.5 | 14.7 | 25.5 |
| DF9A-23P-1V(22) | CL540-0023-6-22 | 23                 | 32 | 28.4 | 14.2 | 15.7 | 33.5 |
| DF9A-25P-1V(22) | CL540-0024-9-22 | 25                 | 32 | 28.4 | 14.2 | 16.7 | 33.5 |
| DF9A-31P-1V(22) | CL540-0025-1-22 | 31                 | 32 | 28.4 | 14.2 | 19.7 | 33.5 |
| DF9A-41P-1V(22) | CL540-0223-5-22 | 41                 | 44 | 40.4 | 20.2 | 24.7 | 45.5 |
| DF9A-51P-1V(22) | -               | 51                 | 44 | 40.4 | 20.2 | 29.7 | 45.5 |

DETAIL OF PART NO. LABEL

|                      |                  |
|----------------------|------------------|
| SUPPLIER             |                  |
| QUANTITY             |                  |
| PART NO.             |                  |
| CODE NO.             |                  |
| DATE OF MANUFACTURED |                  |
| 生産月日                 | 年 月 日            |
| 図番                   | CL540-****-**-22 |
| 品名                   | DF9A-*P-1V(22)   |
| 納入数量                 | 1000K $\phi$     |
| 納入者                  | ヒロセ電機(株)         |

- NOTES 4 : 1 REEL 1000 CONNECTORS.  
 5 : AT THE BEIGINNING OF THE REEL, 30 COMPONENTS SHALL BE EMPTY. AT THE END OF THE REEL, 20 COMPONENTS SHALL BE EMPTY.  
 6 : LET THE SENDING HOLE OF 9 TO 21 CONTACTS BE ONLY THE UPPER ONE SIDE TOWARD A DRAWING. THE SENDING HOLE OF 23 OR MORE CONTACTS IS ESTABLISHED IN BOTH SIDES, AS SHOWN IN A FIGURE.  
 7 : A POCKET SHAPE IS DIFFERET AT INTERVALS OF EACH CAVITY NUMBER TO AVOID OVERLAP.  
 8 : PEEL FORCE REFERS TO JIS C 0806.  
 9 : AFTER PACKING, ROLL 2 METERS OF THE REINFORCEMENT COLLAR TO OUTER CIRCUMFERENCE OF TAPE AND REEL POCKET, AND TAPE DOWN AT THE END THE COLLAR.

|            |             |                |
|------------|-------------|----------------|
| <b>HRS</b> | DRAWING NO. | EDC3-306115-02 |
|            | PART NO.    | DF9A-*P-1V(22) |
|            | CODE NO.    | CL540-         |

## X-ON Electronics

Largest Supplier of Electrical and Electronic Components

*Click to view similar products for [Board to Board & Mezzanine Connectors](#) category:*

*Click to view products by [Hirose](#) manufacturer:*

Other Similar products are found below :

[589158040000018](#) [MDF7C-18P-2.54DSA\(55\)](#) [FCN-230C068-11](#) [FCN-268F012-G/BD](#) [FCN-268F036-G/BD](#) [FCN-268M012-G/0D](#) [FCN-268M024-G/1D](#) [FCN-723J004/1](#) [MIS-048-01-F-D-DP-K](#) [832-10-034-10-001000](#) [FX4C-80S-1.27DSA](#) [FCN-214Q030-G/0](#) [FCN-234P048-G/0](#) [FCN-235D050-G/C](#) [210-93-314-41-105000](#) [2-22603-0](#) [MDF7-40DP-2.54DSA\(55\)](#) [AXG720047](#) [MIT-114-03-F-D-K](#) [55323-1519](#) [DF33-2P-3.3DSA\(24\)](#) [YFT-20-05-H-03-SB-K](#) [503308-3040](#) [026-6203-PDB](#) [027-6203-PDB](#) [069159702701000](#) [10123981-102LF](#) [101A10019X](#) [55650-0588-C](#) [68682-310LF](#) [68684-306](#) [75140-7012](#) [87471-650](#) [YTW-30-07-H-Q-410-140](#) [FCN-268F024-G0D](#) [10124054-515LF](#) [68685-603](#) [8-1616154-3](#) [MIS-019-01-F-D](#) [FCN-268M024-G/3D](#) [FCN-268M036-G/BD](#) [20021832-06016C1LF](#) [KX15-20KLDL-E1000E](#) [AXE810124](#) [FCN-214J100-G/0](#) [FCN-230C068-E/S](#) [AXE812124](#) [AXE816124](#) [AXE720127](#) [354184](#)