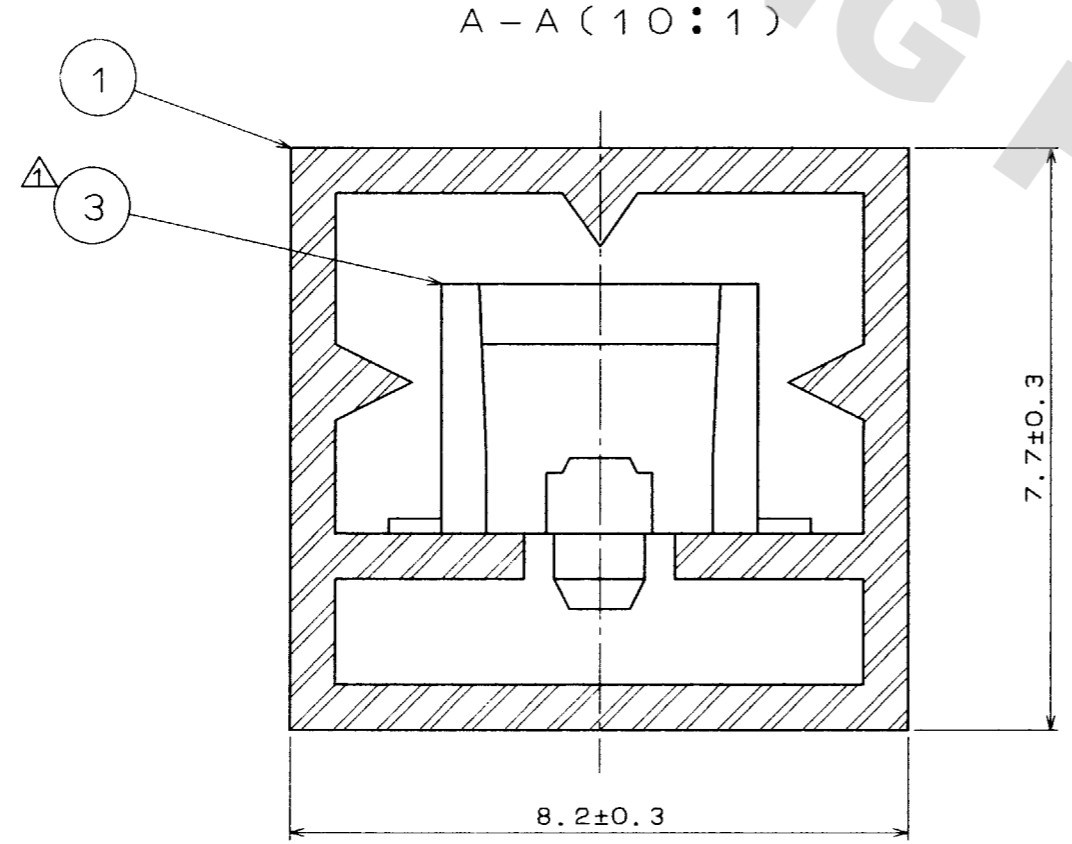
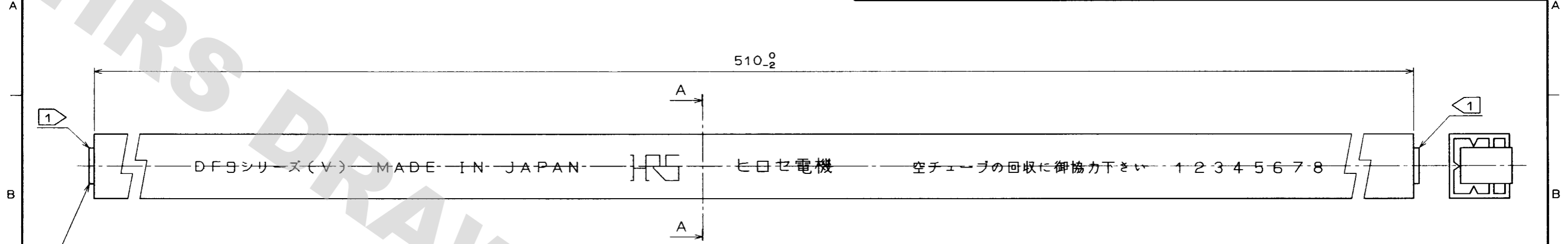


COUNT	DESCRIPTION OF REVISIONS	BY	CHKD	DATE	COUNT	DESCRIPTION OF REVISIONS	BY	CHKD	DATE
8	RE-H-02405	H.T	J.O	97.11.5					



NOTES: 1: THE TUBE HAS ONE STOPPER AT EACH END.
 2: WARPAGE OF THE TUBE SHALL BE ALLOWED ±2 mm PER 510 mm.
 3: MINIMUM UNIT OF PURCHASE SHALL BE THE QUANTITY OF CONNECTOR IN TUBE.
 4: THE SUFFIX OF CODE NO. SHALL BE '-20'.

2	SBR	STOPPER, GREEN	3	DF9A-31P-1V	(24 CONNECTORS IN TUBE)
1	PS	TUBE, CLEAR			
NO.	MATERIAL	FINISH, REMARKS	NO.	MATERIAL	FINISH, REMARKS
	CODE NO. (OLD) CL				
		DRAWN T. Goi 95. 7. 3		DESIGNED T. Goi 95. 7. 3	CHECKED C. Hanami 95. 7. 6
				APPROVED M. Yamamoto 95. 7. 6	RELEASED
DRAWING NO. EDC3-084731-02		PART NO. DF9A-31P-1V(20)			
SCALE FR:EE		CODE NO. CL540-0025-1-20			
UNITS mm		HRS HIROSE ELECTRIC CO., LTD.			

DRAWING FOR REFERENCE: This is subject to change without notice
08/11/2012

TO

X-ON Electronics

Largest Supplier of Electrical and Electronic Components

Click to view similar products for [Board to Board & Mezzanine Connectors](#) category:

Click to view products by [Hirose](#) manufacturer:

Other Similar products are found below :

[589158040000018](#) [MDF7C-18P-2.54DSA\(55\)](#) [FCN-230C068-11](#) [FCN-268F012-G/BD](#) [FCN-268F036-G/BD](#) [FCN-268M012-G/0D](#) [FCN-268M024-G/1D](#) [FCN-723J004/1](#) [MIS-048-01-F-D-DP-K](#) [832-10-034-10-001000](#) [FX4C-80S-1.27DSA](#) [FCN-214Q030-G/0](#) [FCN-234P048-G/0](#) [FCN-235D050-G/C](#) [210-93-314-41-105000](#) [2-22603-0](#) [MDF7-40DP-2.54DSA\(55\)](#) [AXG720047](#) [MIT-114-03-F-D-K](#) [55323-1519](#) [DF33-2P-3.3DSA\(24\)](#) [YFT-20-05-H-03-SB-K](#) [503308-3040](#) [026-6203-PDB](#) [027-6203-PDB](#) [069159702701000](#) [10123981-102LF](#) [101A10019X](#) [55650-0588-C](#) [68682-310LF](#) [68684-306](#) [75140-7012](#) [87471-650](#) [YTW-30-07-H-Q-410-140](#) [FCN-268F024-G0D](#) [10124054-515LF](#) [68685-603](#) [8-1616154-3](#) [MIS-019-01-F-D](#) [FCN-268M024-G/3D](#) [FCN-268M036-G/BD](#) [20021832-06016C1LF](#) [KX15-20KLDL-E1000E](#) [AXE810124](#) [FCN-214J100-G/0](#) [FCN-230C068-E/S](#) [AXE812124](#) [AXE816124](#) [AXE720127](#) [354184](#)