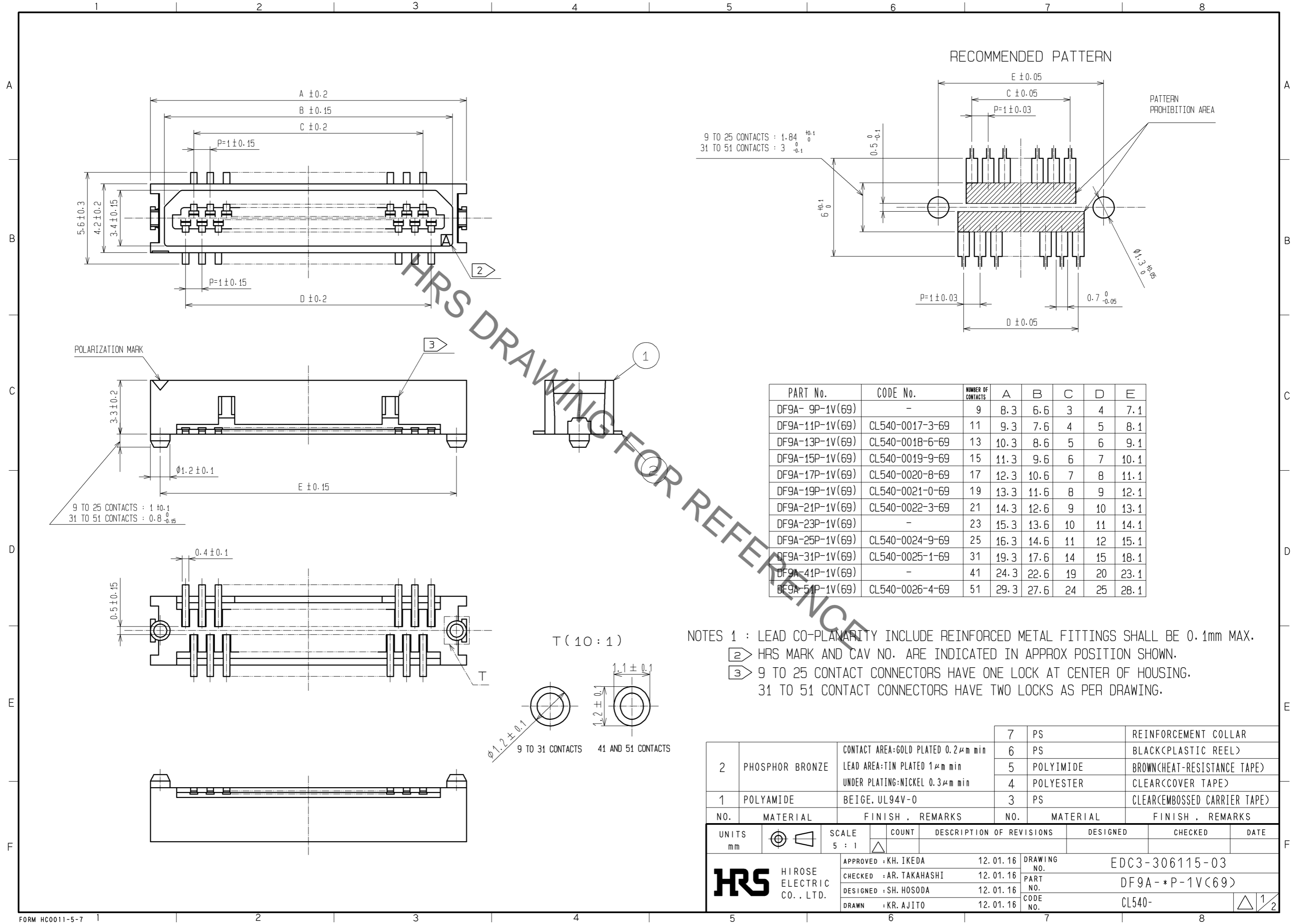
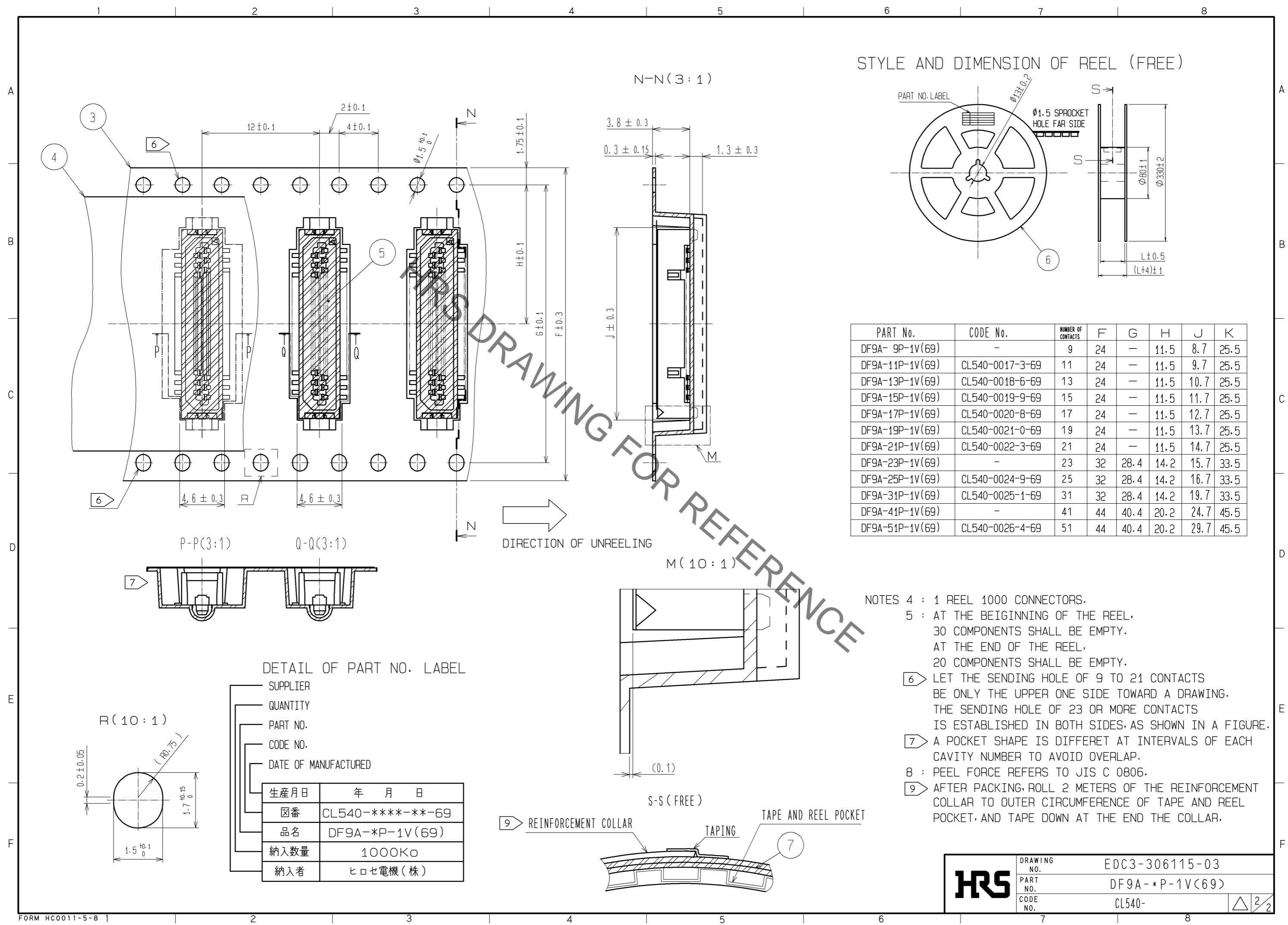


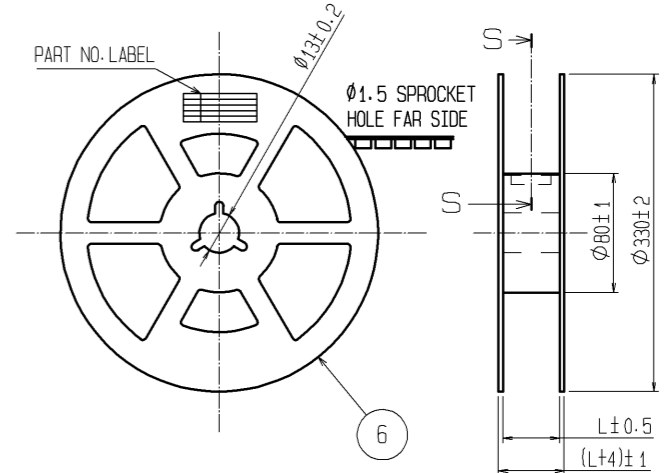
Aug.1.2020 Copyright 2020 HIROSE ELECTRIC CO., LTD. All Rights Reserved.
In case of consideration for using Automotive equipment / device which demand high reliability, kindly contact our sales window correspondents.



Aug.1.2020 Copyright 2020 HIROSE ELECTRIC CO., LTD. All Rights Reserved.
In case of consideration for using Automotive equipment / device which demand high reliability, kindly contact our sales window correspondents.



STYLE AND DIMENSION OF REEL (FREE)



| PART No. | CODE No. | NUMBER OF CONTACTS | F | G | H | J | K |
|-----------------|-----------------|--------------------|----|------|------|------|------|
| DF9A-9P-1V(69) | - | 9 | 24 | - | 11.5 | 8.7 | 25.5 |
| DF9A-11P-1V(69) | CL540-0017-3-69 | 11 | 24 | - | 11.5 | 9.7 | 25.5 |
| DF9A-13P-1V(69) | CL540-0018-6-69 | 13 | 24 | - | 11.5 | 10.7 | 25.5 |
| DF9A-15P-1V(69) | CL540-0019-9-69 | 15 | 24 | - | 11.5 | 11.7 | 25.5 |
| DF9A-17P-1V(69) | CL540-0020-8-69 | 17 | 24 | - | 11.5 | 12.7 | 25.5 |
| DF9A-19P-1V(69) | CL540-0021-0-69 | 19 | 24 | - | 11.5 | 13.7 | 25.5 |
| DF9A-21P-1V(69) | CL540-0022-3-69 | 21 | 24 | - | 11.5 | 14.7 | 25.5 |
| DF9A-23P-1V(69) | - | 23 | 32 | 28.4 | 14.2 | 15.7 | 33.5 |
| DF9A-25P-1V(69) | CL540-0024-9-69 | 25 | 32 | 28.4 | 14.2 | 16.7 | 33.5 |
| DF9A-31P-1V(69) | CL540-0025-1-69 | 31 | 32 | 28.4 | 14.2 | 19.7 | 33.5 |
| DF9A-41P-1V(69) | - | 41 | 44 | 40.4 | 20.2 | 24.7 | 45.5 |
| DF9A-51P-1V(69) | CL540-0026-4-69 | 51 | 44 | 40.4 | 20.2 | 29.7 | 45.5 |

- NOTES
- 4 : 1 REEL 1000 CONNECTORS.
 - 5 : AT THE BEIGINNING OF THE REEL, 30 COMPONENTS SHALL BE EMPTY. AT THE END OF THE REEL, 20 COMPONENTS SHALL BE EMPTY.
 - 6 LET THE SENDING HOLE OF 9 TO 21 CONTACTS BE ONLY THE UPPER ONE SIDE TOWARD A DRAWING. THE SENDING HOLE OF 23 OR MORE CONTACTS IS ESTABLISHED IN BOTH SIDES, AS SHOWN IN A FIGURE.
 - 7 A POCKET SHAPE IS DIFFERET AT INTERVALS OF EACH CAVITY NUMBER TO AVOID OVERLAP.
 - 8 : PEEL FORCE REFERS TO JIS C 0806.
 - 9 AFTER PACKING, ROLL 2 METERS OF THE REINFORCEMENT COLLAR TO OUTER CIRCUMFERENCE OF TAPE AND REEL POCKET, AND TAPE DOWN AT THE END THE COLLAR.

DETAIL OF PART NO. LABEL

| | |
|----------------------|------------------|
| SUPPLIER | |
| QUANTITY | |
| PART NO. | |
| CODE NO. | |
| DATE OF MANUFACTURED | |
| 生産月日 | 年 月 日 |
| 図番 | CL540-****-**-69 |
| 品名 | DF9A-*P-1V(69) |
| 納入数量 | 1000K \square |
| 納入者 | ヒロセ電機(株) |

| | | |
|------------|-------------|----------------|
| HRS | DRAWING NO. | EDC3-306115-03 |
| | PART NO. | DF9A-*P-1V(69) |
| | CODE NO. | CL540- |

X-ON Electronics

Largest Supplier of Electrical and Electronic Components

Click to view similar products for [Board to Board & Mezzanine Connectors](#) category:

Click to view products by [Hirose](#) manufacturer:

Other Similar products are found below :

[10135583-642402LF](#) [89885-310LF](#) [589158040000018](#) [6-1393048-0](#) [68683-613](#) [MDF7-12DP-2.54DSA](#) [MDF7-18P-2.54DSA\(01\)](#) [MDF7-20DP-2.54DSA](#) [MDF7-26D-2.54DSA\(55\)](#) [MDF7-3P-2.54DSA\(01\)](#) [MDF7B-20P-2.54DSA\(01\)](#) [MDF7B-3P-2.54DSA\(55\)](#) [MDF7C-18P-2.54DSA\(55\)](#) [MDF7P-5P-2.54DSA\(55\)](#) [75234-0516](#) [FCN-230C068-11](#) [FCN-268F012-G/BD](#) [FCN-268F036-G/BD](#) [FCN-268M012-G/0D](#) [FCN-268M024-G/1D](#) [FCN-360C008-C](#) [FCN-723J004/1](#) [MIS-048-01-F-D-DP-K](#) [832-10-034-10-001000](#) [93696-325LF](#) [11828-1FA](#) [AXK630345P](#) [18097-0013](#) [2007042-2](#) [304400-2](#) [FCN-214Q030-G/0](#) [FCN-215Q040-G/0](#) [FCN-230C068-ESA](#) [FCN-234P048-G/0](#) [FCN-235D050-G/C](#) [FCN-360A3](#) [FCN-360C040-B](#) [210-93-314-41-105000](#) [2-22603-0](#) [379-064-521-202](#) [MDF7-12P-2.54DSA\(01\)](#) [MDF7-16P-2.54DS\(56\)](#) [MDF7-16P-2.54DSA\(55\)](#) [MDF7-40DP-2.54DSA\(55\)](#) [MDF7-8P-2.54DSA\(55\)](#) [AXG720047](#) [5031084030](#) [55323-1519](#) [DF33-2P-3.3DSA\(24\)](#) [DF33-2S-3.3C](#)