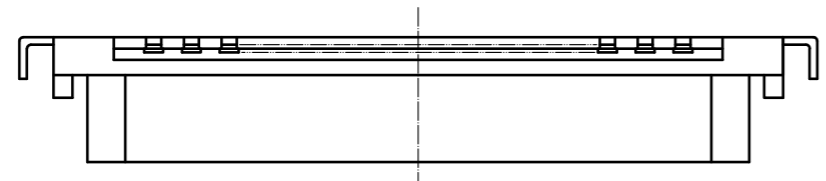
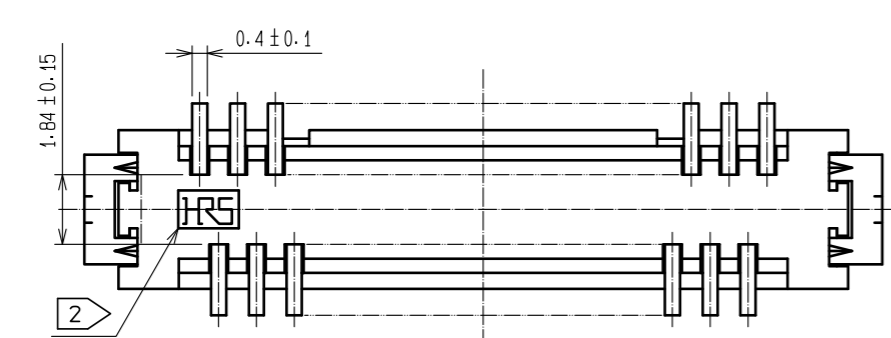
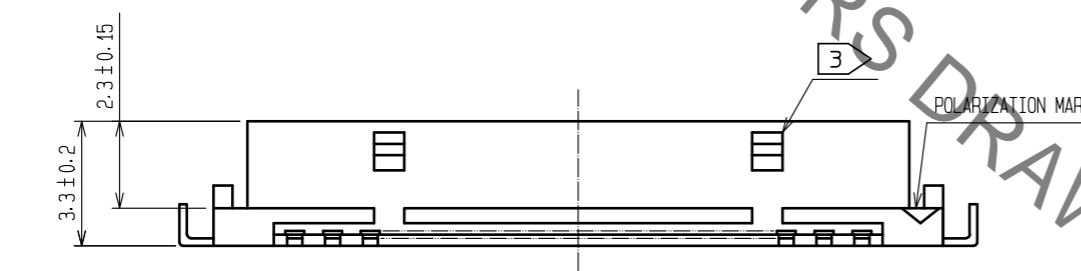
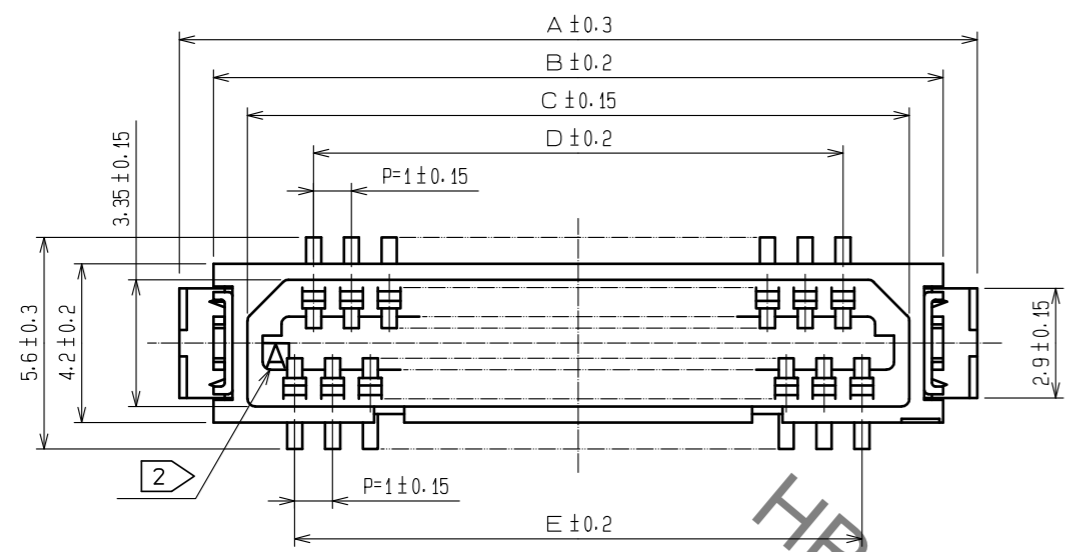
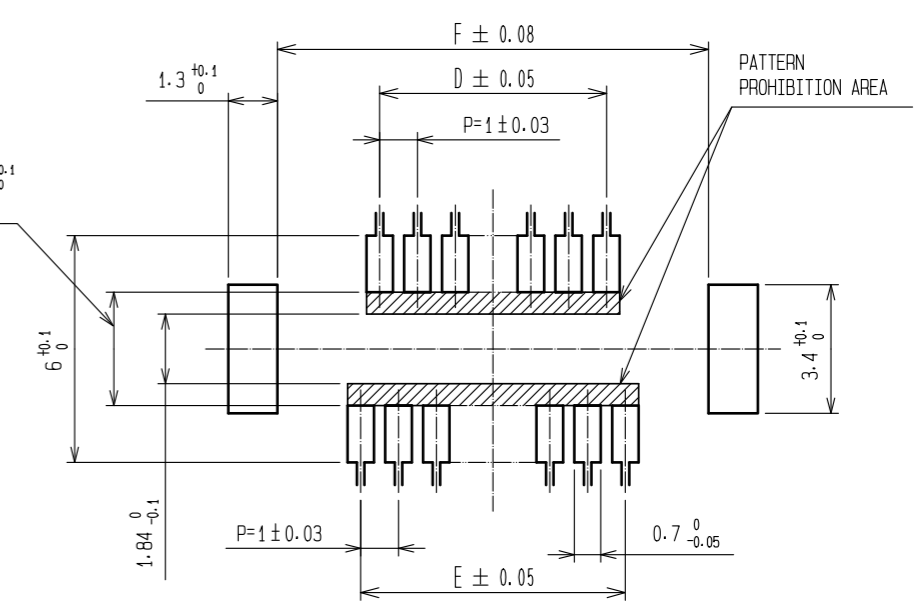


Sep.1.2021 Copyright 2021 HIROSE ELECTRIC CO., LTD. All Rights Reserved.
In case of consideration for using Automotive equipment / device which demand high reliability, kindly contact our sales window correspondents.



9 TO 25 CONTACTS : $1.84^{+0.1}_0$
31 TO 51 CONTACTS : $3^{+0.1}_0$

RECOMMENDED PATTERN



PART No.	CODE No.	NUMBER OF CONTACTS	A	B	C	D	E	F
DF9B-9S-1V(69)	CL540-0125-6-69	9	10.1	8.3	6.5	3	4	8.4
DF9B-11S-1V(69)	-	11	11.1	9.3	7.5	4	5	9.4
DF9B-13S-1V(69)	CL540-0127-1-69	13	12.1	10.3	8.5	5	6	10.4
DF9B-15S-1V(69)	CL540-0128-4-69	15	13.1	11.3	9.5	6	7	11.4
DF9B-17S-1V(69)	CL540-0129-7-69	17	14.1	12.3	10.5	7	8	12.4
DF9B-19S-1V(69)	CL540-0247-3-69	19	15.1	13.3	11.5	8	9	13.4
DF9B-21S-1V(69)	CL540-0131-9-69	21	16.1	14.3	12.5	9	10	14.4
DF9B-23S-1V(69)	CL540-0132-1-69	23	17.1	15.3	13.5	10	11	15.4
DF9B-25S-1V(69)	-	25	18.1	16.3	14.5	11	12	16.4
DF9B-31S-1V(69)	CL540-0143-8-69	31	21.1	19.3	17.5	14	15	19.4
DF9B-41S-1V(69)	CL540-0216-0-69	41	26.1	24.3	22.5	19	20	24.4
DF9B-51S-1V(69)	CL540-0145-3-69	51	31.1	29.3	27.5	24	25	29.4

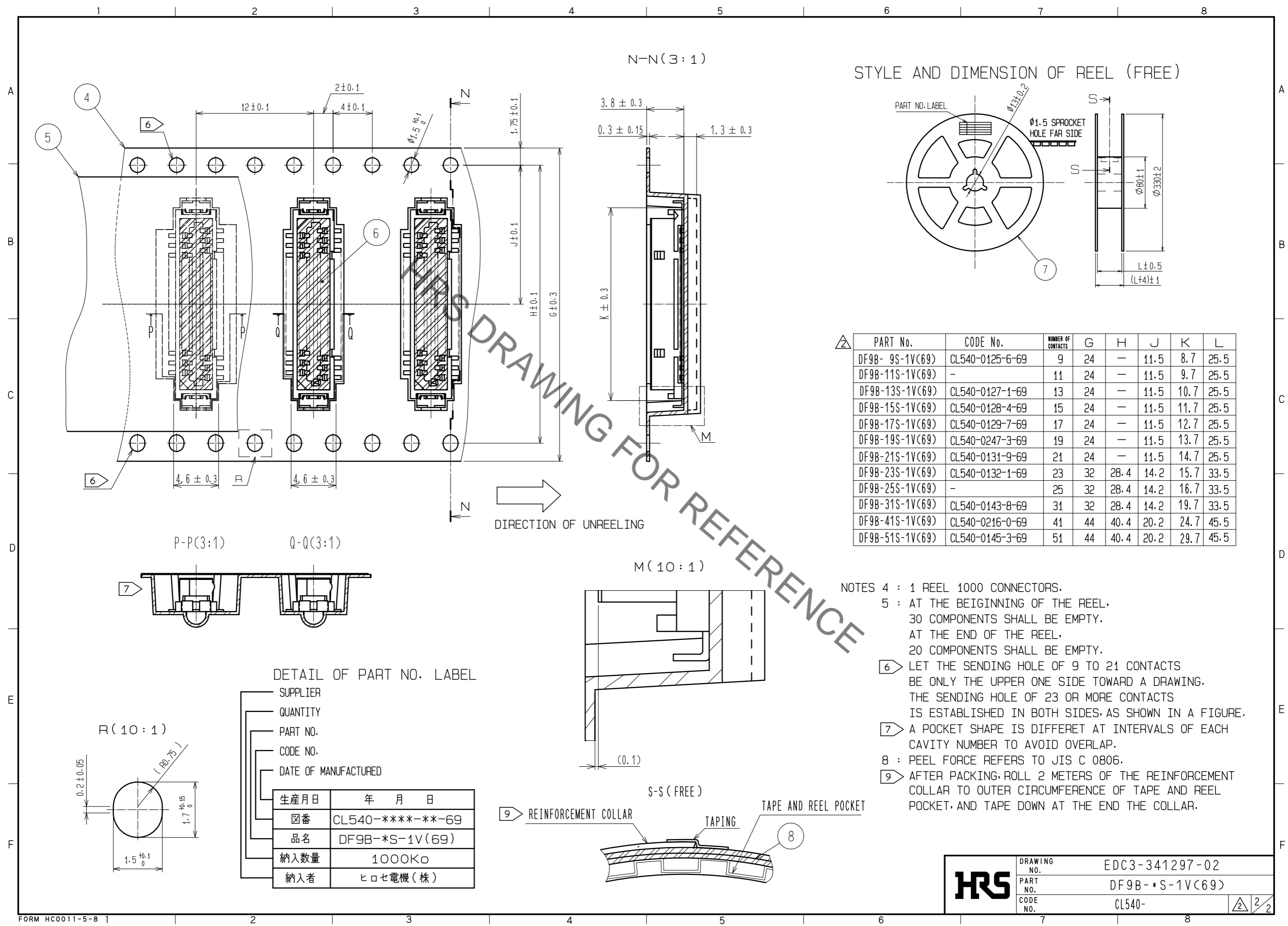
NOTES 1 : LEAD CO-PLANARITY INCLUDE REINFORCED METAL FITTINGS SHALL BE 0.1mm MAX.
 ② HRS MARK AND CAV NO. ARE INDICATED IN APPROX POSITION SHOWN.
 ③ 9 TO 25 CONTACT CONNECTORS HAVE ONE LOCK AT CENTER OF HOUSING.
 31 TO 51 CONTACT CONNECTORS HAVE TWO LOCKS AS PER DRAWING.

NO.	MATERIAL	FINISH . REMARKS	NO.	MATERIAL	FINISH . REMARKS
3	BRASS	SURFACE:TIN PLATED(REFLOW FINISH)1μm min UNDER PLATING:COPPER 0.3μm min	8	PS	REINFORCEMENT COLLAR
2	PHOSPHOR BRONZE	CONTACT AREA:GOLD PLATED 0.2μm min LEAD AREA:TIN PLATED 1μm min UNDER PLATING:NICKEL 0.3μm min	7	PS	BLACK(PLASTIC REEL)
			6	POLYIMIDE	BROWN(HEAT-RESISTANCE TAPE)
			5	POLYESTER	CLEAR(COVER TAPE)
1	POLYAMIDE	BEIGE. UL94V-0	4	PS	CLEAR(EMBOSSED CARRIER TAPE)

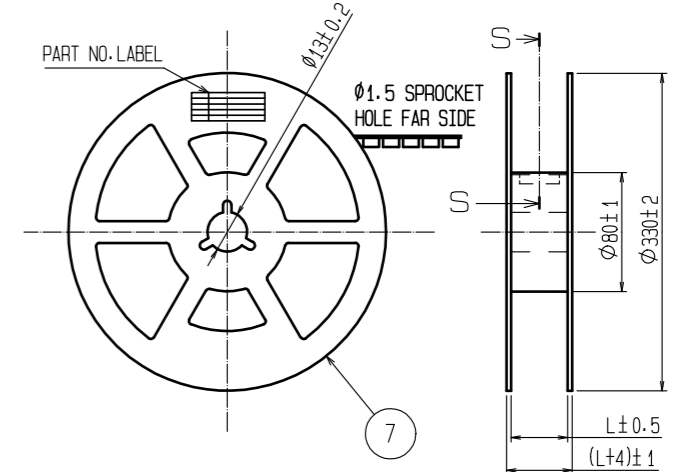
UNITS	SCALE	COUNT	DESCRIPTION OF REVISIONS	DESIGNED	CHECKED	DATE
mm	5 : 1	2	DIS-H-00002725	YT. TAKAGI	TS. MIYAZAKI	17. 09. 28

APPROVED	CHECKED	DESIGNED	DRAWN	DRAWING NO.	PART NO.	CODE NO.
KH. IKEDA	AR. TAKAHASHI	SH. HOSODA	KR. AJITO	EDC3-341297-02	DF9B-*S-1V(69)	CL540-
12. 01. 16	12. 01. 16	12. 01. 16	12. 01. 16			

Sep.1.2021 Copyright 2021 HIROSE ELECTRIC CO., LTD. All Rights Reserved.
In case of consideration for using Automotive equipment / device which demand high reliability, kindly contact our sales window correspondents.



STYLE AND DIMENSION OF REEL (FREE)



△ PART No.	CODE No.	NUMBER OF CONTACTS	G	H	J	K	L
DF9B-9S-1V(69)	CL540-0125-6-69	9	24	—	11.5	8.7	25.5
DF9B-11S-1V(69)	—	11	24	—	11.5	9.7	25.5
DF9B-13S-1V(69)	CL540-0127-1-69	13	24	—	11.5	10.7	25.5
DF9B-15S-1V(69)	CL540-0128-4-69	15	24	—	11.5	11.7	25.5
DF9B-17S-1V(69)	CL540-0129-7-69	17	24	—	11.5	12.7	25.5
DF9B-19S-1V(69)	CL540-0247-3-69	19	24	—	11.5	13.7	25.5
DF9B-21S-1V(69)	CL540-0131-9-69	21	24	—	11.5	14.7	25.5
DF9B-23S-1V(69)	CL540-0132-1-69	23	32	28.4	14.2	15.7	33.5
DF9B-25S-1V(69)	—	25	32	28.4	14.2	16.7	33.5
DF9B-31S-1V(69)	CL540-0143-8-69	31	32	28.4	14.2	19.7	33.5
DF9B-41S-1V(69)	CL540-0216-0-69	41	44	40.4	20.2	24.7	45.5
DF9B-51S-1V(69)	CL540-0145-3-69	51	44	40.4	20.2	29.7	45.5

- NOTES 4 : 1 REEL 1000 CONNECTORS.
 5 : AT THE BEGINNING OF THE REEL, 30 COMPONENTS SHALL BE EMPTY. AT THE END OF THE REEL, 20 COMPONENTS SHALL BE EMPTY.
 6 LET THE SENDING HOLE OF 9 TO 21 CONTACTS BE ONLY THE UPPER ONE SIDE TOWARD A DRAWING. THE SENDING HOLE OF 23 OR MORE CONTACTS IS ESTABLISHED IN BOTH SIDES AS SHOWN IN A FIGURE.
 7 A POCKET SHAPE IS DIFFERET AT INTERVALS OF EACH CAVITY NUMBER TO AVOID OVERLAP.
 8 : PEEL FORCE REFERS TO JIS C 0806.
 9 AFTER PACKING, ROLL 2 METERS OF THE REINFORCEMENT COLLAR TO OUTER CIRCUMFERENCE OF TAPE AND REEL POCKET, AND TAPE DOWN AT THE END THE COLLAR.

DETAIL OF PART NO. LABEL

- SUPPLIER
- QUANTITY
- PART NO.
- CODE NO.
- DATE OF MANUFACTURED

生産月日	年 月 日
箱番	CL540-****-**-69
品名	DF9B-*S-1V(69)
納入数量	1000K0
納入者	ヒロセ電機(株)

HRS	DRAWING NO.	EDC3-341297-02
	PART NO.	DF9B-*S-1V(69)
	CODE NO.	CL540-

X-ON Electronics

Largest Supplier of Electrical and Electronic Components

Click to view similar products for [Board to Board & Mezzanine Connectors](#) category:

Click to view products by [Hirose](#) manufacturer:

Other Similar products are found below :

[589158040000018](#) [MDF7C-18P-2.54DSA\(55\)](#) [FCN-230C068-11](#) [FCN-268F012-G/BD](#) [FCN-268F036-G/BD](#) [FCN-268M012-G/0D](#) [FCN-268M024-G/1D](#) [FCN-723J004/1](#) [MIS-048-01-F-D-DP-K](#) [832-10-034-10-001000](#) [FX4C-80S-1.27DSA](#) [FCN-214Q030-G/0](#) [FCN-234P048-G/0](#) [FCN-235D050-G/C](#) [210-93-314-41-105000](#) [2-22603-0](#) [MDF7-40DP-2.54DSA\(55\)](#) [AXG720047](#) [MIT-114-03-F-D-K](#) [55323-1519](#) [DF33-2P-3.3DSA\(24\)](#) [YFT-20-05-H-03-SB-K](#) [503308-3040](#) [026-6203-PDB](#) [027-6203-PDB](#) [069159702701000](#) [10123981-102LF](#) [101A10019X](#) [55650-0588-C](#) [68682-310LF](#) [68684-306](#) [75140-7012](#) [87471-650](#) [YTW-30-07-H-Q-410-140](#) [FCN-268F024-G0D](#) [10124054-515LF](#) [68685-603](#) [8-1616154-3](#) [MIS-019-01-F-D](#) [FCN-268M024-G/3D](#) [FCN-268M036-G/BD](#) [20021832-06016C1LF](#) [KX15-20KLDL-E1000E](#) [AXE810124](#) [FCN-214J100-G/0](#) [FCN-230C068-E/S](#) [AXE812124](#) [AXE816124](#) [AXE720127](#) [354184](#)