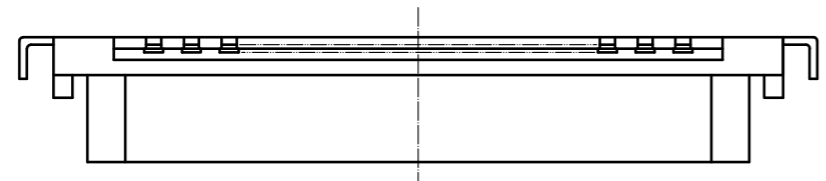
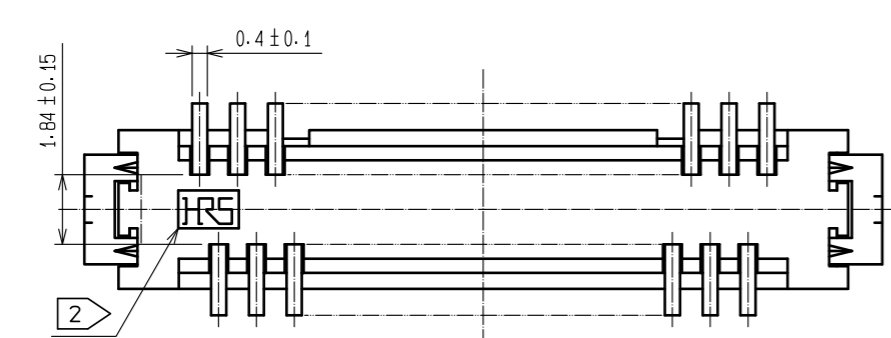
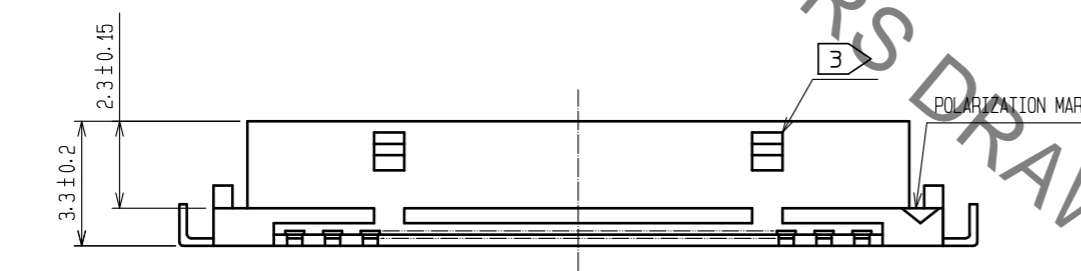
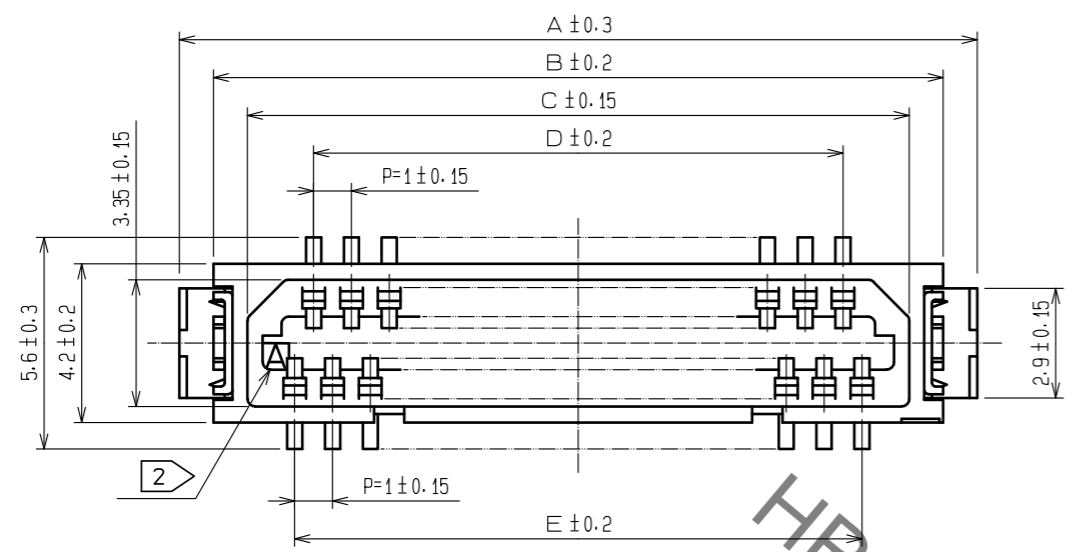
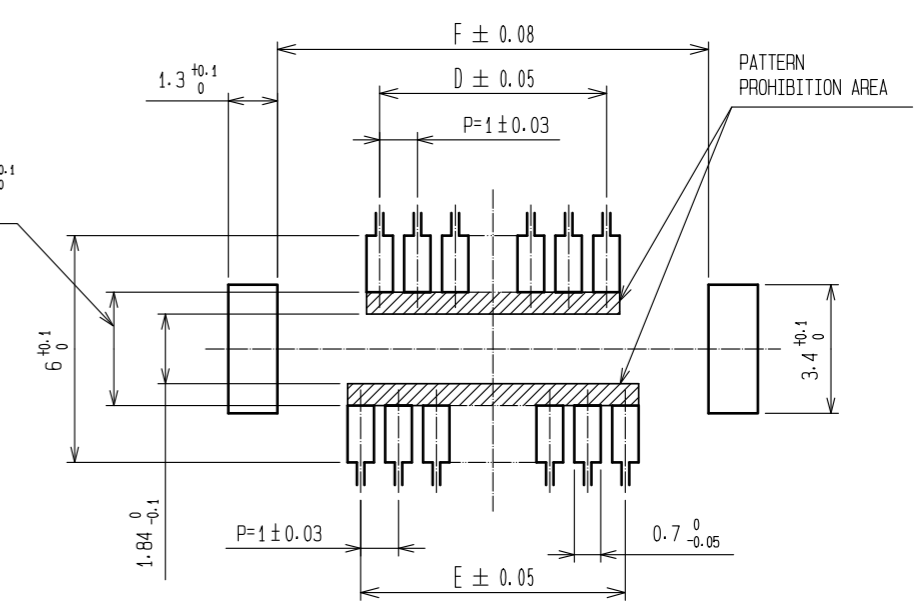


Sep.1.2021 Copyright 2021 HIROSE ELECTRIC CO., LTD. All Rights Reserved.
In case of consideration for using Automotive equipment / device which demand high reliability, kindly contact our sales window correspondents.



9 TO 25 CONTACTS : $1.84^{+0.1}_0$
31 TO 51 CONTACTS : $3^{+0.1}_0$

RECOMMENDED PATTERN



| PART No. | CODE No. | NUMBER OF CONTACTS | A | B | C | D | E | F |
|-----------------|-----------------|--------------------|------|------|------|----|----|------|
| DF9B-9S-1V(69) | CL540-0125-6-69 | 9 | 10.1 | 8.3 | 6.5 | 3 | 4 | 8.4 |
| DF9B-11S-1V(69) | - | 11 | 11.1 | 9.3 | 7.5 | 4 | 5 | 9.4 |
| DF9B-13S-1V(69) | CL540-0127-1-69 | 13 | 12.1 | 10.3 | 8.5 | 5 | 6 | 10.4 |
| DF9B-15S-1V(69) | CL540-0128-4-69 | 15 | 13.1 | 11.3 | 9.5 | 6 | 7 | 11.4 |
| DF9B-17S-1V(69) | CL540-0129-7-69 | 17 | 14.1 | 12.3 | 10.5 | 7 | 8 | 12.4 |
| DF9B-19S-1V(69) | CL540-0247-3-69 | 19 | 15.1 | 13.3 | 11.5 | 8 | 9 | 13.4 |
| DF9B-21S-1V(69) | CL540-0131-9-69 | 21 | 16.1 | 14.3 | 12.5 | 9 | 10 | 14.4 |
| DF9B-23S-1V(69) | CL540-0132-1-69 | 23 | 17.1 | 15.3 | 13.5 | 10 | 11 | 15.4 |
| DF9B-25S-1V(69) | - | 25 | 18.1 | 16.3 | 14.5 | 11 | 12 | 16.4 |
| DF9B-31S-1V(69) | CL540-0143-8-69 | 31 | 21.1 | 19.3 | 17.5 | 14 | 15 | 19.4 |
| DF9B-41S-1V(69) | CL540-0216-0-69 | 41 | 26.1 | 24.3 | 22.5 | 19 | 20 | 24.4 |
| DF9B-51S-1V(69) | CL540-0145-3-69 | 51 | 31.1 | 29.3 | 27.5 | 24 | 25 | 29.4 |

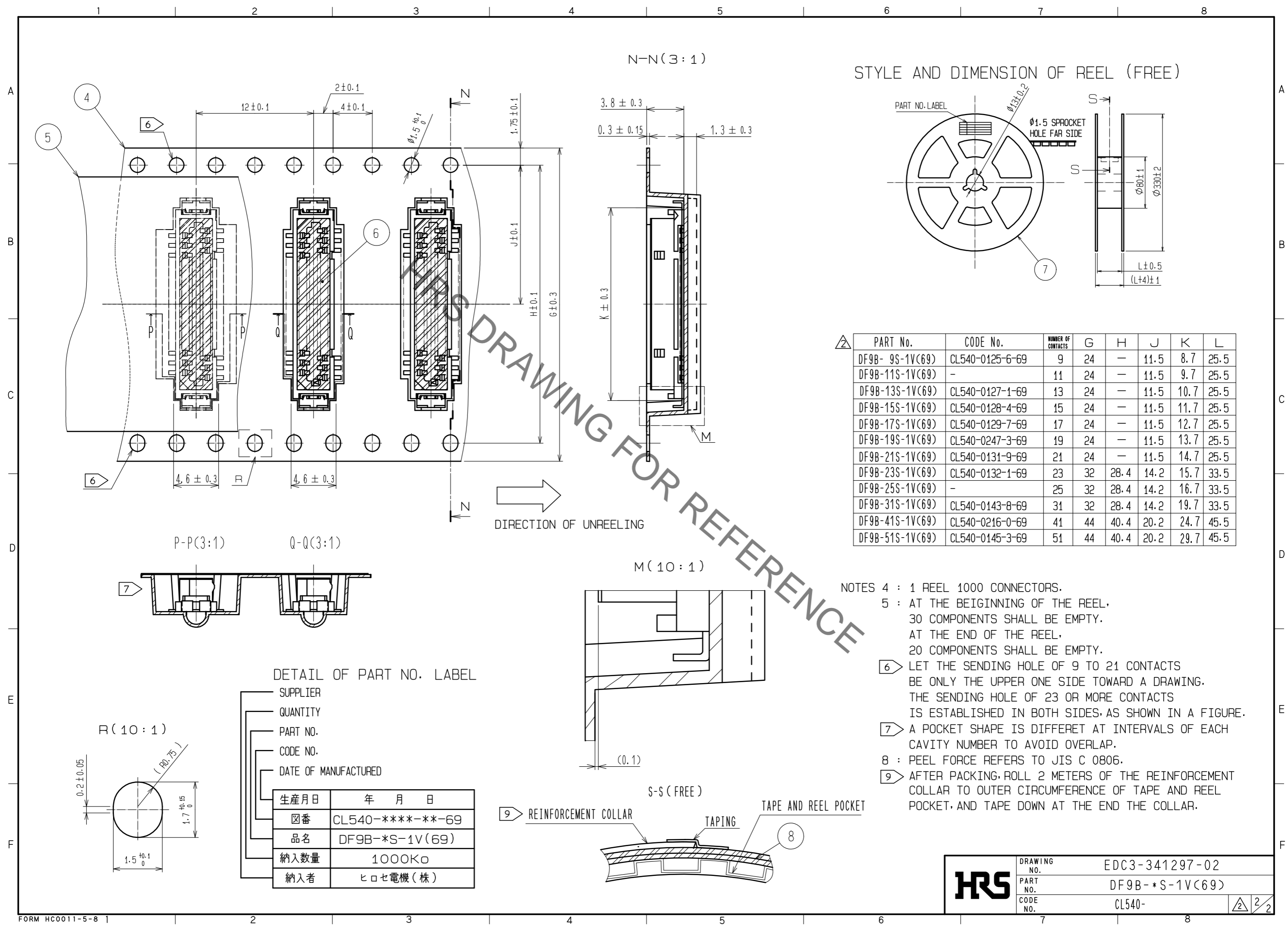
NOTES 1 : LEAD CO-PLANARITY INCLUDE REINFORCED METAL FITTINGS SHALL BE 0.1mm MAX.
 2 HRS MARK AND CAV NO. ARE INDICATED IN APPROX POSITION SHOWN.
 3 9 TO 25 CONTACT CONNECTORS HAVE ONE LOCK AT CENTER OF HOUSING.
 31 TO 51 CONTACT CONNECTORS HAVE TWO LOCKS AS PER DRAWING.

| NO. | MATERIAL | FINISH . | REMARKS | NO. | MATERIAL | FINISH . | REMARKS |
|-----|-----------------|--|---------|-----|-----------|----------|------------------------------|
| 3 | BRASS | SURFACE:TIN PLATED(REFLOW FINISH)1μm min UNDER PLATING:COPPER 0.3μm min | | 8 | PS | | REINFORCEMENT COLLAR |
| 2 | PHOSPHOR BRONZE | CONTACT AREA:GOLD PLATED 0.2μm min LEAD AREA:TIN PLATED 1μm min UNDER PLATING:NICKEL 0.3μm min | | 7 | PS | | BLACK(PLASTIC REEL) |
| | | | | 6 | POLYIMIDE | | BROWN(HEAT-RESISTANCE TAPE) |
| | | | | 5 | POLYESTER | | CLEAR(COVER TAPE) |
| 1 | POLYAMIDE | BEIGE. UL94V-0 | | 4 | PS | | CLEAR(EMBOSSED CARRIER TAPE) |

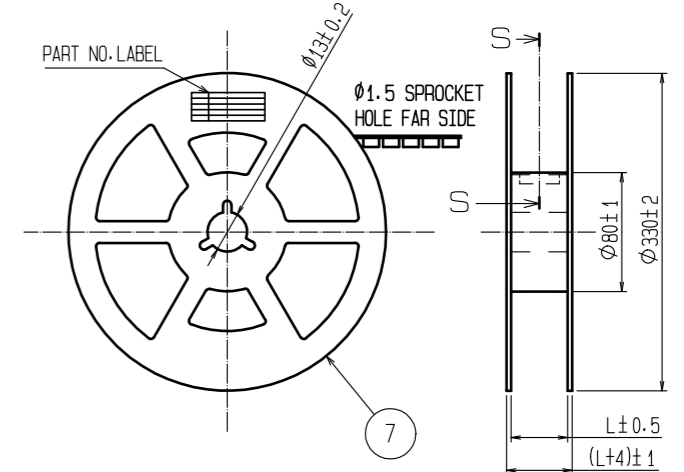
| UNITS | SCALE | COUNT | DESCRIPTION OF REVISIONS | DESIGNED | CHECKED | DATE |
|-------|-------|-------|--------------------------|------------|--------------|------------|
| mm | 5 : 1 | 2 | DIS-H-00002725 | YT. TAKAGI | TS. MIYAZAKI | 17. 09. 28 |

| | | | |
|--------------------------------------|-------------------------|------------|--|
| HRS HIROSE ELECTRIC CO., LTD. | APPROVED : KH. IKEDA | 12. 01. 16 | DRAWING NO. EDC3-341297-02 PART NO. DF9B-*S-1V(69) CODE NO. CL540- |
| | CHECKED : AR. TAKAHASHI | 12. 01. 16 | |
| | DESIGNED : SH. HOSODA | 12. 01. 16 | |
| | DRAWN : KR. AJITO | 12. 01. 16 | |

Sep.1.2021 Copyright 2021 HIROSE ELECTRIC CO., LTD. All Rights Reserved.
In case of consideration for using Automotive equipment / device which demand high reliability, kindly contact our sales window correspondents.



STYLE AND DIMENSION OF REEL (FREE)



| △ PART No. | CODE No. | NUMBER OF CONTACTS | G | H | J | K | L |
|-----------------|-----------------|--------------------|----|------|------|------|------|
| DF9B-9S-1V(69) | CL540-0125-6-69 | 9 | 24 | — | 11.5 | 8.7 | 25.5 |
| DF9B-11S-1V(69) | — | 11 | 24 | — | 11.5 | 9.7 | 25.5 |
| DF9B-13S-1V(69) | CL540-0127-1-69 | 13 | 24 | — | 11.5 | 10.7 | 25.5 |
| DF9B-15S-1V(69) | CL540-0128-4-69 | 15 | 24 | — | 11.5 | 11.7 | 25.5 |
| DF9B-17S-1V(69) | CL540-0129-7-69 | 17 | 24 | — | 11.5 | 12.7 | 25.5 |
| DF9B-19S-1V(69) | CL540-0247-3-69 | 19 | 24 | — | 11.5 | 13.7 | 25.5 |
| DF9B-21S-1V(69) | CL540-0131-9-69 | 21 | 24 | — | 11.5 | 14.7 | 25.5 |
| DF9B-23S-1V(69) | CL540-0132-1-69 | 23 | 32 | 28.4 | 14.2 | 15.7 | 33.5 |
| DF9B-25S-1V(69) | — | 25 | 32 | 28.4 | 14.2 | 16.7 | 33.5 |
| DF9B-31S-1V(69) | CL540-0143-8-69 | 31 | 32 | 28.4 | 14.2 | 19.7 | 33.5 |
| DF9B-41S-1V(69) | CL540-0216-0-69 | 41 | 44 | 40.4 | 20.2 | 24.7 | 45.5 |
| DF9B-51S-1V(69) | CL540-0145-3-69 | 51 | 44 | 40.4 | 20.2 | 29.7 | 45.5 |

- NOTES
- 4 : 1 REEL 1000 CONNECTORS.
 - 5 : AT THE BEGINNING OF THE REEL, 30 COMPONENTS SHALL BE EMPTY. AT THE END OF THE REEL, 20 COMPONENTS SHALL BE EMPTY.
 - 6 LET THE SENDING HOLE OF 9 TO 21 CONTACTS BE ONLY THE UPPER ONE SIDE TOWARD A DRAWING. THE SENDING HOLE OF 23 OR MORE CONTACTS IS ESTABLISHED IN BOTH SIDES AS SHOWN IN A FIGURE.
 - 7 A POCKET SHAPE IS DIFFERET AT INTERVALS OF EACH CAVITY NUMBER TO AVOID OVERLAP.
 - 8 : PEEL FORCE REFERS TO JIS C 0806.
 - 9 AFTER PACKING, ROLL 2 METERS OF THE REINFORCEMENT COLLAR TO OUTER CIRCUMFERENCE OF TAPE AND REEL POCKET, AND TAPE DOWN AT THE END THE COLLAR.

DETAIL OF PART NO. LABEL

- SUPPLIER
- QUANTITY
- PART NO.
- CODE NO.
- DATE OF MANUFACTURED

| | |
|------|------------------|
| 生産月日 | 年 月 日 |
| 箱番 | CL540-****-**-69 |
| 品名 | DF9B-*S-1V(69) |
| 納入数量 | 1000K0 |
| 納入者 | ヒロセ電機(株) |

| | | |
|------------|-------------|----------------|
| HRS | DRAWING NO. | EDC3-341297-02 |
| | PART NO. | DF9B-*S-1V(69) |
| | CODE NO. | CL540- |

X-ON Electronics

Largest Supplier of Electrical and Electronic Components

Click to view similar products for [Board to Board & Mezzanine Connectors](#) category:

Click to view products by [Hirose](#) manufacturer:

Other Similar products are found below :

[589158040000018](#) [MDF7C-18P-2.54DSA\(55\)](#) [FCN-230C068-11](#) [FCN-268F012-G/BD](#) [FCN-268F036-G/BD](#) [FCN-268M012-G/0D](#) [FCN-268M024-G/1D](#) [FCN-723J004/1](#) [MIS-048-01-F-D-DP-K](#) [832-10-034-10-001000](#) [FX4C-80S-1.27DSA](#) [FCN-214Q030-G/0](#) [FCN-234P048-G/0](#) [FCN-235D050-G/C](#) [210-93-314-41-105000](#) [2-22603-0](#) [MDF7-40DP-2.54DSA\(55\)](#) [AXG720047](#) [MIT-114-03-F-D-K](#) [55323-1519](#) [DF33-2P-3.3DSA\(24\)](#) [YFT-20-05-H-03-SB-K](#) [503308-3040](#) [026-6203-PDB](#) [027-6203-PDB](#) [069159702701000](#) [10123981-102LF](#) [101A10019X](#) [55650-0588-C](#) [68682-310LF](#) [68684-306](#) [75140-7012](#) [87471-650](#) [YTW-30-07-H-Q-410-140](#) [FCN-268F024-G0D](#) [10124054-515LF](#) [68685-603](#) [8-1616154-3](#) [MIS-019-01-F-D](#) [FCN-268M024-G/3D](#) [FCN-268M036-G/BD](#) [20021832-06016C1LF](#) [KX15-20KLDL-E1000E](#) [AXE810124](#) [FCN-214J100-G/0](#) [FCN-230C068-E/S](#) [AXE812124](#) [AXE816124](#) [AXE720127](#) [354184](#)