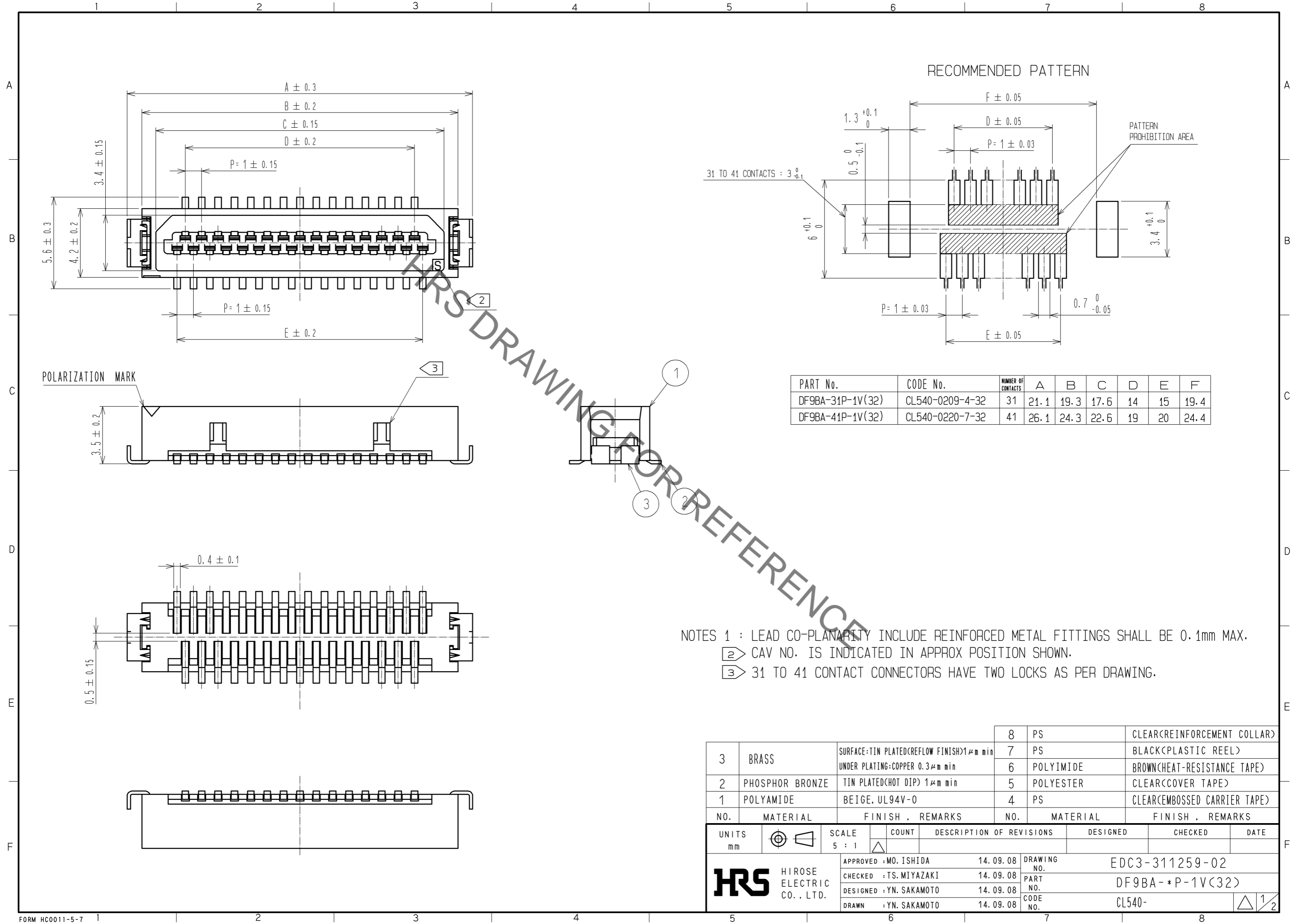


Sep.1.2021 Copyright 2021 HIROSE ELECTRIC CO., LTD. All Rights Reserved.
In case of consideration for using Automotive equipment / device which demand high reliability, kindly contact our sales window correspondents.



| PART No. | CODE No. | NUMBER OF CONTACTS | A | B | C | D | E | F |
|------------------|-----------------|--------------------|------|------|------|----|----|------|
| DF9BA-31P-1V(32) | CL540-0209-4-32 | 31 | 21.1 | 19.3 | 17.6 | 14 | 15 | 19.4 |
| DF9BA-41P-1V(32) | CL540-0220-7-32 | 41 | 26.1 | 24.3 | 22.6 | 19 | 20 | 24.4 |

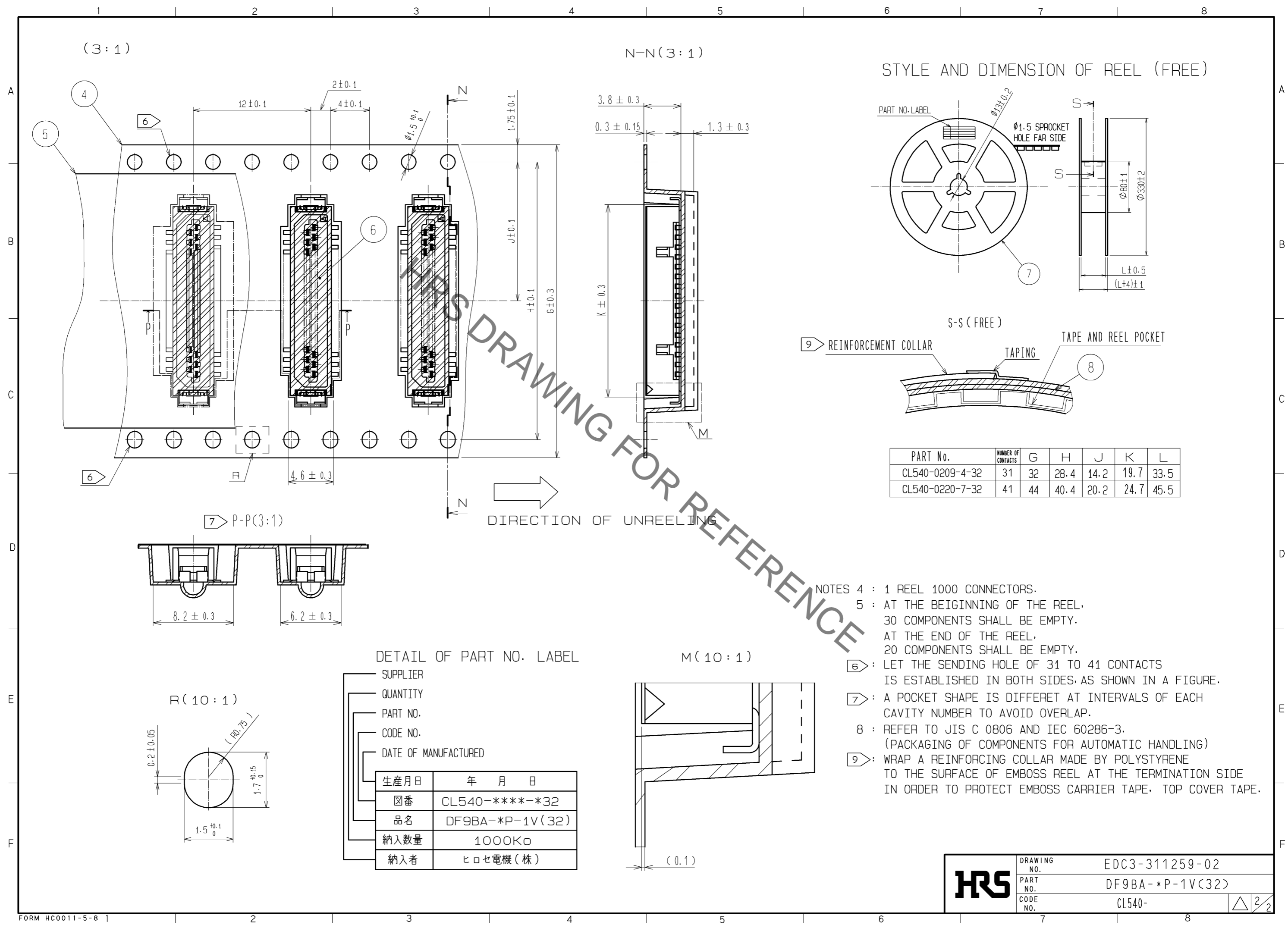
NOTES 1 : LEAD CO-PLANARITY INCLUDE REINFORCED METAL FITTINGS SHALL BE 0.1mm MAX.
 ② CAV NO. IS INDICATED IN APPROX POSITION SHOWN.
 ③ 31 TO 41 CONTACT CONNECTORS HAVE TWO LOCKS AS PER DRAWING.

| NO. | MATERIAL | FINISH . REMARKS | NO. | MATERIAL | FINISH . REMARKS |
|-----|-----------------|--|-----|-----------|------------------------------|
| 3 | BRASS | SURFACE:TIN PLATED(REFLOW FINISH)1μm min UNDER PLATING:COPPER 0.3μm min | 8 | PS | CLEAR(REINFORCEMENT COLLAR) |
| 2 | PHOSPHOR BRONZE | TIN PLATED(HOT DIP) 1μm min | 7 | PS | BLACK(PLASTIC REEL) |
| 1 | POLYAMIDE | BEIGE, UL94V-0 | 6 | POLYIMIDE | BROWN(HEAT-RESISTANCE TAPE) |
| | | | 5 | POLYESTER | CLEAR(COVER TAPE) |
| | | | 4 | PS | CLEAR(EMBOSSED CARRIER TAPE) |

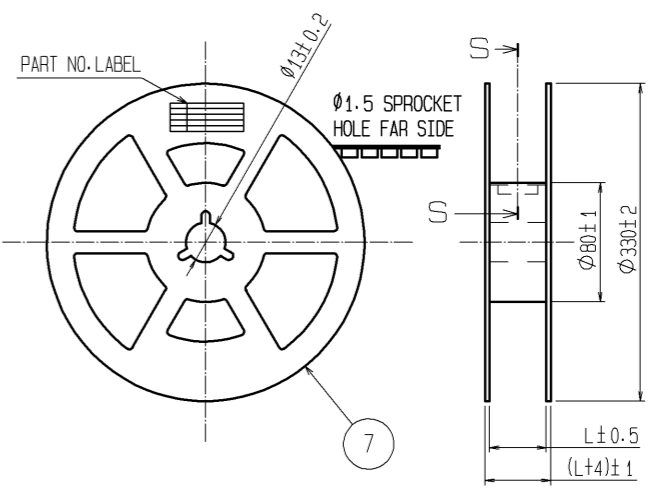
| UNITS | SCALE | COUNT | DESCRIPTION OF REVISIONS | DESIGNED | CHECKED | DATE |
|-------|-------|-------|--------------------------|----------|---------|------|
| mm | 5 : 1 | △ | | | | |

| | | | |
|-------------------------|------------|-------------|------------------|
| APPROVED : MO. ISHIDA | 14. 09. 08 | DRAWING NO. | EDC3-311259-02 |
| CHECKED : TS. MIYAZAKI | 14. 09. 08 | PART NO. | DF9BA- *P-1V(32) |
| DESIGNED : YN. SAKAMOTO | 14. 09. 08 | CODE NO. | CL540- |
| DRAWN : YN. SAKAMOTO | 14. 09. 08 | | |

Sep.1.2021 Copyright 2021 HIROSE ELECTRIC CO., LTD. All Rights Reserved.
In case of consideration for using Automotive equipment / device which demand high reliability, kindly contact our sales window correspondents.



STYLE AND DIMENSION OF REEL (FREE)



| PART No. | NUMBER OF CONTACTS | G | H | J | K | L |
|-----------------|--------------------|----|------|------|------|------|
| CL540-0209-4-32 | 31 | 32 | 28.4 | 14.2 | 19.7 | 33.5 |
| CL540-0220-7-32 | 41 | 44 | 40.4 | 20.2 | 24.7 | 45.5 |

- NOTES
- 4 : 1 REEL 1000 CONNECTORS.
 - 5 : AT THE BEGINNING OF THE REEL, 30 COMPONENTS SHALL BE EMPTY. AT THE END OF THE REEL, 20 COMPONENTS SHALL BE EMPTY.
 - 6 : LET THE SENDING HOLE OF 31 TO 41 CONTACTS IS ESTABLISHED IN BOTH SIDES, AS SHOWN IN A FIGURE.
 - 7 : A POCKET SHAPE IS DIFFERET AT INTERVALS OF EACH CAVITY NUMBER TO AVOID OVERLAP.
 - 8 : REFER TO JIS C 0806 AND IEC 60286-3. (PACKAGING OF COMPONENTS FOR AUTOMATIC HANDLING)
 - 9 : WRAP A REINFORCING COLLAR MADE BY POLYSTYRENE TO THE SURFACE OF EMBOSS REEL AT THE TERMINATION SIDE IN ORDER TO PROTECT EMBOSS CARRIER TAPE, TOP COVER TAPE.

DETAIL OF PART NO. LABEL

| | |
|----------------------|-----------------|
| SUPPLIER | |
| QUANTITY | |
| PART NO. | |
| CODE NO. | |
| DATE OF MANUFACTURED | |
| 生産月日 | 年 月 日 |
| ☒番 | CL540-****-*32 |
| 品名 | DF9BA-*P-1V(32) |
| 納入数量 | 1000K□ |
| 納入者 | ヒロセ電機(株) |

| | | |
|------------|-------------|-----------------|
| HRS | DRAWING NO. | EDC3-311259-02 |
| | PART NO. | DF9BA-*P-1V(32) |
| | CODE NO. | CL540- |
| | | △ 2/2 |

X-ON Electronics

Largest Supplier of Electrical and Electronic Components

Click to view similar products for [Board to Board & Mezzanine Connectors](#) category:

Click to view products by [Hirose](#) manufacturer:

Other Similar products are found below :

[589158040000018](#) [MDF7C-18P-2.54DSA\(55\)](#) [FCN-230C068-11](#) [FCN-268F012-G/BD](#) [FCN-268F036-G/BD](#) [FCN-268M012-G/0D](#) [FCN-268M024-G/1D](#) [FCN-723J004/1](#) [MIS-048-01-F-D-DP-K](#) [832-10-034-10-001000](#) [FX4C-80S-1.27DSA](#) [FCN-214Q030-G/0](#) [FCN-234P048-G/0](#) [FCN-235D050-G/C](#) [210-93-314-41-105000](#) [2-22603-0](#) [MDF7-40DP-2.54DSA\(55\)](#) [AXG720047](#) [MIT-114-03-F-D-K](#) [55323-1519](#) [DF33-2P-3.3DSA\(24\)](#) [YFT-20-05-H-03-SB-K](#) [503308-3040](#) [026-6203-PDB](#) [027-6203-PDB](#) [069159702701000](#) [10123981-102LF](#) [101A10019X](#) [55650-0588-C](#) [68682-310LF](#) [68684-306](#) [75140-7012](#) [87471-650](#) [YTW-30-07-H-Q-410-140](#) [FCN-268F024-G0D](#) [10124054-515LF](#) [68685-603](#) [8-1616154-3](#) [MIS-019-01-F-D](#) [FCN-268M024-G/3D](#) [FCN-268M036-G/BD](#) [20021832-06016C1LF](#) [KX15-20KLDL-E1000E](#) [AXE810124](#) [FCN-214J100-G/0](#) [FCN-230C068-E/S](#) [AXE812124](#) [AXE816124](#) [AXE720127](#) [354184](#)