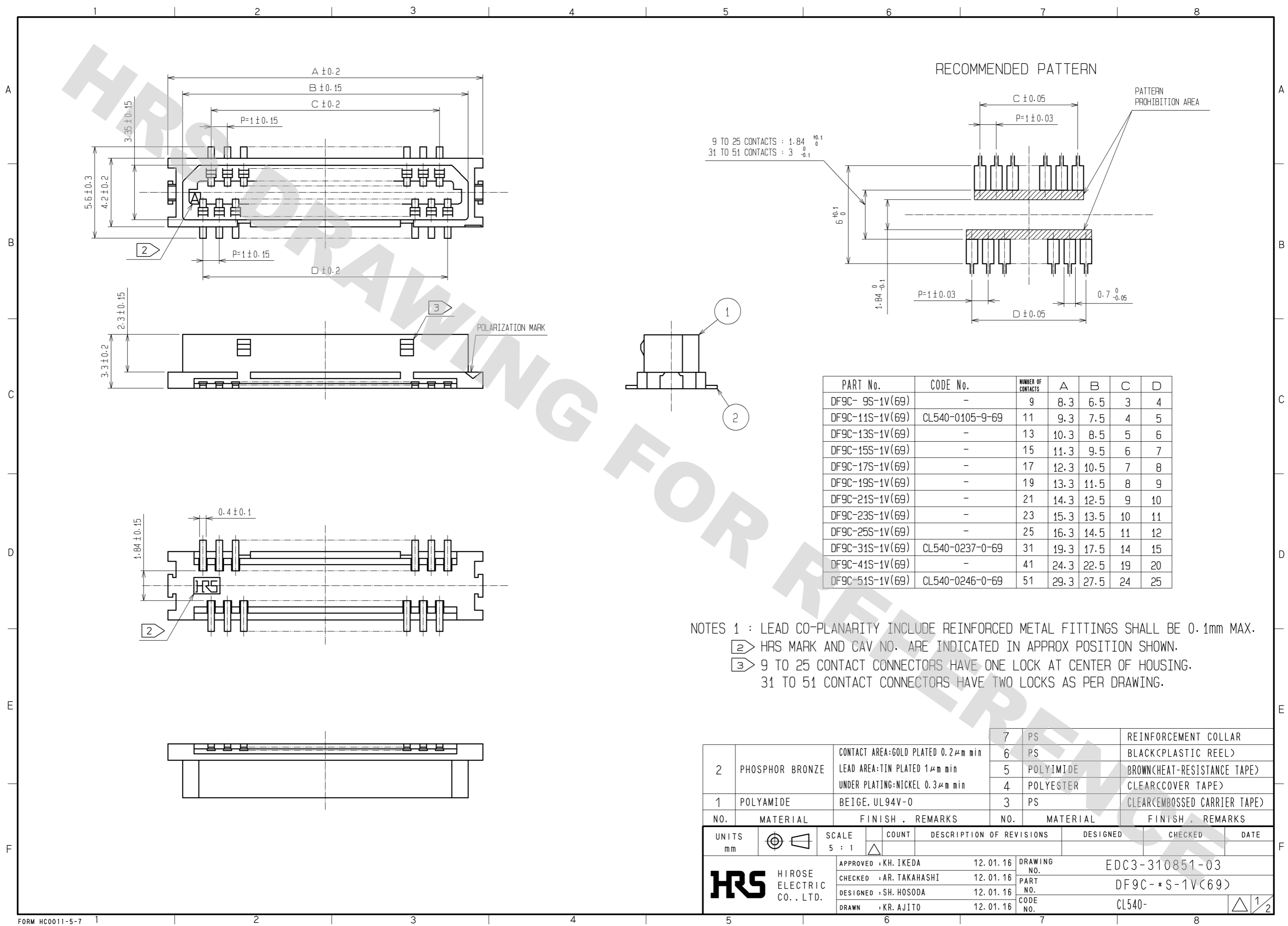


DRAWING FOR REFERENCE: This is subject to change without notice
08/11/2012



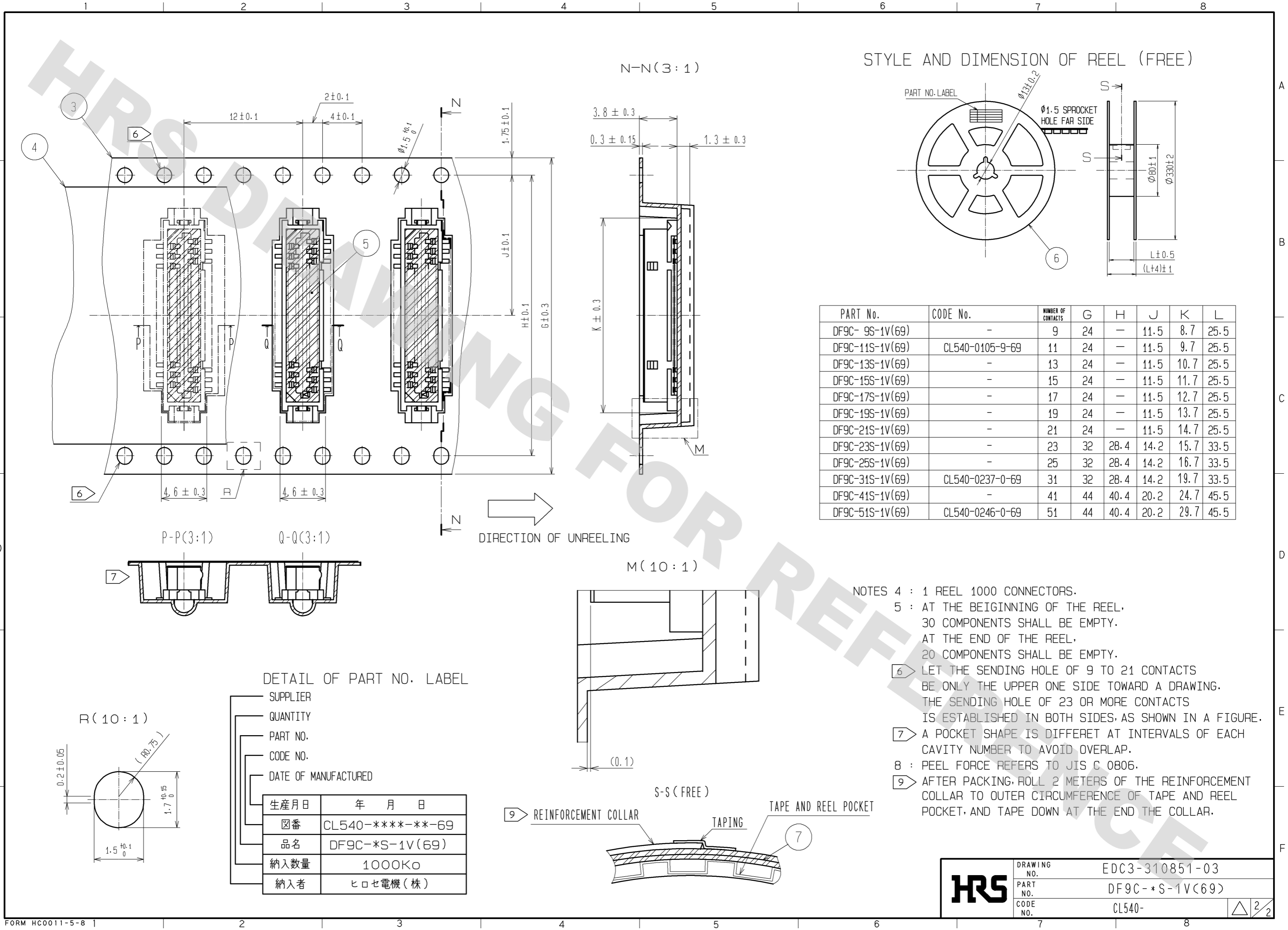
PART No.	CODE No.	NUMBER OF CONTACTS	A	B	C	D
DF9C-9S-1V(69)	-	9	8.3	6.5	3	4
DF9C-11S-1V(69)	CL540-0105-9-69	11	9.3	7.5	4	5
DF9C-13S-1V(69)	-	13	10.3	8.5	5	6
DF9C-15S-1V(69)	-	15	11.3	9.5	6	7
DF9C-17S-1V(69)	-	17	12.3	10.5	7	8
DF9C-19S-1V(69)	-	19	13.3	11.5	8	9
DF9C-21S-1V(69)	-	21	14.3	12.5	9	10
DF9C-23S-1V(69)	-	23	15.3	13.5	10	11
DF9C-25S-1V(69)	-	25	16.3	14.5	11	12
DF9C-31S-1V(69)	CL540-0237-0-69	31	19.3	17.5	14	15
DF9C-41S-1V(69)	-	41	24.3	22.5	19	20
DF9C-51S-1V(69)	CL540-0246-0-69	51	29.3	27.5	24	25

NOTES 1 : LEAD CO-PLANARITY INCLUDE REINFORCED METAL FITTINGS SHALL BE 0.1mm MAX.
 2 HRS MARK AND CAV NO. ARE INDICATED IN APPROX POSITION SHOWN.
 3 9 TO 25 CONTACT CONNECTORS HAVE ONE LOCK AT CENTER OF HOUSING.
 31 TO 51 CONTACT CONNECTORS HAVE TWO LOCKS AS PER DRAWING.

2	PHOSPHOR BRONZE	CONTACT AREA:GOLD PLATED 0.2μm min LEAD AREA:TIN PLATED 1μm min UNDER PLATING:NICKEL 0.3μm min	7	PS	REINFORCEMENT COLLAR
			6	PS	BLACK(PLASTIC REEL)
			5	POLYIMIDE	BROWN(HEAT-RESISTANCE TAPE)
			4	POLYESTER	CLEAR(COVER TAPE)
1	POLYAMIDE	BEIGE, UL94V-0	3	PS	CLEAR(EMBOSSSED CARRIER TAPE)
NO.	MATERIAL	FINISH . REMARKS	NO.	MATERIAL	FINISH . REMARKS

UNITS mm		SCALE 5 : 1	COUNT 	DESCRIPTION OF REVISIONS	DESIGNED	CHECKED	DATE
APPROVED : KH. IKEDA 12.01.16				DRAWING NO.	EDC3-310851-03		
CHECKED : AR. TAKAHASHI 12.01.16				PART NO.	DF9C-*S-1V(69)		
DESIGNED : SH. HOSODA 12.01.16				CODE NO.	CL540-		
DRAWN : KR. AJITO 12.01.16							

DRAWING FOR REFERENCE: This is subject to change without notice
08/11/2012



STYLE AND DIMENSION OF REEL (FREE)

PART No.	CODE No.	NUMBER OF CONTACTS	G	H	J	K	L
DF9C-9S-1V(69)	-	9	24	-	11.5	8.7	25.5
DF9C-11S-1V(69)	CL540-0105-9-69	11	24	-	11.5	9.7	25.5
DF9C-13S-1V(69)	-	13	24	-	11.5	10.7	25.5
DF9C-15S-1V(69)	-	15	24	-	11.5	11.7	25.5
DF9C-17S-1V(69)	-	17	24	-	11.5	12.7	25.5
DF9C-19S-1V(69)	-	19	24	-	11.5	13.7	25.5
DF9C-21S-1V(69)	-	21	24	-	11.5	14.7	25.5
DF9C-23S-1V(69)	-	23	32	28.4	14.2	15.7	33.5
DF9C-25S-1V(69)	-	25	32	28.4	14.2	16.7	33.5
DF9C-31S-1V(69)	CL540-0237-0-69	31	32	28.4	14.2	19.7	33.5
DF9C-41S-1V(69)	-	41	44	40.4	20.2	24.7	45.5
DF9C-51S-1V(69)	CL540-0246-0-69	51	44	40.4	20.2	29.7	45.5

- NOTES 4 : 1 REEL 1000 CONNECTORS.
 5 : AT THE BEGGINING OF THE REEL, 30 COMPONENTS SHALL BE EMPTY. AT THE END OF THE REEL, 20 COMPONENTS SHALL BE EMPTY.
 6 : LET THE SENDING HOLE OF 9 TO 21 CONTACTS BE ONLY THE UPPER ONE SIDE TOWARD A DRAWING. THE SENDING HOLE OF 23 OR MORE CONTACTS IS ESTABLISHED IN BOTH SIDES, AS SHOWN IN A FIGURE.
 7 : A POCKET SHAPE IS DIFFERET AT INTERVALS OF EACH CAVITY NUMBER TO AVOID OVERLAP.
 8 : PEEL FORCE REFERS TO JIS C 0806.
 9 : AFTER PACKING, ROLL 2 METERS OF THE REINFORCEMENT COLLAR TO OUTER CIRCUMFERENCE OF TAPE AND REEL POCKET, AND TAPE DOWN AT THE END THE COLLAR.

DETAIL OF PART NO. LABEL

- SUPPLIER
- QUANTITY
- PART NO.
- CODE NO.
- DATE OF MANUFACTURED

生産月日	年 月 日
図番	CL540-****-**-69
品名	DF9C-*S-1V(69)
納入数量	1000K0
納入者	ヒロセ電機(株)

HRS	DRAWING NO.	EDC3-310851-03
	PART NO.	DF9C-*S-1V(69)
	CODE NO.	CL540-
		△ 2/2

X-ON Electronics

Largest Supplier of Electrical and Electronic Components

Click to view similar products for [Board to Board & Mezzanine Connectors](#) category:

Click to view products by [Hirose](#) manufacturer:

Other Similar products are found below :

[589158040000018](#) [MDF7C-18P-2.54DSA\(55\)](#) [FCN-230C068-11](#) [FCN-268F012-G/BD](#) [FCN-268F036-G/BD](#) [FCN-268M012-G/0D](#) [FCN-268M024-G/1D](#) [FCN-723J004/1](#) [MIS-048-01-F-D-DP-K](#) [832-10-034-10-001000](#) [FX4C-80S-1.27DSA](#) [FCN-214Q030-G/0](#) [FCN-234P048-G/0](#) [FCN-235D050-G/C](#) [210-93-314-41-105000](#) [2-22603-0](#) [MDF7-40DP-2.54DSA\(55\)](#) [AXG720047](#) [MIT-114-03-F-D-K](#) [55323-1519](#) [DF33-2P-3.3DSA\(24\)](#) [YFT-20-05-H-03-SB-K](#) [503308-3040](#) [026-6203-PDB](#) [027-6203-PDB](#) [069159702701000](#) [10123981-102LF](#) [101A10019X](#) [55650-0588-C](#) [68682-310LF](#) [68684-306](#) [75140-7012](#) [87471-650](#) [YTW-30-07-H-Q-410-140](#) [FCN-268F024-G0D](#) [10124054-515LF](#) [68685-603](#) [8-1616154-3](#) [MIS-019-01-F-D](#) [FCN-268M024-G/3D](#) [FCN-268M036-G/BD](#) [20021832-06016C1LF](#) [KX15-20KLDL-E1000E](#) [AXE810124](#) [FCN-214J100-G/0](#) [FCN-230C068-E/S](#) [AXE812124](#) [AXE816124](#) [AXE720127](#) [354184](#)