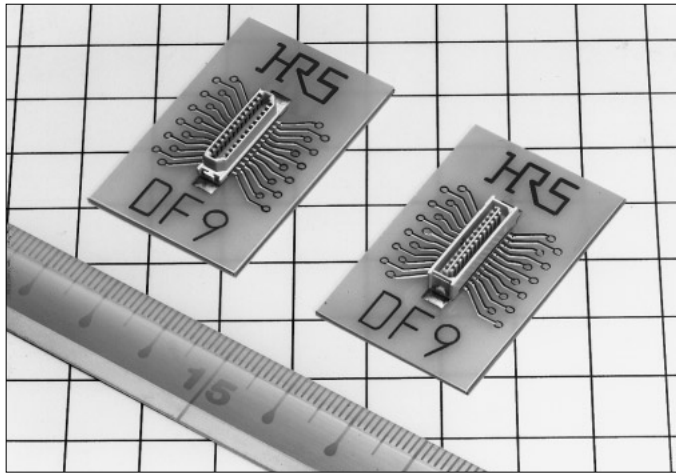


1mm Pitch SMT Board to Board Connector(Standard Interface Connector Compliant with VESA FPDI-1)

DF9 Series



■ Features

1. Compliant with the VESA FPDI-1 Standard Interface Connector

The 31 and 41 contact connectors comply with the standard connector specification for the flat panel display interface, which U.S VESA. has selected as FPDI-1.

VESA: Video Electronics Standards Association

FPDI-1: Flat Panel Display Interface

2. Perfect Mis-insertion Prevention

The mating area is designed in a trapezoidal structure, and perfectly prevents the mis-insertion despite the miniature size.

3. Equipped with Easy Lock Mechanism

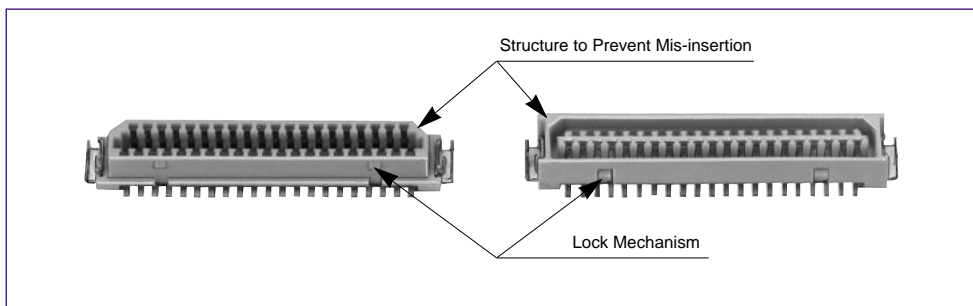
The easy lock mechanism assures the firm insertion and extraction properties as well as the insertion/extraction feeling touch.

4. Smooth Insertion and Extraction Feeling

The contact is constructed without the material fragile surface in the contact portion, and provides a smooth insertion and use feeling.

5. Setting Two Type Platings as Standard

Two type platings, tin plated and gold plated, are prepared, and either appropriate plating can be selected under cost and use conditions.



■ Applications

LCD (Liquid Crystal Display), Mobile phone, Note PC

Product Specifications

Rating	Current rating 0.5A	Operating Temperature Range -45 to +125°C (Note 1)	Storage Temperature Range -10 to +60°C (Note 2)
	Voltage rating 150V AC	Operating Humidity Range 40 to 80%	Storage Humidity Range 40 to 70%

Item	specification	Condition	
1. Insulation Resistance	500M ohms min.	100V DC	
2. Withstanding voltage	No flashover or insulation breakdown.	250V AC/1 minute	
3. Contact Resistance	50m ohms max.	100mA	
4. Vibration	No electrical discontinuity of 1μs or more	Frequency: 10 to 55 Hz, single amplitude of 0.75 mm, 2 hours in each of the 3 directions.	
5. Humidity (Steady state)	Contact resistance: 50m ohms max. Insulation resistance: 500M ohms min.	96 hours at temperature of 40°C and humidity of 90% to 95%	
6. Temperature Cycle	Contact resistance: 50m ohms max. Insulation resistance: 500M ohms min.	(-55°C: 30 minutes 5 to 35°C: 10 minutes 85°C: 30 minutes 5 to 35°C: 10 minutes) 5 cycles	
7. Durability (Mating/un-mating)	Contact resistance: 50m ohms max:	Tin plating: 30 cycles	Gold plating: 100 cycles
8. Resistance to Soldering heat	No deformation of components affecting performance.	Reflow: At the recommended temperature profile	
		Manual soldering: 300°C for 3 seconds	

Note 1: Includes temperature rise caused by current flow.

Note 2: The term "storage" refers to products stored for long period of time prior to mounting and use. Operating Temperature Range and Humidity range covers non conducting condition of installed connectors in storage, shipment or during transportation.

Material

Product	Part	Material	Finish	Remarks
Receptacle/Header	Insulator	Polyamide	Beige	UL94V-0
	Contact	Phosphor copper	Tin plated or gold plated	————
	Metal fitting	Brass	Tin plating	————

Note: The gold plated product contact area is plated with gold, and lead plated with tin-lead.

Ordering Information

Receptacle/Header

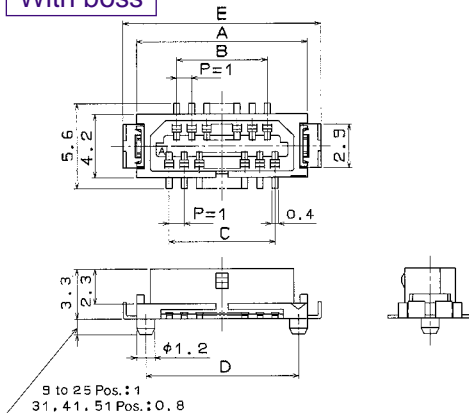
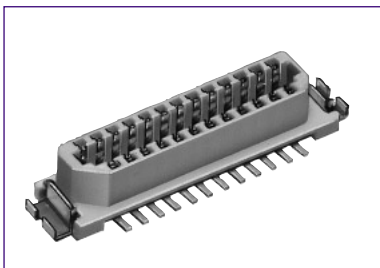
DF9
#
*
S
-
1
V
(**)

1
2
3
4
5
6
7

1 Series Name : DF9	<table border="1" style="margin-left: auto; margin-right: auto;"> <thead> <tr> <th></th> <th>Fitting</th> <th>Boss</th> </tr> </thead> <tbody> <tr> <td>Blank</td> <td style="text-align: center;">○</td> <td style="text-align: center;">○</td> </tr> <tr> <td>A</td> <td style="text-align: center;">×</td> <td style="text-align: center;">○</td> </tr> <tr> <td>B</td> <td style="text-align: center;">○</td> <td style="text-align: center;">×</td> </tr> <tr> <td>C</td> <td style="text-align: center;">×</td> <td style="text-align: center;">×</td> </tr> </tbody> </table>		Fitting	Boss	Blank	○	○	A	×	○	B	○	×	C	×	×
		Fitting	Boss													
Blank	○	○														
A	×	○														
B	○	×														
C	×	×														
2 Type	4 Connector Type S: Receptacle P: Header															
3 Number of Contacts 9 to 25,31,41,51	5 Contact Pitch : 1mm 6 Contact Type V: Straight SMT 7 Contact Surface Finish/Packaging Type (22): Tin plated, embossed tape packaging (59): Gold plated, embossed tape packaging															

*Refer to page A284 for the bottom entry type (DF9L).

Receptacle With metal fitting With boss



[Specific No.] — **, (**)
 (22) : Tin plated, embossed tape packaging
 (59) : Gold plated, embossed tape packaging

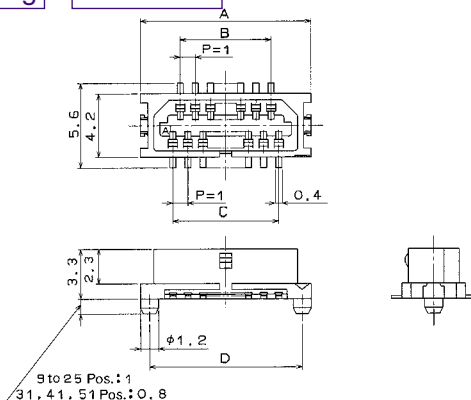
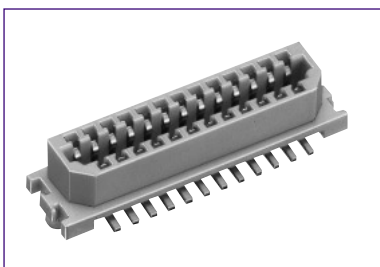
Unit: mm

Part Number	CL No.	Number of Contacts	A	B	C	D	E	Spec. (22)	Spec. (59)	Remarks
DF9- 9S-1V (**)	540-0054-0-**	9	8.3	3	4	7.1	10.1	○	○	With metal fitting With boss
DF9-11S-1V (**)	540-0055-2-**	11	9.3	4	5	8.1	11.1	○	○	
DF9-13S-1V (**)	540-0056-5-**	13	10.3	5	6	9.1	12.1	○	○	
DF9-15S-1V (**)	540-0057-8-**	15	11.3	6	7	10.1	13.1	○	○	
DF9-17S-1V (**)	540-0058-0-**	17	12.3	7	8	11.1	14.1	○	○	
DF9-19S-1V (**)	540-0059-3-**	19	13.3	8	9	12.1	15.1	○	○	With pick and place tape
DF9-21S-1V (**)	540-0060-2-**	21	14.3	9	10	13.1	16.1	○	○	
DF9-23S-1V (**)	540-0061-5-**	23	15.3	10	11	14.1	17.1	○	—	
DF9-25S-1V (**)	540-0062-8-**	25	16.3	11	12	15.1	18.1	○	○	
DF9-31S-1V (**)	540-0063-0-**	31	19.3	14	15	18.1	21.1	○	○	
DF9-41S-1V (**)	540-0213-1-**	41	24.3	19	20	23.1	26.1	○	○	
DF9-51S-1V (**)	540-0064-3-**	51	29.3	24	25	28.1	31.1	—	○	

Note 1 : Please order the embossed tape packaging product per reel. (1000 pcs. per reel)

Note 2 : — are not available. Regarding blank, please contact Hirose sales representative.

Receptacle Without metal fitting With boss



[Specific No.] — **, (**)
 (22): Tin plated, tube packaging
 (59): Gold plated, embossed tape packaging

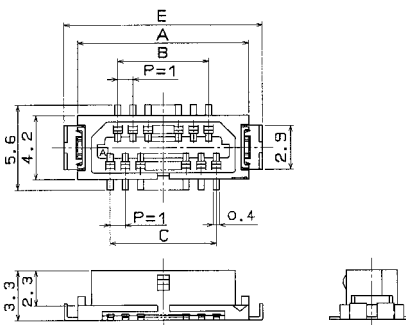
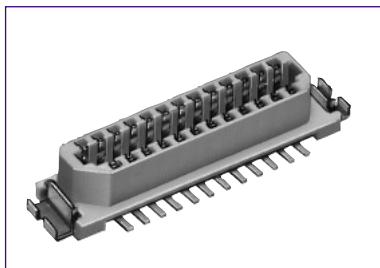
Unit: mm

Part Number	CL No.	Number of Contacts	A	B	C	D	E	Spec. (22)	Spec. (59)	Remarks
DF9A- 9S-1V (**)	540-0004-1-**	9	8.3	3	4	7.1	—	○	—	Without metal fitting With boss
DF9A-11S-1V (**)	540-0005-4-**	11	9.3	4	5	8.1	—	○	—	
DF9A-13S-1V (**)	540-0006-7-**	13	10.3	5	6	9.1	—	○	—	
DF9A-15S-1V (**)	540-0007-0-**	15	11.3	6	7	10.1	—	○	○	
DF9A-17S-1V (**)	540-0008-2-**	17	12.3	7	8	11.1	—	—	—	
DF9A-19S-1V (**)	540-0009-5-**	19	13.3	8	9	12.1	—	○	○	With pick and place tape
DF9A-21S-1V (**)	540-0010-4-**	21	14.3	9	10	13.1	—	○	○	
DF9A-23S-1V (**)	540-0011-7-**	23	15.3	10	11	14.1	—	—	—	
DF9A-25S-1V (**)	540-0012-0-**	25	16.3	11	12	15.1	—	○	○	
DF9A-31S-1V (**)	540-0013-2-**	31	19.3	14	15	18.1	—	○	○	
DF9A-41S-1V (**)	540-0222-2-**	41	24.3	19	20	23.1	—	○	○	
DF9A-51S-1V (**)	540-0014-5-**	51	29.3	24	25	28.1	—	—	○	

Note 1 : Please order the emboss packaging product per reel. (1000 pcs. per reel)

Note 2 : — are not available. Regarding blank, please contact Hirose sales representative.

Receptacle With metal fitting Without boss



[Specific No.] – **, (**)
 (22): Tin plated, tube packaging
 (59): Gold plated, embossed tape packaging

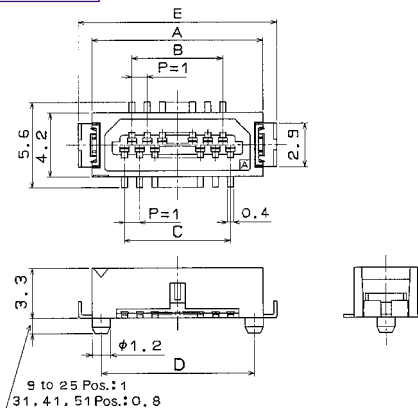
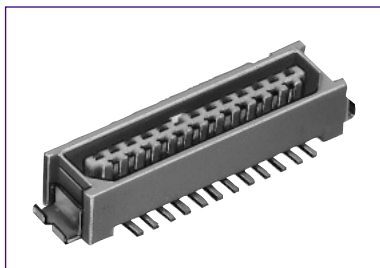
Unit: mm

Part Number	CL No.	Number of Contacts	A	B	C	D	E	Spec. (22)	Spec. (59)	Remarks
DF9B- 9S-1V (**)	540-0125-6-**	9	8.3	3	4	—	10.1	○	○	With metal fitting Without boss
DF9B-11S-1V (**)	540-0126-9-**	11	9.3	4	5	—	11.1	○	—	
DF9B-13S-1V (**)	540-0127-1-**	13	10.3	5	6	—	12.1	○	—	
DF9B-15S-1V (**)	540-0128-4-**	15	11.3	6	7	—	13.1	○	○	
DF9B-17S-1V (**)	540-0129-7-**	17	12.3	7	8	—	14.1	—	○	
DF9B-19S-1V (**)	540-0247-3-**	19	13.3	8	9	—	15.1	—	○	With pick and place tape
DF9B-21S-1V (**)	540-0131-9-**	21	14.3	9	10	—	16.1	○	—	
DF9B-23S-1V (**)	540-0132-1-**	23	15.3	10	11	—	17.1	○	—	
DF9B-25S-1V (**)	540-0133-4-**	25	16.3	11	12	—	18.1	○	—	
DF9B-31S-1V (**)	540-0143-8-**	31	19.3	14	15	—	21.1	○	○	
DF9B-41S-1V (**)	540-0216-0-**	41	24.3	19	20	—	26.1	○	○	
DF9B-51S-1V (**)	540-0145-3-**	51	29.3	24	25	—	31.1	—	○	

Note 1 : Please order the embossed tape packaging product per reel. (1000 pcs. per reel)

Note 2 : — are not available. Regarding blank, please contact Hirose sales representative.

Header With metal fitting With boss



[Specific No.] – **, (**)
 (22): Tin plated, tube packaging
 (59): Gold plated, embossed tape packaging

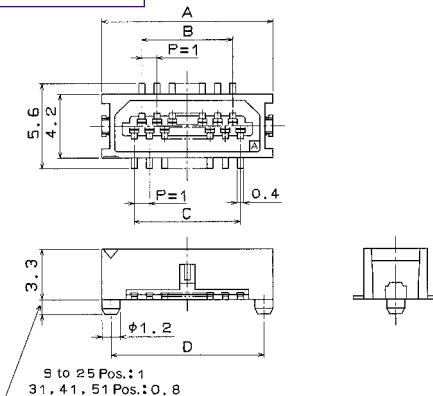
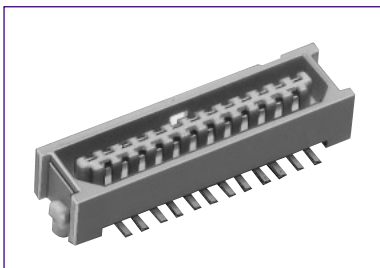
Unit: mm

Part Number	CL No.	Number of Contacts	A	B	C	D	E	Spec. (22)	Spec. (59)	Remarks
DF9-09P-1V (**)	540-0066-9-**	9	8.3	3	4	7.1	10.1	○	○	With metal fitting With boss
DF9-11P-1V (**)	540-0067-1-**	11	9.3	4	5	8.1	11.1	○	○	
DF9-13P-1V (**)	540-0068-4-**	13	10.3	5	6	9.1	12.1	○	○	
DF9-15P-1V (**)	540-0069-7-**	15	11.3	6	7	10.1	13.1	○	○	
DF9-17P-1V (**)	540-0070-6-**	17	12.3	7	8	11.1	14.1	○	○	
DF9-19P-1V (**)	540-0071-9-**	19	13.3	8	9	12.1	15.1	○	○	With pick and place tape
DF9-21P-1V (**)	540-0072-1-**	21	14.3	9	10	13.1	16.1	○	○	
DF9-23P-1V (**)	540-0073-4-**	23	15.3	10	11	14.1	17.1	—	—	
DF9-25P-1V (**)	540-0074-7-**	25	16.3	11	12	15.1	18.1	○	○	
DF9-31P-1V (**)	540-0075-0-**	31	19.3	14	15	18.1	21.1	○	○	
DF9-41P-1V (**)	540-0214-4-**	41	24.3	19	20	23.1	26.1	○	○	
DF9-51P-1V (**)	540-0088-1-**	51	29.3	24	25	28.1	31.1	—	○	

Note 1 : Please order the emboss packaging product per reel. (1000 pcs. per reel)

Note 2 : — are not available. Regarding blank, please contact Hirose sales representative.

Header Without metal fitting With boss



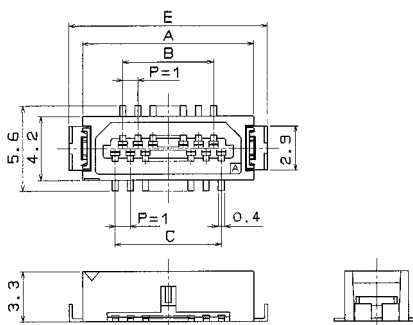
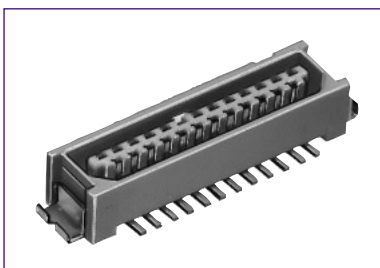
[Specific No.] - **, (**)
 (22) : Tin plated, embossed tape packaging
 (59) : Gold plated, embossed tape packaging

Unit: mm

Part Number	CL No.	Number of Contacts	A	B	C	D	E	Spec. (22)	Spec. (59)	Remarks
DF9A- 9P-1V (**)	540-0016-0-**-	9	8.3	3	4	7.1	-	○	-	Without metal fitting With boss
DF9A-11P-1V (**)	540-0017-3-**-	11	9.3	4	5	8.1	-	○	-	
DF9A-13P-1V (**)	540-0018-6-**-	13	10.3	5	6	9.1	-	○	○	
DF9A-15P-1V (**)	540-0019-9-**-	15	11.3	6	7	10.1	-	○	○	
DF9A-17P-1V (**)	540-0020-8-**-	17	12.3	7	8	11.1	-	-	○	
DF9A-19P-1V (**)	540-0021-0-**-	19	13.3	8	9	12.1	-	○	-	
DF9A-21P-1V (**)	540-0022-3-**-	21	14.3	9	10	13.1	-	○	○	
DF9A-23P-1V (**)	540-0023-6-**-	23	15.3	10	11	14.1	-	-	-	
DF9A-25P-1V (**)	540-0024-9-**-	25	16.3	11	12	15.1	-	○	○	
DF9A-31P-1V (**)	540-0025-1-**-	31	19.3	14	15	18.1	-	○	○	
DF9A-41P-1V (**)	540-0223-5-**-	41	24.3	19	20	23.1	-	○	-	
DF9A-51P-1V (**)	540-0026-4-**-	51	29.3	24	25	28.1	-	-	○	

Note 1 : Please order the emboss packaging product per reel. (1000 pcs. per reel)
 Note 2 : - are not available. Regarding blank, please contact Hirose sales representative.

Header With metal fitting Without boss



[Specific No.] - **, (**)
 (22) : Tin plated, embossed tape packaging
 (59) : Gold plated, embossed tape packaging

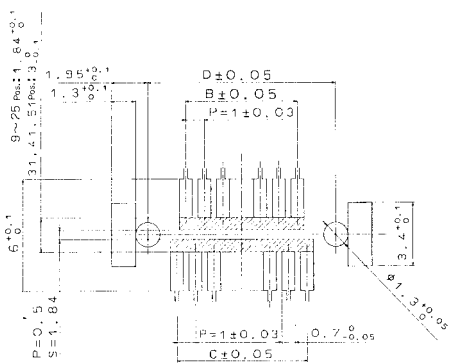
Unit: mm

Part Number	CL No.	Number of Contacts	A	B	C	D	E	Spec. (22)	Spec. (59)	Remarks
DF9B- 9P-1V (**)	540-0134-7-**-	9	8.3	3	4	-	10.1	○	○	With metal fitting Without boss
DF9B-11P-1V (**)	540-0135-0-**-	11	9.3	4	5	-	11.1	○	-	
DF9B-13P-1V (**)	540-0136-2-**-	13	10.3	5	6	-	12.1	○	-	
DF9B-15P-1V (**)	540-0137-5-**-	15	11.3	6	7	-	13.1	○	○	
DF9B-17P-1V (**)	540-0138-8-**-	17	12.3	7	8	-	14.1	-	○	
DF9B-19P-1V (**)	540-0248-6-**-	19	13.3	8	9	-	15.1	-	○	
DF9B-21P-1V (**)	540-0140-0-**-	21	14.3	9	10	-	16.1	○	-	
DF9B-23P-1V (**)	540-0141-2-**-	23	15.3	10	11	-	17.1	○	-	
DF9B-25P-1V (**)	540-0142-5-**-	25	16.3	11	12	-	18.1	○	-	
DF9B-31P-1V (**)	540-0144-0-**-	31	19.3	14	15	-	21.1	○	○	
DF9B-41P-1V (**)	540-0221-0-**-	41	24.3	19	20	-	26.1	○	○	
DF9B-51P-1V (**)	540-0146-6-**-	51	29.3	24	25	-	31.1	-	○	

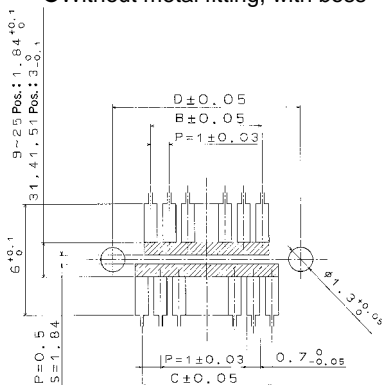
Note 1 : Please order the emboss packaging product per reel. (1000 pcs./reel)
 Note 2 : - are not available. Regarding blank, please contact Hirose sales representative.

◆ Recommended PCB mounting pattern

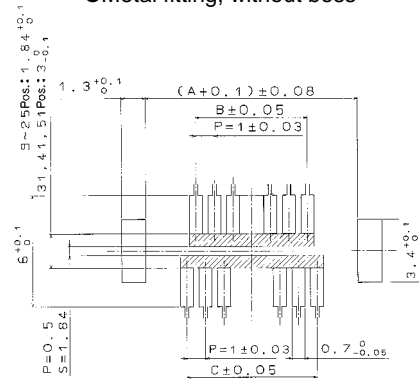
● With metal fitting, with boss



● Without metal fitting, with boss



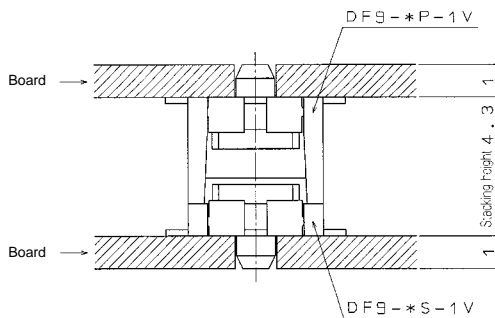
● Metal fitting, without boss



Note 1 : If the pattern is included in the shaded area and not treated with resist, it could touch the connector contact .

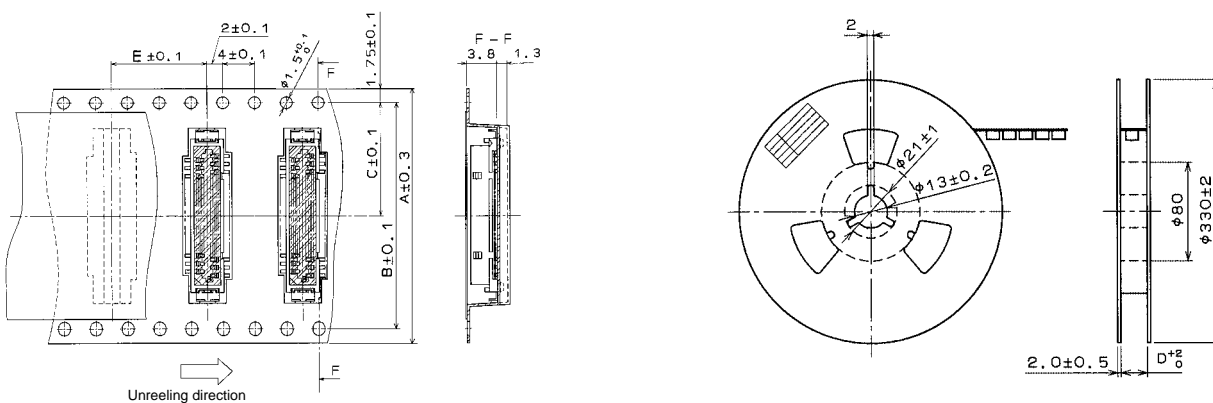
Note 2 : Please refer to each product size pattern for the universal size on the above patterns (A, B, C, D...).

◆ Application Pattern



Note 1 : The board to board size 4.3mm in the pattern does not include the soldering paste thickness.

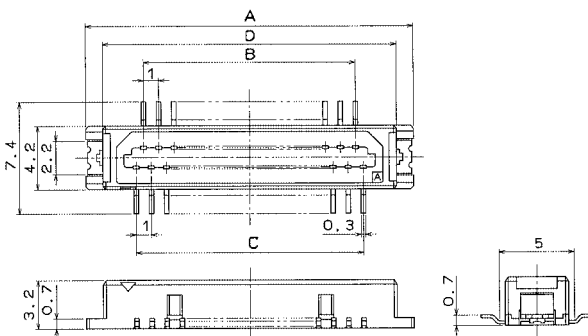
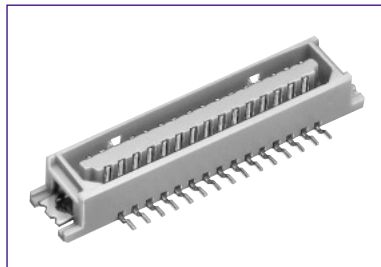
◆ Embossed Carrier Tape Dimensions



Unit:mm

Product Type	Size	Number of Contacts	A	B	C	D	E
DF9-*S/P-1V		9 to 25	24	—	11.5	24.4	12
		31	32	28.4	14.2	32.4	12
		41, 51	44	40.4	20.2	44.4	12
DF9A-*S/P-1V		9 to 13	16	—	7.5	16.4	8
		15 to 25	24	—	11.5	24.4	12
		31	32	28.4	14.2	32.4	12
DF9B-*S/P-1V		9 to 25	24	—	11.5	24.4	12
		31	32	28.4	14.2	32.4	12
		41, 51	44	40.4	20.2	44.4	12

Bottom Entry Header



[Specific No.] - **, (**)
 (21): Gold plated embossed tape packaging

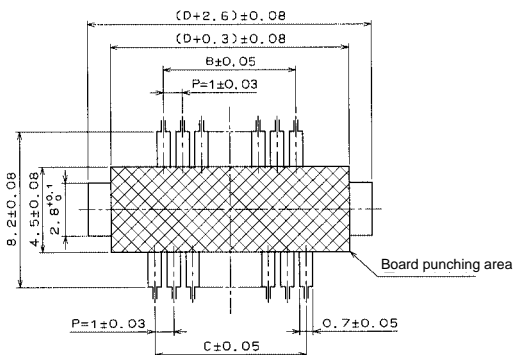
Part Number	CL No.	Number of Contacts	A	B	C	D	Spec. (21)	Remarks
DF9L-31P-1V (**)	540-0215-7-**	31	21.64	14	15	19.4	○	With metal fitting

Note 1 : Please order the tube packaging product by multiplying the packaging quantity (pcs.).

Note 2 : Please order the embossed tape packaging product per reel. (1000 pcs. per reel)

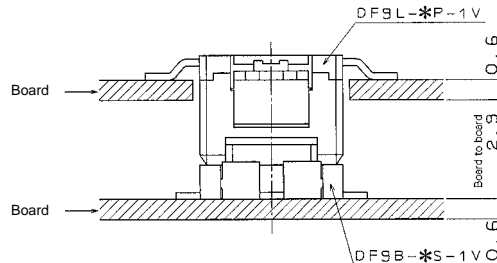
Note 3 : The vacuum area on the embossed tape product utilizes the connector case surface. However, it is necessary to check the previous vacuum, because the surface isn't always plain.

Recommended PCB mounting pattern



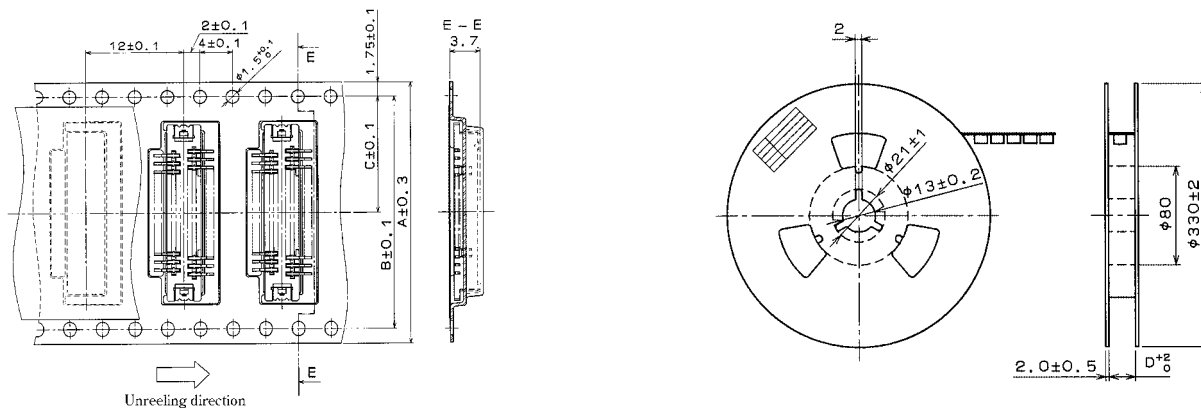
Note : The shaded area indicates the through-hole area.

Application Pattern



Note : The 2.9mm board to board size does not include the soldering paste thickness.

Embossed Carrier Tape Dimensions



Unit: mm

Product Type	Size	Number of Contacts	A	B	C	D
DF9L-31P-1V		31	32	28.4	14.2	32.4

◆ Precautions for Use

<p>1. Recommended Temperature Profile (SMT)</p>	<p>Temperature</p> <p>IR reflow condition</p> <p>Preheating area 150°C for 100 to 120 seconds</p> <p>Soldering area 235±5°C for 10 seconds max.</p> <p>220°C Min for 10 to 30 second</p> <p>Maximum 240°C</p> <p>220°C</p> <p>0 Sec 50 Sec 100 Sec 150 Sec 200 Sec Time</p> <p>Note 1 : Maximum twice action is allowed under the same condition. However, the interval between the first process and second actions must be maintained at the room temperature.</p> <p>Note 2 : The temperature indicates the board surface temperature in the connector lead area.</p>
<p>2. Recommended Manual Soldering Condition (SMT)</p>	<p>Soldering iron temperature: 290±10°C, Soldering time: Within 2 seconds</p>
<p>3. Recommended Screen Thickness (SMT)</p>	<p>0.15mm</p>
<p>4. Board Warp(SMT)</p>	<p>Maximum 0.03mm in the connector center area, based on both connector edges.</p>
<p>5. Cleaning Condition</p>	<p>Refer to the "Nylon Connector Use Hand book".</p>
<p>6. Cautions</p>	<ul style="list-style-type: none"> ■ Avoid retaining the board with the connector only, and fix the board by any other means than the connector. ■ Where the board is not mounted, the insertion or extraction will cause damage or deformation in contacts. ■ Excessive scoop insertion or extraction may result in damage. ■ In the manual soldering process, don't carry out flux coating which will cause a flux blister on the connector. ■ The color phase of this product may be slightly different from that of the forming product according to the manufacturing lot. However, the difference doesn't affect the performance.

HRS

[Connector Selector](#) |
 [Product Category](#) |
 [Application](#) |
 [Alphabetical Listing](#) |
 [Part Number](#) |
 [N](#)

Welcome to Hirose Connectors |
 [Catalog](#) |
 [Site Map](#) |
 [Back](#)

- 1.All information, such as connector specifications, dimensions, etc, on the web site are reference only.
 Connector information can be changed without notice.
 Please request the latest specification and DWG from HRS before you design in our products.
 Please confirm the RoHS status using the RoHS Compliant Part Number Search on this web site.
- 2.Please check the availability of Non-RoHS compliant products before ordering.
 Non-RoHS compliant products may be discontinued.

PCB-Board-to-Board Connectors DF9 Series Product List

[Series Description](#) |
 [Ordering Information](#) |
 [3D Image](#) |
 [PDF Catalog](#) **296KB**

*The data can be sorted by clicking on each name of item.

Drawing Request	HRS No	Product No	Contact Mating Area Plating,	No of Positions	Current Rating (Amps)	Terminal Pitch (mm)	Stack Height (mm)	Operating Temperature Range (degrees C)	Selling Unit	S
GO	540-0067-1 32	DF9-11P-1V (32)	Tin	11	0.5	1	4.30	-45 to 125	1000pcs./ reel	H M L S p C
GO	540-0067-1 69	DF9-11P-1V (69)	Gold	11	0.5	1	4.30	-45 to 125	1000pcs./ reel	H M L S p C
GO	540-0055-2 32	DF9-11S-1V (32)	Tin	11	0.5	1	4.30	-45 to 125	1000pcs./ reel	S M L S p C
GO	540-0055-2 69	DF9-11S-1V (69)	Gold	11	0.5	1	4.30	-45 to 125	1000pcs./ reel	S M L S

Connectors | Hirose Electric | DF9Series Product List

GO	540-0068-4 32	DF9-13P-1V (32)	Tin	13	0.5	1	4.30	-45 to 125	1000pcs./ reel	H M L S pa C
GO	540-0068-4 69	DF9-13P-1V (69)	Gold	13	0.5	1	4.30	-45 to 125	1000pcs./ reel	H M L S pa C
GO	540-0056-5 32	DF9-13S-1V (32)	Tin	13	0.5	1	4.30	-45 to 125	1000pcs./ reel	S M L S pa C
GO	540-0056-5 69	DF9-13S-1V (69)	Gold	13	0.5	1	4.30	-45 to 125	1000pcs./ reel	S M L S pa C
GO	540-0069-7 32	DF9-15P-1V (32)	Tin	15	0.5	1	4.30	-45 to 125	1000pcs./ reel	H M L S pa C
GO	540-0069-7 69	DF9-15P-1V (69)	Gold	15	0.5	1	4.30	-45 to 125	1000pcs./ reel	H M L S pa C
GO	540-0057-8 32	DF9-15S-1V (32)	Tin	15	0.5	1	4.30	-45 to 125	1000pcs./ reel	S M L S pa C

Connectors | Hirose Electric | DF9Series Product List

GO	540-0057-8 69	DF9-15S-1V (69)	Gold	15	0.5	1	4.30	-45 to 125	1000pcs./ reel	S M L S p C
GO	540-0070-6 32	DF9-17P-1V (32)	Tin	17	0.5	1	4.30	-45 to 125	1000pcs./ reel	H M L S p C
GO	540-0070-6 69	DF9-17P-1V (69)	Gold	17	0.5	1	4.30	-45 to 125	1000pcs./ reel	H M L S p C
GO	540-0058-0 32	DF9-17S-1V (32)	Tin	17	0.5	1	4.30	-45 to 125	1000pcs./ reel	S M L S p C
GO	540-0058-0 69	DF9-17S-1V (69)	Gold	17	0.5	1	4.30	-45 to 125	1000pcs./ reel	S M L S p C
GO	540-0071-9 32	DF9-19P-1V (32)	Tin	19	0.5	1	4.30	-45 to 125	1000pcs./ reel	H M L S p C
GO	540-0071-9 69	DF9-19P-1V (69)	Gold	19	0.5	1	4.30	-45 to 125	1000pcs./ reel	H M L S p C
GO	540-0059-3 32	DF9-19S-1V	Tin	19	0.5	1	4.30	-45 to 125	1000pcs./ reel	S M

Connectors | Hirose Electric | DF9Series Product List

		(32)									
GO	540-0059-3 69	DF9-19S-1V (69)	Gold	19	0.5	1	4.30	-45 to 125	1000pcs./ reel		L S pa C
GO	540-0072-1 32	DF9-21P-1V (32)	Tin	21	0.5	1	4.30	-45 to 125	1000pcs./ reel		S M L S pa C
GO	540-0072-1 69	DF9-21P-1V (69)	Gold	21	0.5	1	4.30	-45 to 125	1000pcs./ reel		H M L S pa C
GO	540-0060-2 32	DF9-21S-1V (32)	Tin	21	0.5	1	4.30	-45 to 125	1000pcs./ reel		H M L S pa C
GO	540-0060-2 69	DF9-21S-1V (69)	Gold	21	0.5	1	4.30	-45 to 125	1000pcs./ reel		S M L S pa C
GO	540-0073-4 32	DF9-23P-1V (32)	Tin	23	0.5	1	4.30	-45 to 125	1000pcs./ reel		H M L S pa C
GO	540-0073-4 69	DF9-23P-1V (69)	Gold	23	0.5	1	4.30	-45 to 125	1000pcs./ reel		H M L S

Connectors | Hirose Electric | DF9Series Product List

GO	540-0061-5 32	DF9-23S-1V (32)	Tin	23	0.5	1	4.30	-45 to 125	1000pcs./ reel	S M L S pa C
GO	540-0061-5 69	DF9-23S-1V (69)	Gold	23	0.5	1	4.30	-45 to 125	1000pcs./ reel	S M L S pa C
GO	540-0074-7 32	DF9-25P-1V (32)	Tin	25	0.5	1	4.30	-45 to 125	1000pcs./ reel	H M L S pa C
GO	540-0074-7 69	DF9-25P-1V (69)	Gold	25	0.5	1	4.30	-45 to 125	1000pcs./ reel	H M L S pa C
GO	540-0062-8 32	DF9-25S-1V (32)	Tin	25	0.5	1	4.30	-45 to 125	1000pcs./ reel	S M L S pa C
GO	540-0062-8 69	DF9-25S-1V (69)	Gold	25	0.5	1	4.30	-45 to 125	1000pcs./ reel	S M L S pa C
GO	540-0075-0 31	DF9-31P-1V (31)	Tin	31	0.5	1	4.30	-45 to 125	1000pcs./ reel	H M L S a m

Connectors | Hirose Electric | DF9Series Product List

GO	540-0075-0 32	DF9-31P-1V (32)	Tin	31	0.5	1	4.30	-45 to 125	1000pcs./ reel	H M L S p C
GO	540-0075-0 69	DF9-31P-1V (69)	Gold	31	0.5	1	4.30	-45 to 125	1000pcs./ reel	H M L S p C
GO	540-0063-0 32	DF9-31S-1V (32)	Tin	31	0.5	1	2.90/4.30	-45 to 125	1000pcs./ reel	S M L S p C
GO	540-0063-0 69	DF9-31S-1V (69)	Gold	31	0.5	1	2.90/4.30	-45 to 125	1000pcs./ reel	S M L S p C
GO	540-0214-4 32	DF9-41P-1V (32)	Tin	41	0.5	1	4.30	-45 to 125	1000pcs./ reel	H M L S p C
GO	540-0214-4 69	DF9-41P-1V (69)	Gold	41	0.5	1	4.30	-45 to 125	1000pcs./ reel	H M L S p C
GO	540-0213-1 32	DF9-41S-1V (32)	Tin	41	0.5	1	4.30	-45 to 125	1000pcs./ reel	S M L S p C

Connectors | Hirose Electric | DF9Series Product List

GO	540-0213-1 69	DF9-41S-1V (69)	Gold	41	0.5	1	4.30	-45 to 125	1000pcs./ reel	S M L S p C
GO	540-0088-1 69	DF9-51P-1V (69)	Gold	51	0.5	1	4.30	-45 to 125	1000pcs./ reel	H M L S p C
GO	540-0064-3 69	DF9-51S-1V (69)	Gold	51	0.5	1	4.30	-45 to 125	1000pcs./ reel	S M L S p C
GO	540-0066-9 32	DF9-9P-1V(32)	Tin	9	0.5	1	4.30	-45 to 125	1000pcs./ reel	H M L S p C
GO	540-0066-9 69	DF9-9P-1V(69)	Gold	9	0.5	1	4.30	-45 to 125	1000pcs./ reel	H M L S p C
GO	540-0054-0 32	DF9-9S-1V(32)	Tin	9	0.5	1	4.30	-45 to 125	1000pcs./ reel	S M L S p C
GO	540-0054-0 69	DF9-9S-1V(69)	Gold	9	0.5	1	4.30	-45 to 125	1000pcs./ reel	S M L S p C
GO	540-0017-3 22	DF9A-11P-1V	Tin	11	0.5	1	4.30	-45 to 125	1000pcs./ reel	H M

Connectors | Hirose Electric | DF9Series Product List

		(22)									
GO	540-0017-3 69	DF9A-11P-1V (69)	Gold	11	0.5	1	4.30	-45 to 125	1000pcs./ reel	H M L S pa C	
GO	540-0005-4 22	DF9A-11S-1V (22)	Tin	11	0.5	1	4.30	-45 to 125	1000pcs./ reel	S M L S pa C	
GO	540-0018-6 20	DF9A-13P-1V (20)	Tin	13	0.5	1	4.30	-45 to 125	47pcs./1magazine	H M L S pa C	
GO	540-0018-6 22	DF9A-13P-1V (22)	Tin	13	0.5	1	4.30	-45 to 125	1000pcs./ reel	H M L S pa C	
GO	540-0018-6 69	DF9A-13P-1V (69)	Gold	13	0.5	1	4.30	-45 to 125	1000pcs./ reel	H M L S pa C	
GO	540-0006-7 20	DF9A-13S-1V (20)	Tin	13	0.5	1	4.30	-45 to 125	47pcs./1magazine	S M L S pa C	
GO	540-0006-7 22	DF9A-13S-1V (22)	Tin	13	0.5	1	4.30	-45 to 125	1000pcs./ reel	S M L S pa C	

Connectors | Hirose Electric | DF9Series Product List

GO	540-0006-7 69	DF9A-13S-1V (69)	Gold	13	0.5	1	4.30	-45 to 125	1000pcs./ reel	S M L S p C
GO	540-0019-9 20	DF9A-15P-1V (20)	Tin	15	0.5	1	4.30	-45 to 125	43pcs./1magazine	H M L S p C
GO	540-0019-9 22	DF9A-15P-1V (22)	Tin	15	0.5	1	4.30	-45 to 125	1000pcs./ reel	H M L S p C
GO	540-0019-9 69	DF9A-15P-1V (69)	Gold	15	0.5	1	4.30	-45 to 125	1000pcs./ reel	H M L S p C
GO	540-0007-0 20	DF9A-15S-1V (20)	Tin	15	0.5	1	4.30	-45 to 125	43pcs./1magazine	S M L S p C
GO	540-0007-0 21	DF9A-15S-1V (21)	Tin	15	0.5	1	4.30	-45 to 125	1000pcs./ reel	S M L S p C
GO	540-0007-0 22	DF9A-15S-1V (22)	Tin	15	0.5	1	4.30	-45 to 125	1000pcs./ reel	S M L S p C

Connectors | Hirose Electric | DF9Series Product List

GO	540-0007-0 69	DF9A-15S-1V (69)	Gold	15	0.5	1	4.30	-45 to 125	1000pcs./ reel	S M L S p C
GO	540-0020-8 69	DF9A-17P-1V (69)	Gold	17	0.5	1	4.30	-45 to 125	1000pcs./ reel	H M L S p C
GO	540-0021-0 20	DF9A-19P-1V (20)	Tin	19	0.5	1	4.30	-45 to 125	36pcs./1magazine	H M L S p C
GO	540-0021-0 22	DF9A-19P-1V (22)	Tin	19	0.5	1	4.30	-45 to 125	1000pcs./ reel	H M L S p C
GO	540-0009-5 20	DF9A-19S-1V (20)	Tin	19	0.5	1	4.30	-45 to 125	36pcs./1magazine	S M L S p C
GO	540-0009-5 22	DF9A-19S-1V (22)	Tin	19	0.5	1	4.30	-45 to 125	1000pcs./ reel	S M L S p C
GO	540-0022-3 20	DF9A-21P-1V (20)	Tin	21	0.5	1	4.30	-45 to 125	34pcs./1magazine	H M L S p C
GO	540-0022-3 22	DF9A-21P-1V	Tin	21	0.5	1	4.30	-45 to 125	1000pcs./ reel	H M

Connectors | Hirose Electric | DF9Series Product List

		(22)									
GO	540-0022-3 69	DF9A-21P-1V (69)	Gold	21	0.5	1	4.30	-45 to 125	1000pcs./ reel		L S pa C
GO	540-0010-4 20	DF9A-21S-1V (20)	Tin	21	0.5	1	4.30	-45 to 125	34pcs./1magazine		H M L S pa C
GO	540-0010-4 22	DF9A-21S-1V (22)	Tin	21	0.5	1	4.30	-45 to 125	1000pcs./ reel		S M L S pa C
GO	540-0010-4 69	DF9A-21S-1V (69)	Gold	21	0.5	1	4.30	-45 to 125	1000pcs./ reel		S M L S pa C
GO	540-0024-9 22	DF9A-25P-1V (22)	Tin	25	0.5	1	4.30	-45 to 125	1000pcs./ reel		H M L S pa C
GO	540-0024-9 52	DF9A-25P-1V (52)	Gold	25	0.5	1	4.30	-45 to 125	1000pcs./ reel		H M L S pa C
GO	540-0024-9 69	DF9A-25P-1V (69)	Gold	25	0.5	1	4.30	-45 to 125	1000pcs./ reel		H M L S

Connectors | Hirose Electric | DF9Series Product List

GO	540-0012-0 20	DF9A-25S-1V (20)	Tin	25	0.5	1	4.30	-45 to 125	30pcs./1magazine	S M L S pa C
GO	540-0012-0 22	DF9A-25S-1V (22)	Tin	25	0.5	1	4.30	-45 to 125	1000pcs./ reel	S M L S pa C
GO	540-0012-0 69	DF9A-25S-1V (69)	Gold	25	0.5	1	4.30	-45 to 125	1000pcs./ reel	S M L S pa C
GO	540-0025-1 20	DF9A-31P-1V (20)	Tin	31	0.5	1	4.30	-45 to 125	24pcs./1magazine	H M L S pa C
GO	540-0025-1 22	DF9A-31P-1V (22)	Tin	31	0.5	1	4.30	-45 to 125	1000pcs./ reel	H M L S pa C
GO	540-0025-1 69	DF9A-31P-1V (69)	Gold	31	0.5	1	4.30	-45 to 125	1000pcs./ reel	H M L S pa C
GO	540-0013-2 20	DF9A-31S-1V (20)	Tin	31	0.5	1	2.90/4.30	-45 to 125	24pcs./1magazine	S M L S
GO	540-0013-2 22	DF9A-	Tin	31	0.5	1	2.90/4.30	-45 to 125	1000pcs./ reel	S

Connectors | Hirose Electric | DF9Series Product List

		31S-1V (22)									M L S
GO	540-0013-2 69	DF9A-31S-1V (69)	Gold	31	0.5	1	2.90/4.30	-45 to 125	1000pcs./ reel		S M L S pa C
GO	540-0223-5 20	DF9A-41P-1V (20)	Tin	41	0.5	1	4.30	-45 to 125	20pcs./1magazine		H M L S pa C
GO	540-0223-5 22	DF9A-41P-1V (22)	Tin	41	0.5	1	4.30	-45 to 125	1000pcs./ reel		H M L S pa C
GO	540-0222-2 20	DF9A-41S-1V (20)	Tin	41	0.5	1	4.30	-45 to 125	20pcs./1magazine		S M L S
GO	540-0222-2 22	DF9A-41S-1V (22)	Tin	41	0.5	1	4.30	-45 to 125	1000pcs./ reel		S M L S
GO	540-0222-2 69	DF9A-41S-1V (69)	Gold	41	0.5	1	4.30	-45 to 125	1000pcs./ reel		S M L S pa C
GO	540-0026-4 69	DF9A-51P-1V (69)	Gold	51	0.5	1	4.30	-45 to 125	1000pcs./ reel		H M L S pa C
GO	540-0014-5 69	DF9A-51S-1V	Gold	51	0.5	1	4.30	-45 to 125	1000pcs./ reel		S M

Connectors | Hirose Electric | DF9Series Product List

		(69)									
GO	540-0016-0 20	DF9A-9P-1V (20)	Tin	9	0.5	1	4.30	-45 to 125	59pcs./1magazine	H M L S pa C	
GO	540-0016-0 22	DF9A-9P-1V (22)	Tin	9	0.5	1	4.30	-45 to 125	1000pcs./ reel	H M L S pa C	
GO	540-0004-1 20	DF9A-9S-1V (20)	Tin	9	0.5	1	4.30	-45 to 125	59pcs./1magazine	S M L S pa C	
GO	540-0004-1 22	DF9A-9S-1V (22)	Tin	9	0.5	1	4.30	-45 to 125	1000pcs./ reel	S M L S pa C	
GO	540-0135-0 32	DF9B-11P-1V (32)	Tin	11	0.5	1	4.30	-45 to 125	1000pcs./ reel	H M L S pa C	
GO	540-0126-9 32	DF9B-11S-1V (32)	Tin	11	0.5	1	4.30	-45 to 125	1000pcs./ reel	S M L S pa C	
GO	540-0136-2 32	DF9B-13P-1V (32)	Tin	13	0.5	1	4.30	-45 to 125	1000pcs./ reel	H M L S	

Connectors | Hirose Electric | DF9Series Product List

GO	540-0127-1 32	DF9B-13S-1V (32)	Tin	13	0.5	1	4.30	-45 to 125	1000pcs./ reel	S M L S pa C
GO	540-0127-1 69	DF9B-13S-1V (69)	Gold	13	0.5	1	4.30	-45 to 125	1000pcs./ reel	S M L S pa C
GO	540-0137-5 32	DF9B-15P-1V (32)	Tin	15	0.5	1	4.30	-45 to 125	1000pcs./ reel	H M L S pa C
GO	540-0137-5 69	DF9B-15P-1V (69)	Gold	15	0.5	1	4.30	-45 to 125	1000pcs./ reel	H M L S pa C
GO	540-0128-4 32	DF9B-15S-1V (32)	Tin	15	0.5	1	4.30	-45 to 125	1000pcs./ reel	S M L S pa C
GO	540-0128-4 69	DF9B-15S-1V (69)	Gold	15	0.5	1	4.30	-45 to 125	1000pcs./ reel	S M L S pa C
GO	540-0138-8 69	DF9B-17P-1V (69)	Gold	17	0.5	1	4.30	-45 to 125	1000pcs./ reel	H M L S pa C

Connectors | Hirose Electric | DF9Series Product List

GO	540-0129-7 69	DF9B-17S-1V (69)	Gold	17	0.5	1	4.30	-45 to 125	1000pcs./ reel	S M L S p C
GO	540-0248-6 69	DF9B-19P-1V (69)	Gold	19	0.5	1	4.30	-45 to 125	1000pcs./ reel	H M L S p C
GO	540-0247-3 69	DF9B-19S-1V (69)	Gold	19	0.5	1	4.30	-45 to 125	1000pcs./ reel	S M L S p C
GO	540-0140-0 32	DF9B-21P-1V (32)	Tin	21	0.5	1	4.30	-45 to 125	1000pcs./ reel	H M L S p C
GO	540-0131-9 32	DF9B-21S-1V (32)	Tin	21	0.5	1	4.30	-45 to 125	1000pcs./ reel	S M L S p C
GO	540-0141-2 32	DF9B-23P-1V (32)	Tin	23	0.5	1	4.30	-45 to 125	1000pcs./ reel	H M L S p C
GO	540-0132-1 32	DF9B-23S-1V (32)	Tin	23	0.5	1	4.30	-45 to 125	1000pcs./ reel	S M L S p C
GO	540-0142-5 32	DF9B-25P-1V	Tin	25	0.5	1	4.30	-45 to 125	1000pcs./ reel	H M

Connectors | Hirose Electric | DF9Series Product List

		(32)									
GO	540-0142-5 68	DF9B-25P-1V (68)	Gold	25	0.5	1	4.30	-45 to 125	1000pcs./ reel	H M L S pa C	
GO	540-0133-4 32	DF9B-25S-1V (32)	Tin	25	0.5	1	4.30	-45 to 125	1000pcs./ reel	S M L S pa C	
GO	540-0133-4 68	DF9B-25S-1V (68)	Gold	25	0.5	1	4.30	-45 to 125	1000pcs./ reel	S M L S pa C	
GO	540-0144-0 31	DF9B-31P-1V (31)	Tin	31	0.5	1	4.30	-45 to 125	1000pcs./ reel	H M L S au m pa C	
GO	540-0144-0 32	DF9B-31P-1V (32)	Tin	31	0.5	1	4.30	-45 to 125	1000pcs./ reel	H M L S pa C	
GO	540-0144-0 69	DF9B-31P-1V (69)	Gold	31	0.5	1	4.30	-45 to 125	1000pcs./ reel	H M L S pa C	
GO	540-0143-8 32	DF9B-31S-1V	Tin	31	0.5	1	2.90/4.30	-45 to 125	1000pcs./ reel	S M	

Connectors | Hirose Electric | DF9Series Product List

		(32)									
GO	540-0143-8 68	DF9B-31S-1V (68)	Gold	31	0.5	1	2.90/4.30	-45 to 125	1000pcs./ reel		
GO	540-0143-8 69	DF9B-31S-1V (69)	Gold	31	0.5	1	2.90/4.30	-45 to 125	1000pcs./ reel		
GO	540-0221-0 32	DF9B-41P-1V (32)	Tin	41	0.5	1	4.30	-45 to 125	1000pcs./ reel		
GO	540-0221-0 69	DF9B-41P-1V (69)	Gold	41	0.5	1	4.30	-45 to 125	1000pcs./ reel		
GO	540-0216-0 32	DF9B-41S-1V (32)	Tin	41	0.5	1	4.30	-45 to 125	1000pcs./ reel		
GO	540-0216-0 69	DF9B-41S-1V (69)	Gold	41	0.5	1	4.30	-45 to 125	1000pcs./ reel		
GO	540-0146-6 69	DF9B-51P-1V (69)	Gold	51	0.5	1	4.30	-45 to 125	1000pcs./ reel		

Connectors | Hirose Electric | DF9Series Product List

GO	540-0145-3 69	DF9B-51S-1V (69)	Gold	51	0.5	1	4.30	-45 to 125	1000pcs./ reel	pa C
GO	540-0134-7 32	DF9B-9P-1V (32)	Tin	9	0.5	1	4.30	-45 to 125	1000pcs./ reel	H M L S pa C
GO	540-0134-7 69	DF9B-9P-1V (69)	Gold	9	0.5	1	4.30	-45 to 125	1000pcs./ reel	H M L S pa C
GO	540-0125-6 32	DF9B-9S-1V (32)	Tin	9	0.5	1	4.30	-45 to 125	1000pcs./ reel	S M L S pa C
GO	540-0125-6 69	DF9B-9S-1V (69)	Gold	9	0.5	1	4.30	-45 to 125	1000pcs./ reel	S M L S pa C
GO	540-0210-3 32	DF9BA-15P-1V (32)	Tin	15	0.5	1	4.30	-45 to 125	1000pcs./ reel	H M L S pa C
GO	540-0211-6 32	DF9BA-21P-1V (32)	Tin	21	0.5	1	4.30	-45 to 125	1000pcs./ reel	H M L S pa C

Connectors | Hirose Electric | DF9Series Product List

GO	540-0212-9 32	DF9BA-25P-1V (32)	Tin	25	0.5	1	4.30	-45 to 125	1000pcs./ reel	H M L S p C
GO	540-0209-4 32	DF9BA-31P-1V (32)	Tin	31	0.5	1	4.30	-45 to 125	1000pcs./ reel	H M L S p C
GO	540-0209-4 69	DF9BA-31P-1V (69)	Gold	31	0.5	1	4.30	-45 to 125	1000pcs./ reel	H M L S p C
GO	540-0220-7 32	DF9BA-41P-1V (32)	Tin	41	0.5	1	4.30	-45 to 125	1000pcs./ reel	H M L S p C
GO	540-0238-2 20	DF9C-31P-1V (20)	Tin	31	0.5	1	4.30	-45 to 125	24pcs./1magazine	H M h b p C
GO	540-0238-2 22	DF9C-31P-1V (22)	Tin	31	0.5	1	4.30	-45 to 125	1000pcs./ reel	H M h b p C
GO	540-0237-0 20	DF9C-31S-1V (20)	Tin	31	0.5	1	4.30	-45 to 125	24pcs./1magazine	S S
GO	540-0237-0 22	DF9C-31S-1V (22)	Tin	31	0.5	1	4.30	-45 to 125	1000pcs./ reel	S
GO	540-0225-0 20	DF9C-	Tin	41	0.5	1	4.30	-45 to 125	20pcs./1magazine	H

Connectors | Hirose Electric | DF9Series Product List

		41P-1V (20)									M ho bo pa
GO	540-0225-0 22	DF9C-41P-1V (22)	Tin	41	0.5	1	4.30	-45 to 125	1000pcs./ reel	H M ho bo pa	
GO	540-0224-8 20	DF9C-41S-1V (20)	Tin	41	0.5	1	4.30	-45 to 125	20pcs./1magazine	S S	
GO	540-0224-8 22	DF9C-41S-1V (22)	Tin	41	0.5	1	4.30	-45 to 125	1000pcs./ reel	S	
GO	540-0246-0 69	DF9C-51S-1V (69)	Gold	51	0.5	1	4.30	-45 to 125	1000pcs./ reel	S M ho bo pa C	
GO	540-0215-7 31	DF9L-31P-1V (31)	Tin	31	0.5	1	2.90/4.30	-45 to 125	1000pcs./ reel	H S pa C	
GO	540-0226-3 32	DF9M-31P-1V (32)	Tin	31	0.5	1	4.30	-45 to 125	1000pcs./ reel	H M L S pa C	
GO	540-0231-3 05	DF9M-31S-1R (05)		31	0.5	1		-45 to 125	100pcs./ pack	H	
GO	540-0232-6 00	DF9M-31S-1R-PA		31		1		-45 to 125	100pcs./ pack	A pr	
GO	540-0233-9 00	DF9M-31S-1R-PB		31				-45 to 125	100pcs./ pack	A pr	
GO	540-0219-8 32	DF9M-31S-1V	Tin	31	0.5	1	4.30 4.50	-45 to 125	1000pcs./ reel	S M	

Connectors | Hirose Electric | DF9Series Product List

		(32)									
GO	540-0229-1 32	DF9M-41P-1V (32)	Tin	41	0.5	1	4.30	-45 to 125	1000pcs./ reel	H M L S pa C	
GO	540-0234-1 05	DF9M-41S-1R (05)		41	0.5	1		-45 to 125	100pcs./ pack	H	
GO	540-0235-4 00	DF9M-41S-1R-PA		41		1		-45 to 125	100pcs./ pack	A pr	
GO	540-0236-7 00	DF9M-41S-1R-PB		41				-45 to 125	100pcs./ pack	A pr	
GO	540-0228-9 32	DF9M-41S-1V (32)	Tin	41	0.5	1	4.30 4.50	-45 to 125	1000pcs./ reel	S M L S pa C	
GO	540-0218-5 32	DF9MA-31P-1V (32)	Tin	31	0.5	1	4.50	-45 to 125	1000pcs./ reel	H M L S pa C	
GO	540-0218-5 69	DF9MA-31P-1V (69)	Gold	31	0.5	1	4.50	-45 to 125	1000pcs./ reel	H M L S pa C	
GO	540-0230-0 32	DF9MA-41P-1V (32)	Tin	41	0.5	1	4.50	-45 to 125	1000pcs./ reel	H M L S pa C	

Connectors | Hirose Electric | DF9Series Product List

GO	540-0242-0 32	DF9MB-41P-1V (32)	Tin	41	0.5	1	4.30	-45 to 125	1000pcs./ reel	H M L S p C
--------------------	---------------	-------------------	-----	----	-----	---	------	------------	----------------	----------------------------

- 1.All information, such as connector specifications, dimensions, etc, on the web site are reference only. Connector information can be changed without notice.
Please request the latest specification and DWG from HRS before you design in our products.
Please confirm the RoHS status using the RoHS Compliant Part Number Search on this web site.
- 2.Please check the availability of Non-RoHS compliant products before ordering.
Non-RoHS compliant products may be discontinued.

Part Number/Hirose Number Search

Search Hirose web site, powered by 

GO

GO



Support of this site (U.S.A.) Tel:805-522-7958 8am-5pm (PST)

***This page is best viewed using Internet Explorer 5.5 or higher.**

[Japanese](#)

Copyright (C) 1999-2007 HIROSE ELECTRIC CO., LTD.

X-ON Electronics

Largest Supplier of Electrical and Electronic Components

Click to view similar products for [Board to Board & Mezzanine Connectors](#) category:

Click to view products by [Hirose](#) manufacturer:

Other Similar products are found below :

[589158040000018](#) [MDF7C-18P-2.54DSA\(55\)](#) [FCN-230C068-11](#) [FCN-268F012-G/BD](#) [FCN-268F036-G/BD](#) [FCN-268M012-G/0D](#) [FCN-268M024-G/1D](#) [FCN-723J004/1](#) [MIS-048-01-F-D-DP-K](#) [832-10-034-10-001000](#) [FX4C-80S-1.27DSA](#) [FCN-214Q030-G/0](#) [FCN-234P048-G/0](#) [FCN-235D050-G/C](#) [210-93-314-41-105000](#) [2-22603-0](#) [MDF7-40DP-2.54DSA\(55\)](#) [AXG720047](#) [MIT-114-03-F-D-K](#) [55323-1519](#) [DF33-2P-3.3DSA\(24\)](#) [YFT-20-05-H-03-SB-K](#) [503308-3040](#) [026-6203-PDB](#) [027-6203-PDB](#) [069159702701000](#) [10123981-102LF](#) [101A10019X](#) [55650-0588-C](#) [68682-310LF](#) [68684-306](#) [75140-7012](#) [87471-650](#) [YTW-30-07-H-Q-410-140](#) [FCN-268F024-G0D](#) [10124054-515LF](#) [68685-603](#) [8-1616154-3](#) [MIS-019-01-F-D](#) [FCN-268M024-G/3D](#) [FCN-268M036-G/BD](#) [20021832-06016C1LF](#) [KX15-20KLDL-E1000E](#) [AXE810124](#) [FCN-214J100-G/0](#) [FCN-230C068-E/S](#) [AXE812124](#) [AXE816124](#) [AXE720127](#) [354184](#)