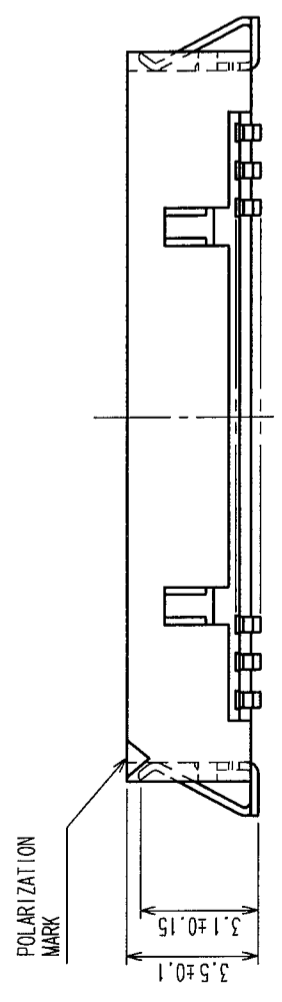
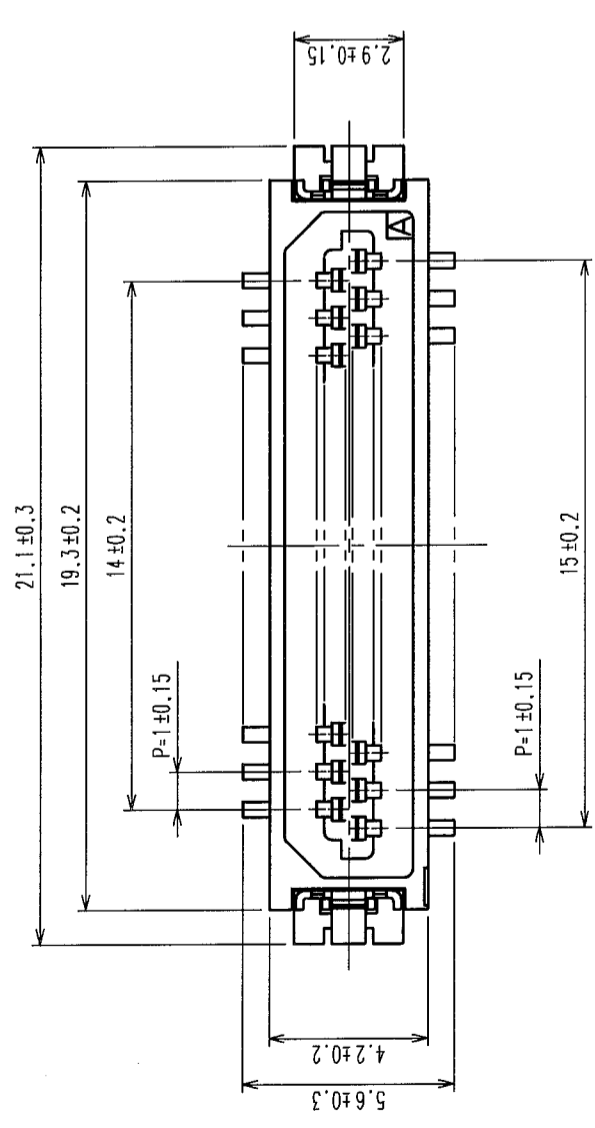
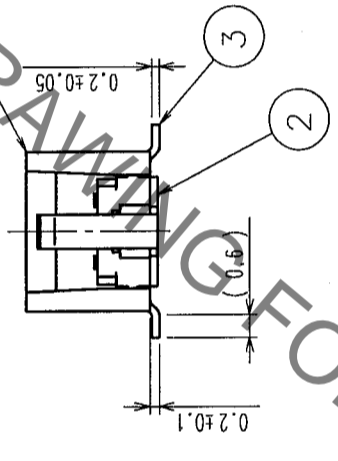
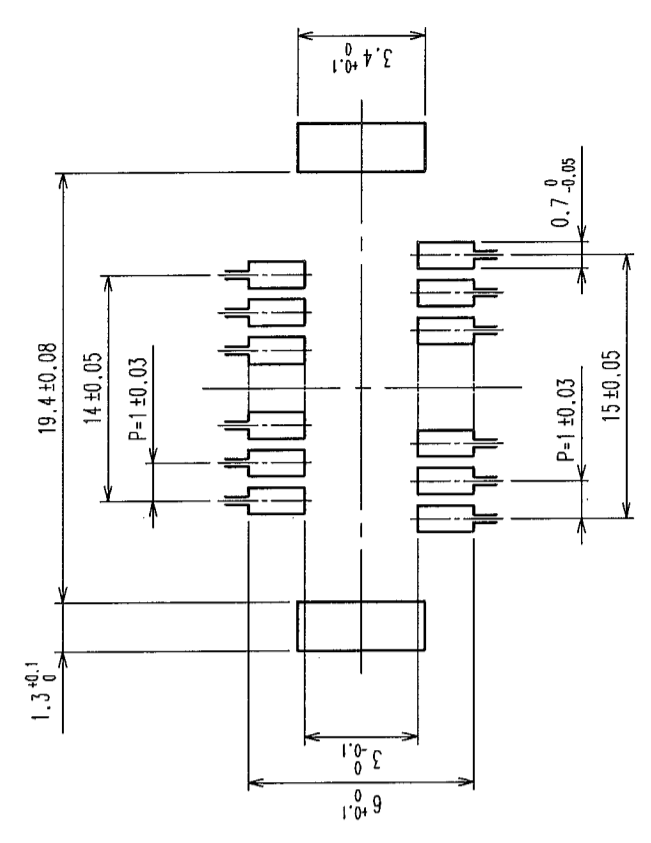


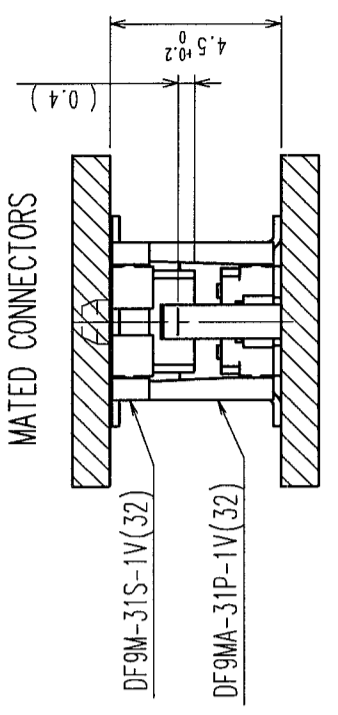
COUNT	DESCRIPTION OF REVISIONS	BY	CHKD	DATE	COUNT	DESCRIPTION OF REVISIONS	BY	CHKD	DATE
△					△				
△					△				
△					△				



RECOMMENDED PATTERN



MATED CONNECTORS



NOTE 1: LEAD CO-PLANARITY INCLUDE REINFORCED METAL FITTINGS SHALL BE 0.1mm MAX.

NO.	MATERIAL	FINISH, REMARKS	NO.	MATERIAL	FINISH, REMARKS
3	PHOSPHOR BRONZE	TIN PLATED (HOT-DIP) 1μm min.	7	PS	PLASTIC REEL, BLACK
2	PHOSPHOR BRONZE	TIN PLATED (REFLOW FINISHED) 1μm min.	6	POLYIMIDE	BROWN (HEAT-RESISTANT TAPE)
1	POLYAMIDE	BEIGE, UL94V-0	5	POLYESTER	CLEAR (COVER TAPE)
			4	PS	CLEAR (EMBOSSED CARRIER TAPE)

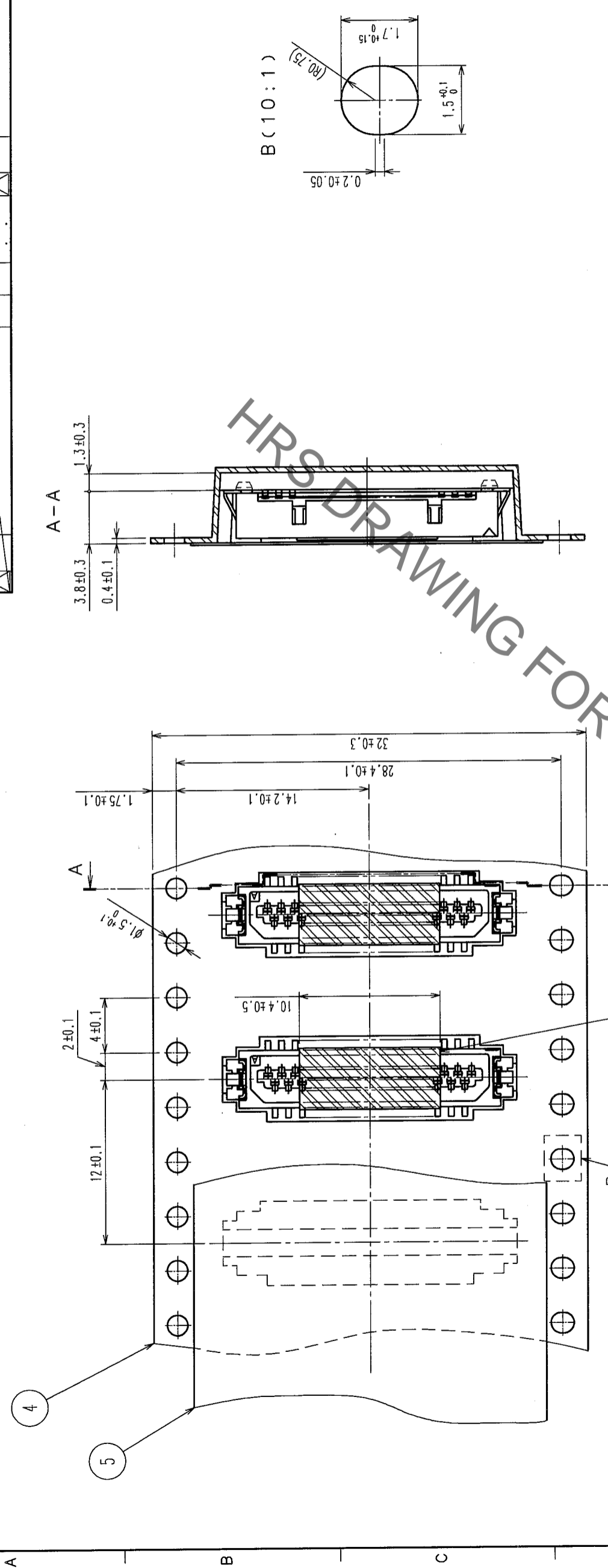
CODE NO. (OLD)	DRAWN	DESIGNED	CHECKED	APPROVED	RELEASED
	<i>J. Mochida</i>	<i>A. Takahashi</i>	<i>T. Sakata</i>	<i>T. Sakata</i>	
		05.1.11	05.1.12	05.1.12	
	DRAWING NO.	PART NO.			
	EDC3-160302-01	DF9MA-31P-1V(32)			
SCALE	CODE NO.				
5 : 1	CL540-0218-5-32				
UNITS	HIROSE ELECTRIC CO., LTD				
mm					

TO	
----	--

HRS DRAWING FOR REFERENCE

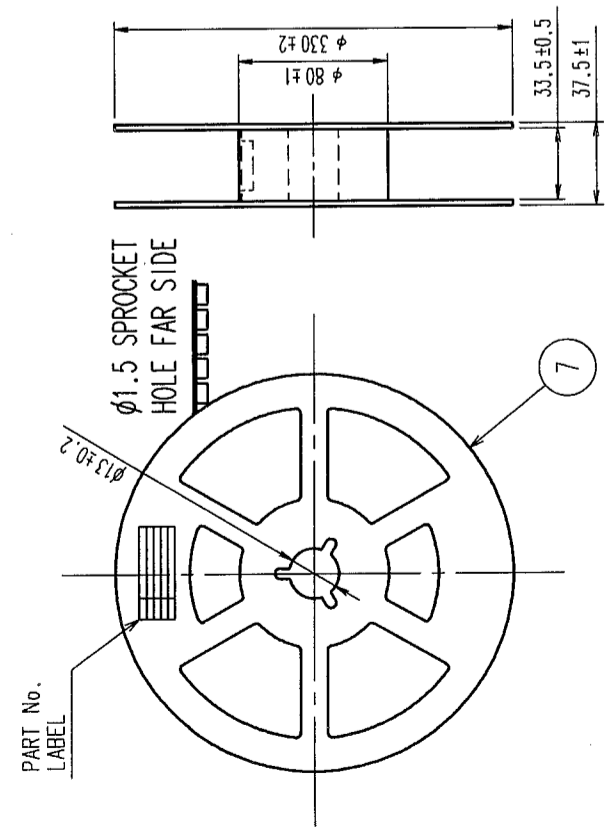
COUNT	DESCRIPTION OF REVISIONS	BY	CHKD	DATE	COUNT	DESCRIPTION OF REVISIONS	BY	CHKD	DATE
△					△				
△					△				
△					△				

A A B C D E F



4 DIRECTION OF UNREELING

STYLE AND DIMENSION OF REEL



NOTES  
 2: 1 REEL:1000 CONNECTORS.  
 3: AT THE BEGINNING OF THE REEL, 30 COMPONENTS SHALL BE EMPTY.  
 AT THE END OF THE REEL,20 COMPONENTS SHALL BE EMPTY.  
 4: DETAIL OF PART NO. LABEL IS WRITTEN IN JAPANESE.

SUPPLIER	*** ** *
QUANTITY	*** ** *
PART NO.	CL540-0218-5-32
CODE NO.	DF9MA-31P-1V(32)
DATE OF MANUFACTURED	1000K0
4:DETAIL OF PART NO. LABEL	
生産月日	*** ** *
図番	CL540-0218-5-32
品名	DF9MA-31P-1V(32)
納入数量	1000K0
納入者	ヒロセ電機株式会社

CODE NO. (OLD)	DRAWN	DESIGNED	CHECKED	APPROVED	RELEASED
	G. Michieda	T. Sakahashi	T. Sakata	T. Sakata	
	05.1.6	05.1.11	05.1.12	05.1.12	
DRAWING NO.	PART NO.				
EDC3-160302-01	DF9MA-31P-1V(32)				
SCALE	FR:EE				
UNITS	mm				
	HRS				
	HIROSE ELECTRIC CO., LTD				
	CL540-0218-5-32				
	2/2				

TO	

## X-ON Electronics

Largest Supplier of Electrical and Electronic Components

*Click to view similar products for [Board to Board & Mezzanine Connectors](#) category:*

*Click to view products by [Hirose](#) manufacturer:*

Other Similar products are found below :

[589158040000018](#) [MDF7C-18P-2.54DSA\(55\)](#) [FCN-230C068-11](#) [FCN-268F012-G/BD](#) [FCN-268F036-G/BD](#) [FCN-268M012-G/0D](#) [FCN-268M024-G/1D](#) [FCN-723J004/1](#) [MIS-048-01-F-D-DP-K](#) [832-10-034-10-001000](#) [FX4C-80S-1.27DSA](#) [FCN-214Q030-G/0](#) [FCN-234P048-G/0](#) [FCN-235D050-G/C](#) [210-93-314-41-105000](#) [2-22603-0](#) [MDF7-40DP-2.54DSA\(55\)](#) [AXG720047](#) [MIT-114-03-F-D-K](#) [55323-1519](#) [DF33-2P-3.3DSA\(24\)](#) [YFT-20-05-H-03-SB-K](#) [503308-3040](#) [026-6203-PDB](#) [027-6203-PDB](#) [069159702701000](#) [10123981-102LF](#) [101A10019X](#) [55650-0588-C](#) [68682-310LF](#) [68684-306](#) [75140-7012](#) [87471-650](#) [YTW-30-07-H-Q-410-140](#) [FCN-268F024-G0D](#) [10124054-515LF](#) [68685-603](#) [8-1616154-3](#) [MIS-019-01-F-D](#) [FCN-268M024-G/3D](#) [FCN-268M036-G/BD](#) [20021832-06016C1LF](#) [KX15-20KLDL-E1000E](#) [AXE810124](#) [FCN-214J100-G/0](#) [FCN-230C068-E/S](#) [AXE812124](#) [AXE816124](#) [AXE720127](#) [354184](#)