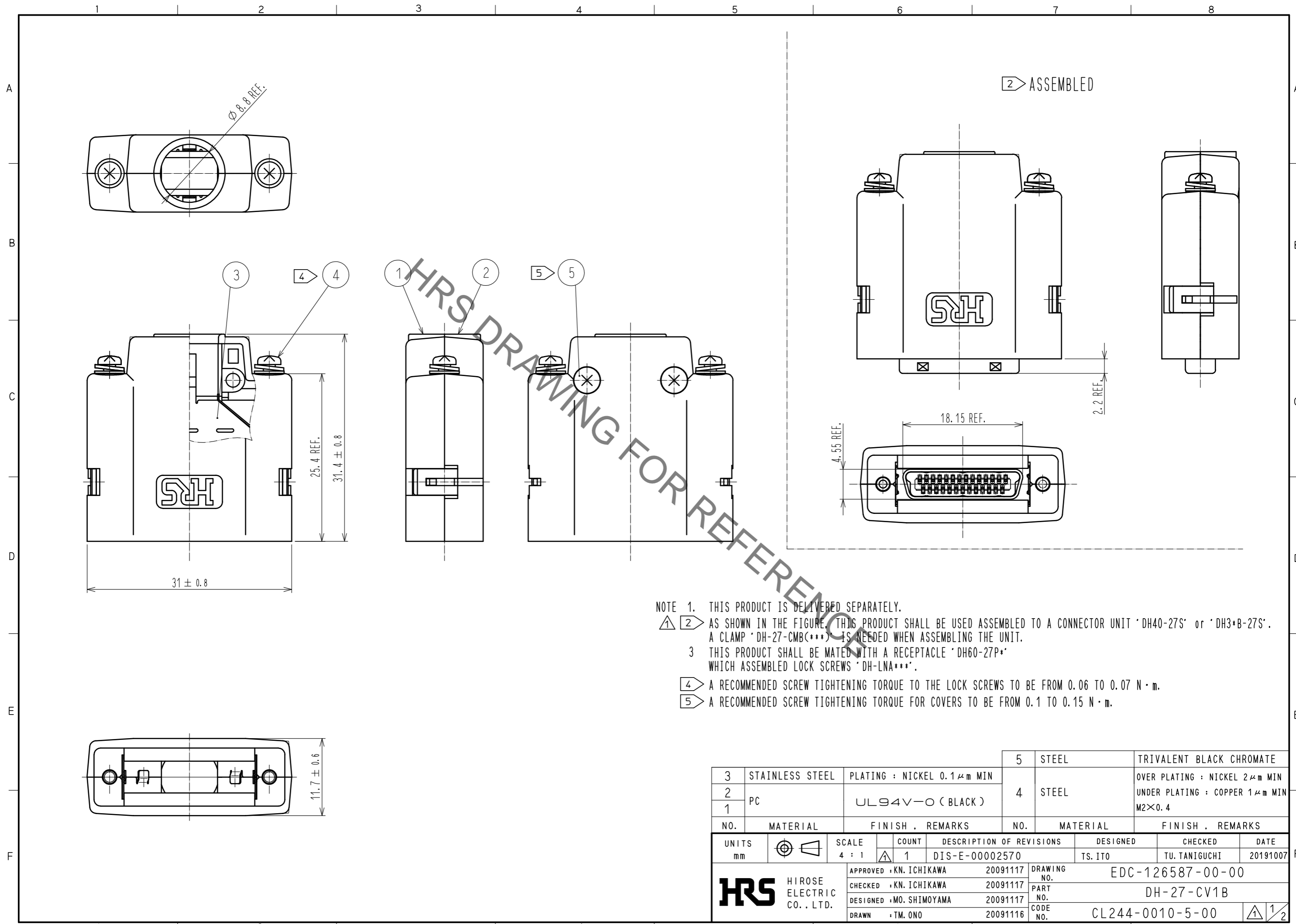


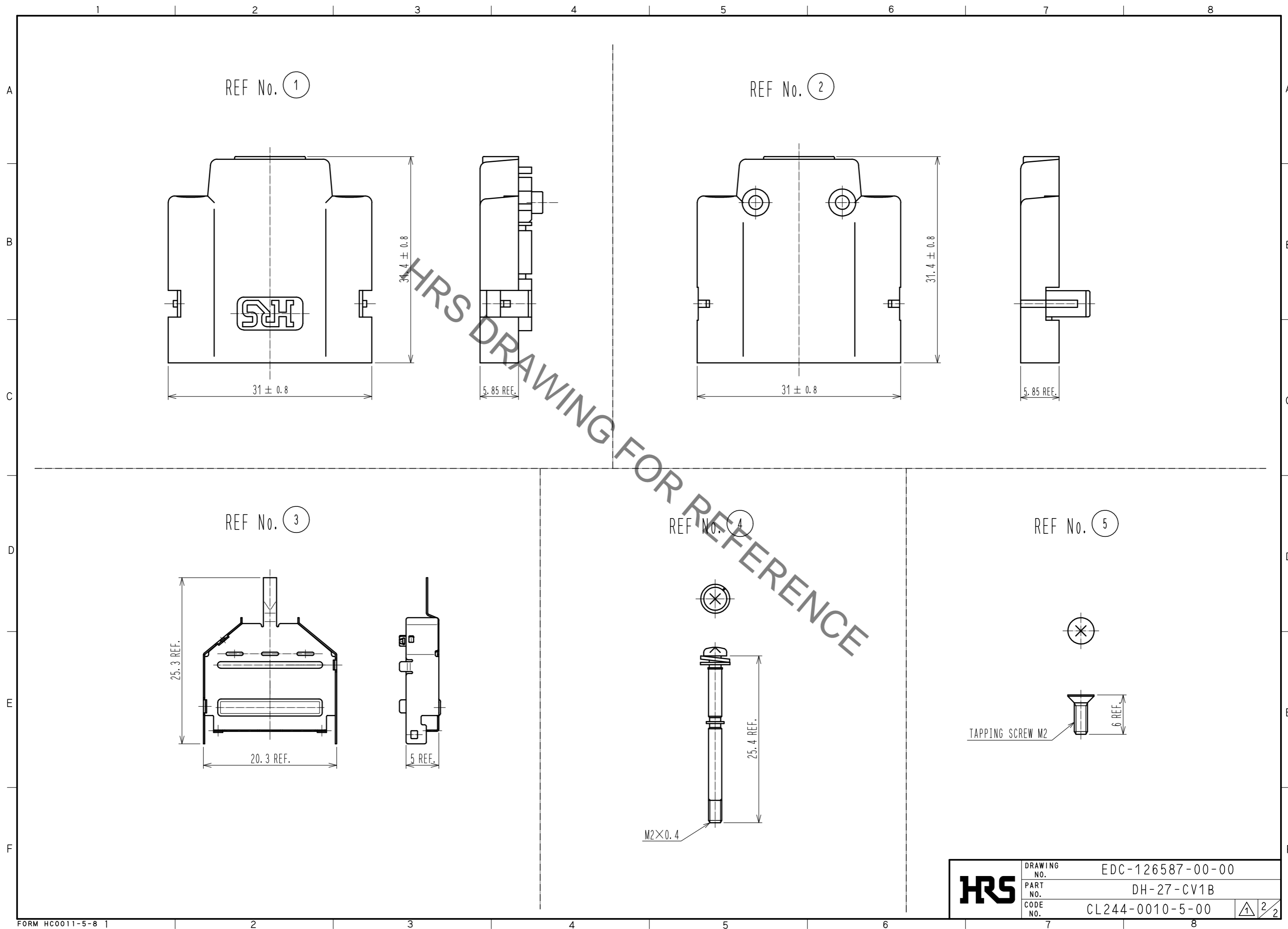
Sep.1.2021 Copyright 2021 HIROSE ELECTRIC CO., LTD. All Rights Reserved.  
In case of consideration for using Automotive equipment / device which demand high reliability, kindly contact our sales window correspondents.



NOTE 1. THIS PRODUCT IS DELIVERED SEPARATELY.  
 1 2 AS SHOWN IN THE FIGURE, THIS PRODUCT SHALL BE USED ASSEMBLED TO A CONNECTOR UNIT 'DH40-27S' or 'DH3+B-27S'. A CLAMP 'DH-27-CMB(\*\*\*)' IS NEEDED WHEN ASSEMBLING THE UNIT.  
 3 THIS PRODUCT SHALL BE MATED WITH A RECEPTACLE 'DH60-27P\*' WHICH ASSEMBLED LOCK SCREWS 'DH-LNA\*\*\*'.  
 4 A RECOMMENDED SCREW TIGHTENING TORQUE TO THE LOCK SCREWS TO BE FROM 0.06 TO 0.07 N · m.  
 5 A RECOMMENDED SCREW TIGHTENING TORQUE FOR COVERS TO BE FROM 0.1 TO 0.15 N · m.

3	STAINLESS STEEL	PLATING : NICKEL 0.1 μm MIN	5	STEEL	TRIVALENT BLACK CHROMATE
2	PC	UL94V-0 (BLACK)	4	STEEL	OVER PLATING : NICKEL 2 μm MIN UNDER PLATING : COPPER 1 μm MIN M2×0.4
1					
NO.	MATERIAL	FINISH . REMARKS	NO.	MATERIAL	FINISH . REMARKS
UNITS mm		SCALE 4 : 1	COUNT 1	DESCRIPTION OF REVISIONS DIS-E-00002570	
		DESIGNED TS. ITO	CHECKED TU. TANIGUCHI		DATE 20191007
<b>HRS</b> HIROSE ELECTRIC CO., LTD.		APPROVED : KN. ICHIKAWA 20091117	DRAWING NO. EDC-126587-00-00		
		CHECKED : KN. ICHIKAWA 20091117	PART NO. DH-27-CV1B		
		DESIGNED : MO. SHIMOYAMA 20091117	CODE NO. CL244-0010-5-00		
		DRAWN : TM. ONO 20091116	1/2		

Sep.1.2021 Copyright 2021 HIROSE ELECTRIC CO., LTD. All Rights Reserved.  
In case of consideration for using Automotive equipment / device which demand high reliability, kindly contact our sales window correspondents.



<b>HRS</b>	DRAWING NO.	EDC-126587-00-00
	PART NO.	DH-27-CV1B
	CODE NO.	CL244-0010-5-00
		2/2

## X-ON Electronics

Largest Supplier of Electrical and Electronic Components

*Click to view similar products for [I/O Connectors](#) category:*

*Click to view products by [Hirose](#) manufacturer:*

Other Similar products are found below :

[571763P](#) [58098-0628](#) [72.250.1628.2](#) [72.250.2428.2](#) [74720-0505](#) [76.350.0729.0](#) [76871-1403](#) [FCN-244F080-G/1](#) [FCN-260A9920](#) [PCR-E36PM](#) [PCS-XE26MA+](#) [G38A71314B](#) [1571250010](#) [157-22500-3](#) [MS3471L14-19P L/C](#) [192991-0703](#) [172501-4002](#) [172501-6002](#) [FCN-260C008-A/L0](#) [FCN-260C024-AL0](#) [FCN-261Z008](#) [2000314-1](#) [200331-1](#) [PCR-E36FC+](#) [PCS-E28FS+](#) [PCS-XE26SLFD+](#) [PCS-XE26SLFDT+](#) [G730VID08BDC24](#) [U90B2054081210](#) [UE86K842720321](#) [38113800006](#) [DP3AR020WQ1R200](#) [Z4.102.0680.0](#) [500-1040](#) [500-1052](#) [500-1054](#) [ZP-4008-66L](#) [0709821002](#) [DX40-20P\(55\)](#) [5554841-1](#) [MS3474W18-8P-LC\\*](#) [SM3106F14S-7S-LC](#) [U90B3054061110](#) [U65-E04-4020](#) [ZPF000000000097891](#) [557-262M2-06C](#) [747360449](#) [10099439-003C-TRLF](#) [10137239-0021LF](#) [E9320-001-01](#)