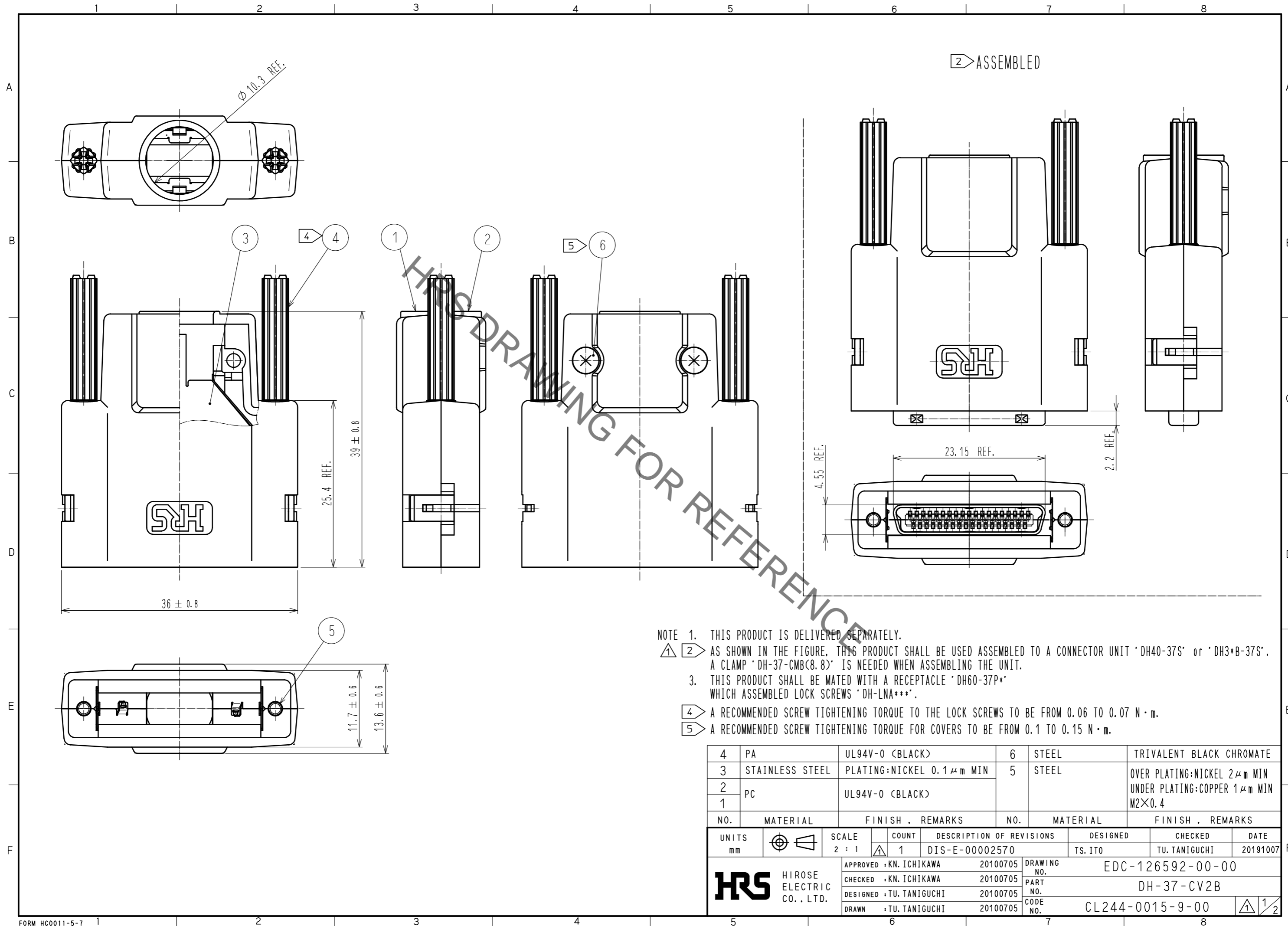


Sep.1.2021 Copyright 2021 HIROSE ELECTRIC CO., LTD. All Rights Reserved.  
In case of consideration for using Automotive equipment / device which demand high reliability, kindly contact our sales window correspondents.

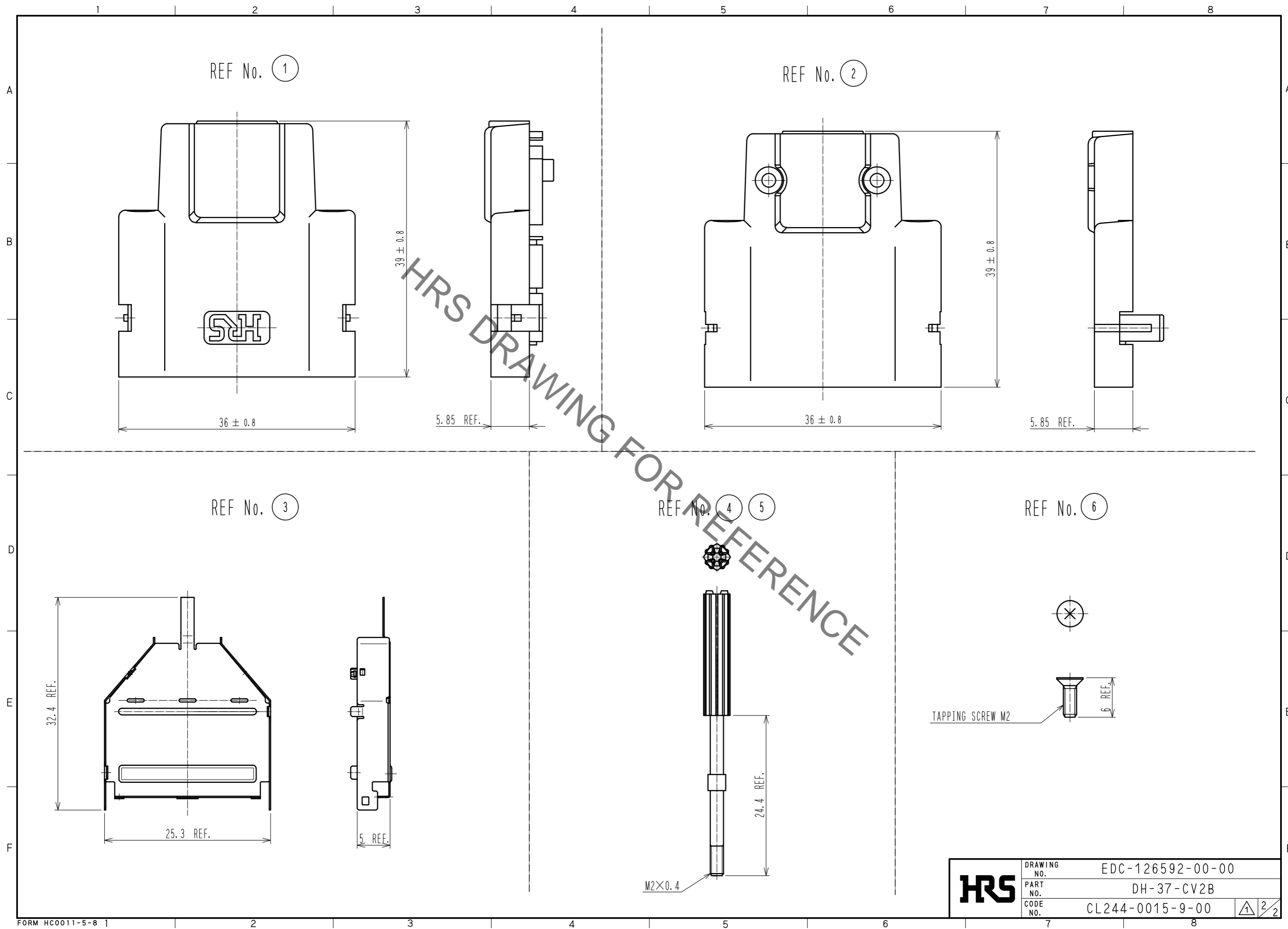


- NOTE 1. THIS PRODUCT IS DELIVERED SEPARATELY.  
 1 2 AS SHOWN IN THE FIGURE, THIS PRODUCT SHALL BE USED ASSEMBLED TO A CONNECTOR UNIT 'DH40-37S' or 'DH3+B-37S'. A CLAMP 'DH-37-CMB(8.8)' IS NEEDED WHEN ASSEMBLING THE UNIT.  
 3. THIS PRODUCT SHALL BE MATED WITH A RECEPTACLE 'DH60-37P\*' WHICH ASSEMBLED LOCK SCREWS 'DH-LNA\*\*\*'.  
 4 A RECOMMENDED SCREW TIGHTENING TORQUE TO THE LOCK SCREWS TO BE FROM 0.06 TO 0.07 N · m.  
 5 A RECOMMENDED SCREW TIGHTENING TORQUE FOR COVERS TO BE FROM 0.1 TO 0.15 N · m.

| 4   | PA              | UL94V-0 (BLACK)           | 6   | STEEL    | TRIVALENT BLACK CHROMATE                                      |
|-----|-----------------|---------------------------|-----|----------|---|
| 3   | STAINLESS STEEL | PLATING:NICKEL 0.1 μm MIN | 5   | STEEL    | OVER PLATING:NICKEL 2 μm MIN<br>UNDER PLATING:COPPER 1 μm MIN |
| 2   | PC              | UL94V-0 (BLACK)           |     |          | M2×0.4  |
| 1   |                 |                           |     |          |   |
| NO. | MATERIAL        | FINISH . REMARKS          | NO. | MATERIAL | FINISH . REMARKS  |

|                                      |  |                          |            |  |                     |                          |                  |
|--------------------------------------|--|--------------------------|------------|--|---------------------|--------------------------|------------------|
| UNITS<br>mm                          |  | SCALE<br>2 : 1           | COUNT<br>1 | DESCRIPTION OF REVISIONS<br>DIS-E-00002570 | DESIGNED<br>TS. ITO | CHECKED<br>TU. TANIGUCHI | DATE<br>20191007 |
| <b>HRS</b> HIROSE ELECTRIC CO., LTD. |  | APPROVED : KN. ICHIKAWA  | 20100705   | DRAWING NO.<br>EDC-126592-00-00            |                     |                          |                  |
|                                      |  | CHECKED : KN. ICHIKAWA   | 20100705   | PART NO.<br>DH-37-CV2B                     |                     |                          |                  |
|                                      |  | DESIGNED : TU. TANIGUCHI | 20100705   | CODE NO.<br>CL244-0015-9-00                |                     |                          |                  |
|                                      |  | DRAWN : TU. TANIGUCHI    | 20100705   |  |                     | 1/2                      |                  |

Sep.1.2021 Copyright 2021 HIROSE ELECTRIC CO., LTD. All Rights Reserved.  
In case of consideration for using Automotive equipment / device which demand high reliability, kindly contact our sales window correspondents.



|            |             |                  |
|------------|-------------|------------------|
| <b>HRS</b> | DRAWING NO. | EDC-126592-00-00 |
|            | PART NO.    | DH-37-CV2B       |
|            | CODE NO.    | CL244-0015-9-00  |
|            |             | 2/2              |

## X-ON Electronics

Largest Supplier of Electrical and Electronic Components

*Click to view similar products for [I/O Connectors](#) category:*

*Click to view products by [Hirose](#) manufacturer:*

Other Similar products are found below :

[571763P](#) [58098-0628](#) [72.250.1628.2](#) [72.250.2428.2](#) [74720-0505](#) [76.350.0729.0](#) [76871-1403](#) [FCN-244F080-G/1](#) [FCN-260A9920](#) [PCR-E36PM](#) [PCS-XE26MA+](#) [G38A71314B](#) [1571250010](#) [157-22500-3](#) [MS3471L14-19P L/C](#) [192991-0703](#) [172501-4002](#) [172501-6002](#) [FCN-260C008-A/L0](#) [FCN-260C024-AL0](#) [FCN-261Z008](#) [2000314-1](#) [200331-1](#) [PCR-E36FC+](#) [PCS-E28FS+](#) [PCS-XE26SLFD+](#) [PCS-XE26SLFDT+](#) [G730VID08BDC24](#) [U90B2054081210](#) [UE86K842720321](#) [38113800006](#) [DP3AR020WQ1R200](#) [Z4.102.0680.0](#) [500-1040](#) [500-1052](#) [500-1054](#) [ZP-4008-66L](#) [0709821002](#) [DX40-20P\(55\)](#) [5554841-1](#) [MS3474W18-8P-LC\\*](#) [SM3106F14S-7S-LC](#) [U90B3054061110](#) [U65-E04-4020](#) [ZPF000000000097891](#) [557-262M2-06C](#) [747360449](#) [10099439-003C-TRLF](#) [10137239-0021LF](#) [E9320-001-01](#)