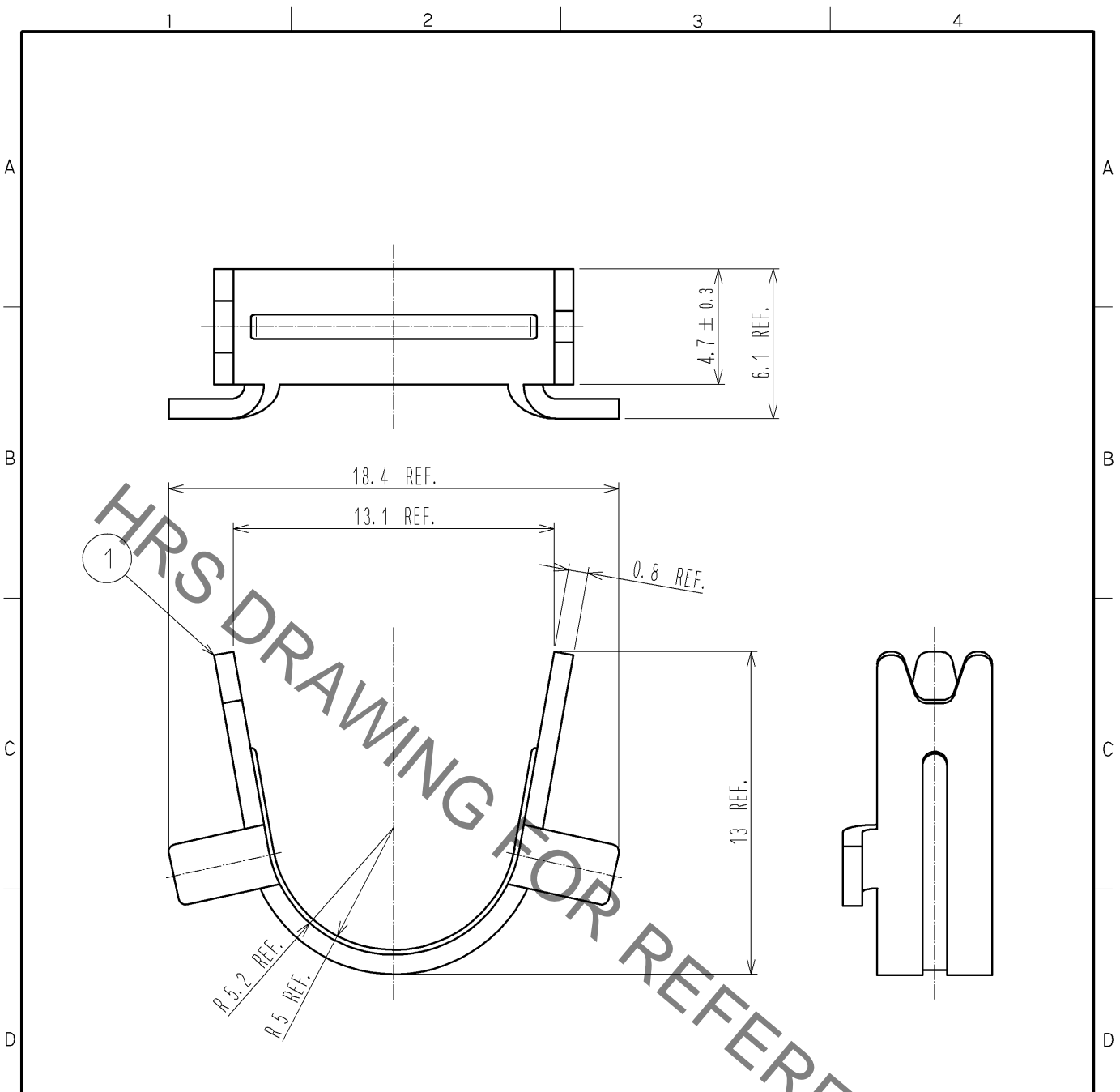


Sep.1.2021 Copyright 2021 HIROSE ELECTRIC CO., LTD. All Rights Reserved.
 In case of consideration for using Automotive equipment / device which demand high reliability, kindly contact our sales window correspondents.



NOTE 1. THIS PRODUCT IS A CLAMP FOR A COVER CASE 'DH-51-C**B'
 2. THE APPLICABLE CABLE DIAMETER IS $\phi 9.6$
 3. THIS PRODUCT IS PACKED IN A BAG.
 (QUANTITY PER BAG MAY VARY DUE TO THE AMOUNT OF EACH ORDER.)

| | | | | | | | | | | | | | |
|---------------------------|--|--------------------------|--|------------------|--|--|--|---------------------------|--|-------------------------|--|------------------|--|
| NO. | | MATERIAL | | FINISH . REMARKS | | 1 | | BRASS | | FINISH . REMARKS | | | |
| UNITS mm | | SCALE 4 : 1 | | COUNT 1 | | DESCRIPTION OF REVISIONS DIS-E-003059 | | DESIGNED MO. SHIMOYAMA | | CHECKED KN. ICHIKAWA | | DATE 09.12.07 | |
| HIROSE ELECTRIC CO., LTD. | | APPROVED : AO. SUZUKI | | 09.10.05 | | DRAWING NO. | | EDC4-126660-00 | | | | | |
| | | CHECKED : KN. ICHIKAWA | | 09.10.02 | | PART NO. | | DH-51-CMB(9.6) | | | | | |
| | | DESIGNED : TU. TANIGUCHI | | 09.10.02 | | CODE NO. | | CL244-0034-3-00 | | | | | |
| | | DRAWN : TU. TANIGUCHI | | 09.10.02 | | | | | | | | 1/1 | |

X-ON Electronics

Largest Supplier of Electrical and Electronic Components

Click to view similar products for [I/O Connectors](#) category:

Click to view products by [Hirose](#) manufacturer:

Other Similar products are found below :

[571763P](#) [58098-0628](#) [72.250.1628.2](#) [72.250.2428.2](#) [74720-0505](#) [76.350.0729.0](#) [76871-1403](#) [FCN-244F080-G/1](#) [FCN-260A9920](#) [PCR-E36PM](#) [PCS-XE26MA+](#) [G38A71314B](#) [1571250010](#) [157-22500-3](#) [MS3471L14-19P L/C](#) [192991-0703](#) [172501-4002](#) [172501-6002](#) [FCN-260C008-A/L0](#) [FCN-260C024-AL0](#) [FCN-261Z008](#) [2000314-1](#) [200331-1](#) [PCR-E36FC+](#) [PCS-E28FS+](#) [PCS-XE26SLFD+](#) [PCS-XE26SLFDT+](#) [G730VID08BDC24](#) [U90B2054081210](#) [UE86K842720321](#) [38113800006](#) [DP3AR020WQ1R200](#) [Z4.102.0680.0](#) [500-1040](#) [500-1052](#) [500-1054](#) [ZP-4008-66L](#) [0709821002](#) [DX40-20P\(55\)](#) [5554841-1](#) [MS3474W18-8P-LC*](#) [SM3106F14S-7S-LC](#) [U90B3054061110](#) [U65-E04-4020](#) [ZPF000000000097891](#) [557-262M2-06C](#) [747360449](#) [10099439-003C-TRLF](#) [10137239-0021LF](#) [E9320-001-01](#)