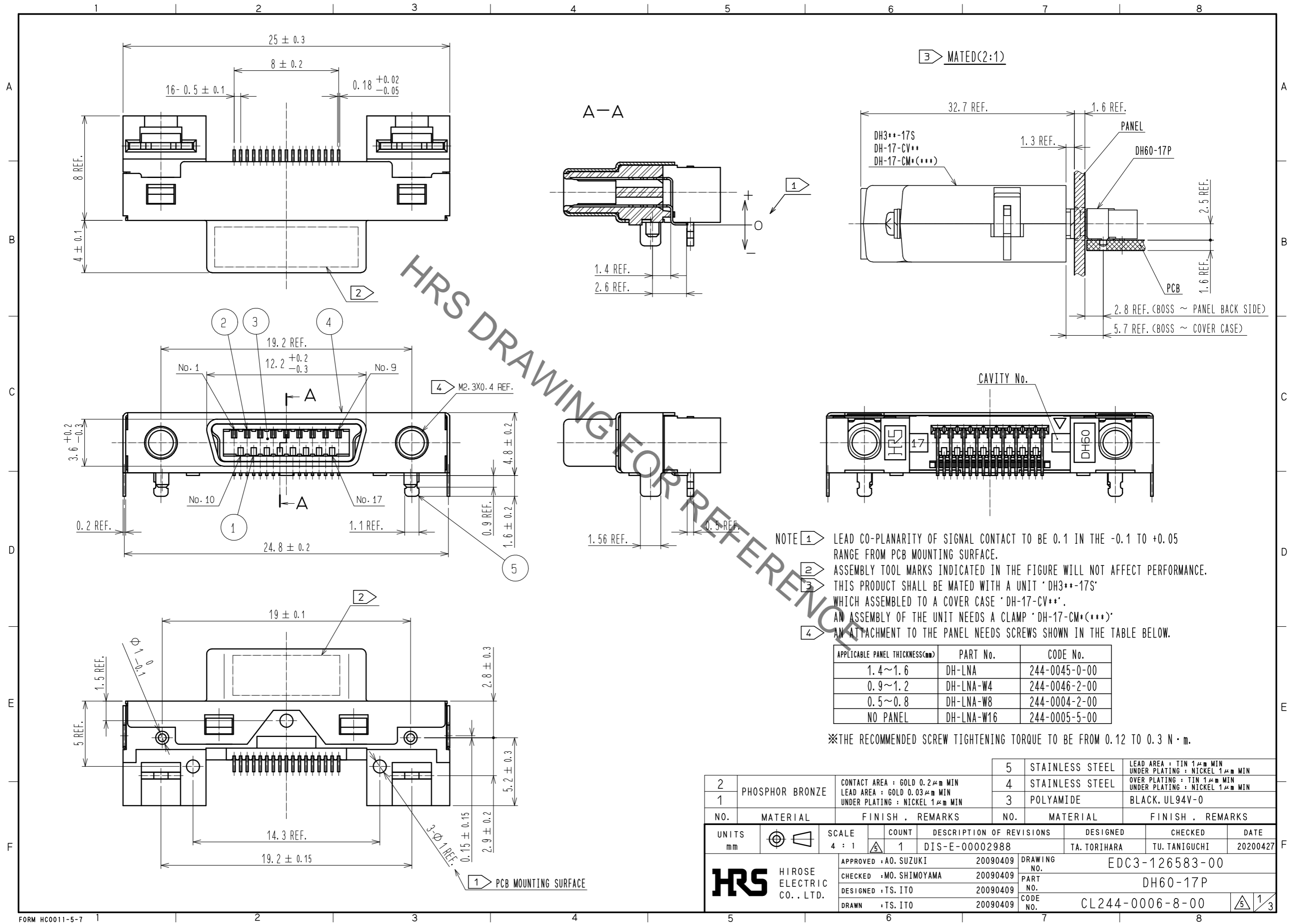


Sep.1.2021 Copyright 2021 HIROSE ELECTRIC CO., LTD. All Rights Reserved.
In case of consideration for using Automotive equipment / device which demand high reliability, kindly contact our sales window correspondents.



HRS DRAWING FOR REFERENCE

NOTE ① LEAD CO-PLANARITY OF SIGNAL CONTACT TO BE 0.1 IN THE -0.1 TO +0.05 RANGE FROM PCB MOUNTING SURFACE.
 ② ASSEMBLY TOOL MARKS INDICATED IN THE FIGURE WILL NOT AFFECT PERFORMANCE.
 ③ THIS PRODUCT SHALL BE MATED WITH A UNIT 'DH3**-17S' WHICH ASSEMBLED TO A COVER CASE 'DH-17-CV**'. AN ASSEMBLY OF THE UNIT NEEDS A CLAMP 'DH-17-CM*(***)'
 ④ AN ATTACHMENT TO THE PANEL NEEDS SCREWS SHOWN IN THE TABLE BELOW.

APPLICABLE PANEL THICKNESS(mm)	PART No.	CODE No.
1.4~1.6	DH-LNA	244-0045-0-00
0.9~1.2	DH-LNA-W4	244-0046-2-00
0.5~0.8	DH-LNA-W8	244-0004-2-00
NO PANEL	DH-LNA-W16	244-0005-5-00

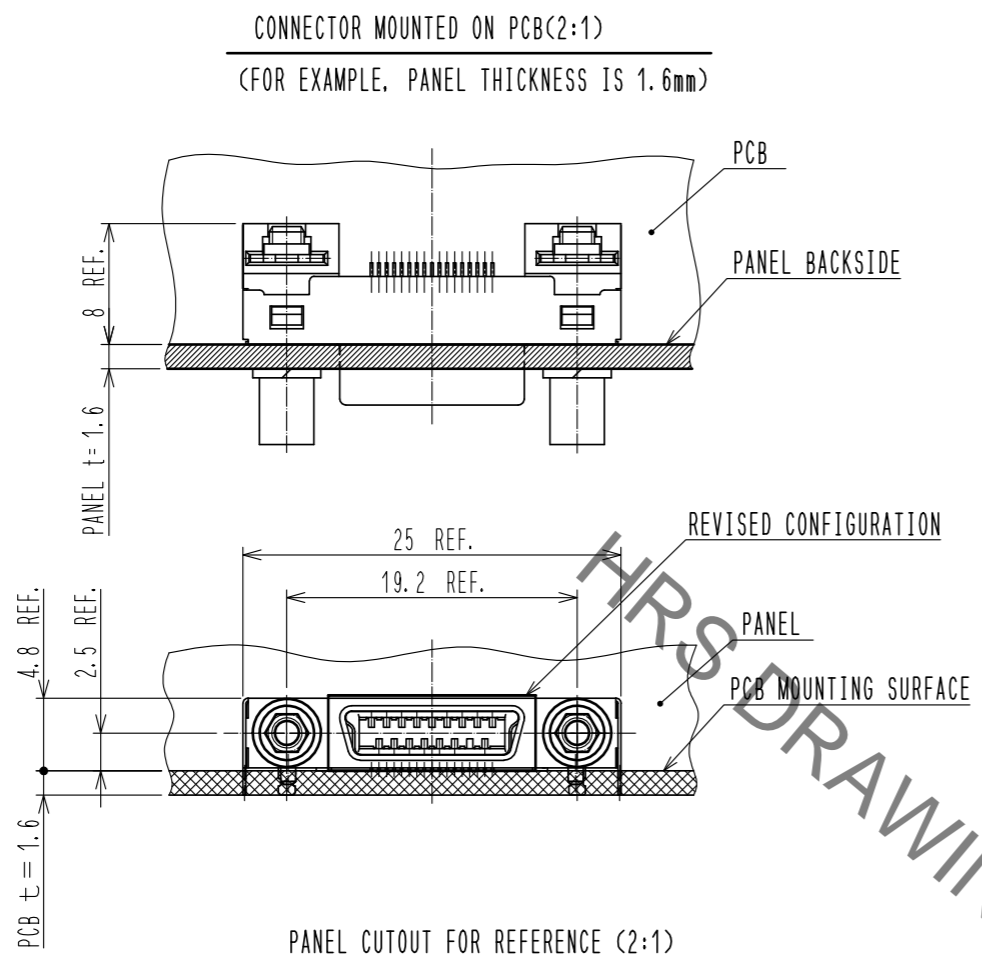
※THE RECOMMENDED SCREW TIGHTENING TORQUE TO BE FROM 0.12 TO 0.3 N · m.

NO.	MATERIAL	FINISH . REMARKS	NO.	MATERIAL	FINISH . REMARKS
2	PHOSPHOR BRONZE	CONTACT AREA : GOLD 0.2 μm MIN LEAD AREA : GOLD 0.03 μm MIN UNDER PLATING : NICKEL 1 μm MIN	5	STAINLESS STEEL	LEAD AREA : TIN 1 μm MIN UNDER PLATING : NICKEL 1 μm MIN
1			4	STAINLESS STEEL	OVER PLATING : TIN 1 μm MIN UNDER PLATING : NICKEL 1 μm MIN
			3	POLYAMIDE	BLACK, UL94V-0

UNITS	SCALE	COUNT	DESCRIPTION OF REVISIONS	DESIGNED	CHECKED	DATE
mm	4 : 1	1	DIS-E-00002988	TA. TORIHARA	TU. TANIGUCHI	20200427

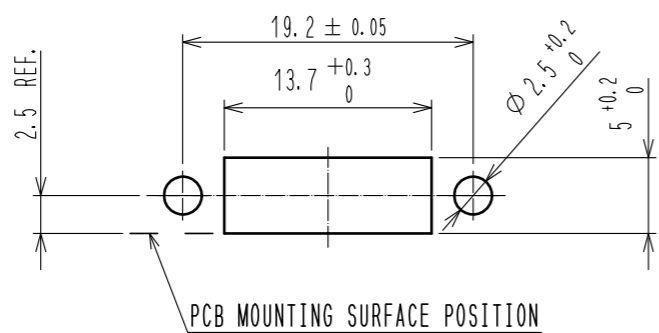
APPROVED	CHECKED	DESIGNED	DRAWN	DRAWING NO.	PART NO.	CODE NO.
A0. SUZUKI	MO. SHIMOYAMA	TS. ITO	TS. ITO	EDC3-126583-00	DH60-17P	CL244-0006-8-00
20090409	20090409	20090409	20090409			

Sep.1.2021 Copyright 2021 HIROSE ELECTRIC CO., LTD. All Rights Reserved.
In case of consideration for using Automotive equipment / device which demand high reliability, kindly contact our sales window correspondents.

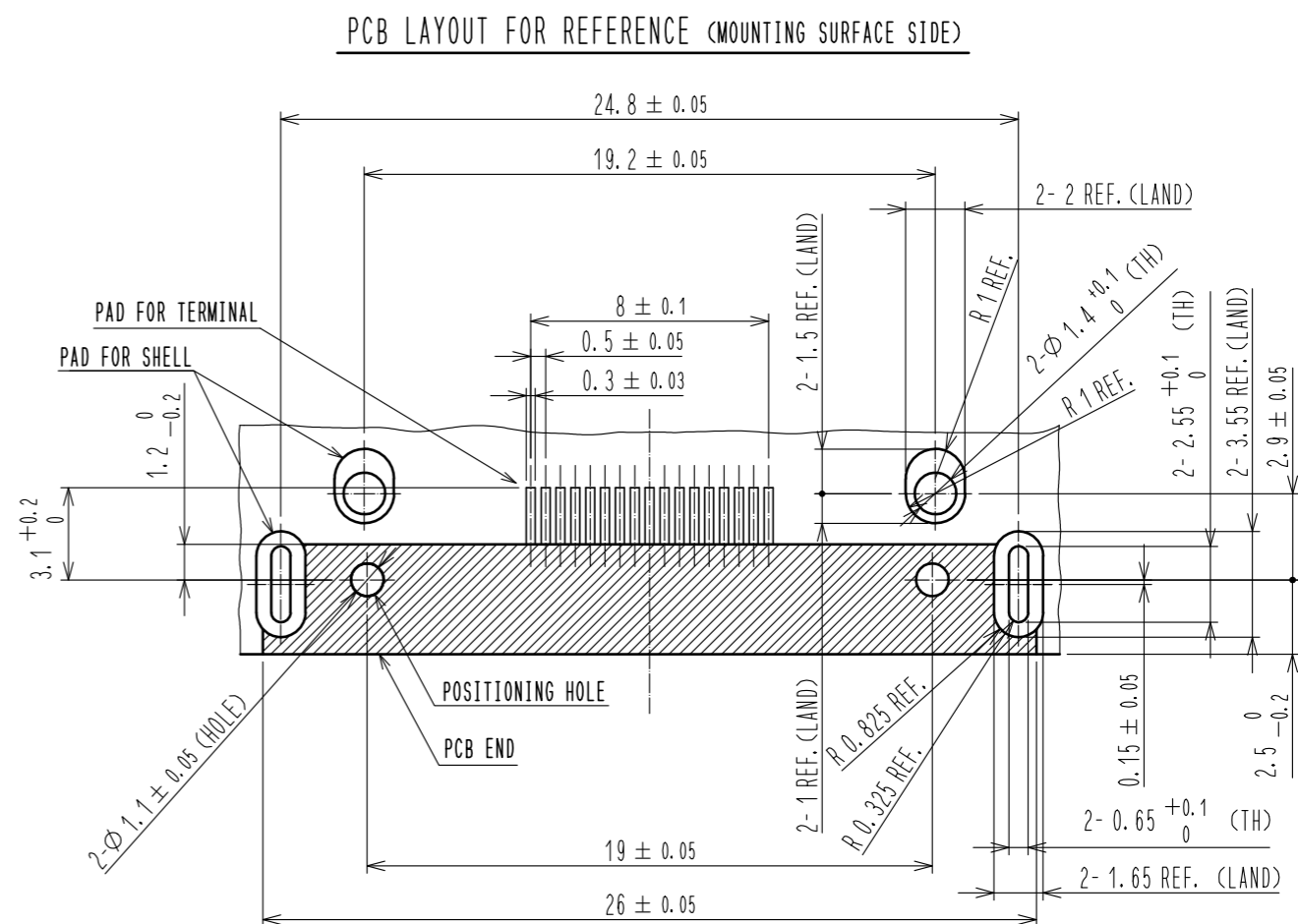
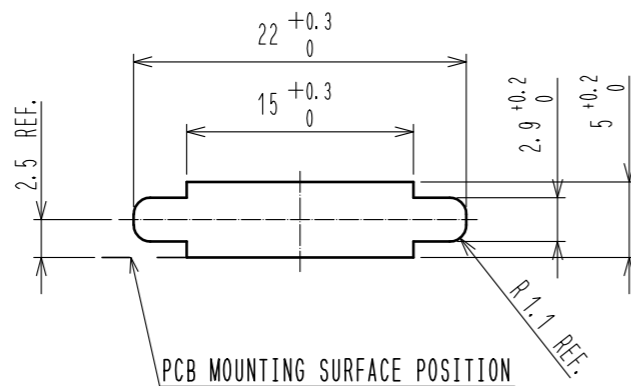


(THE DIMENSION IS SPECIFIED BASED ON THE CENTER OF THE CONNECTOR INTERFACE.)

DH-LNA (CL244-0045-0-00) IS USED.

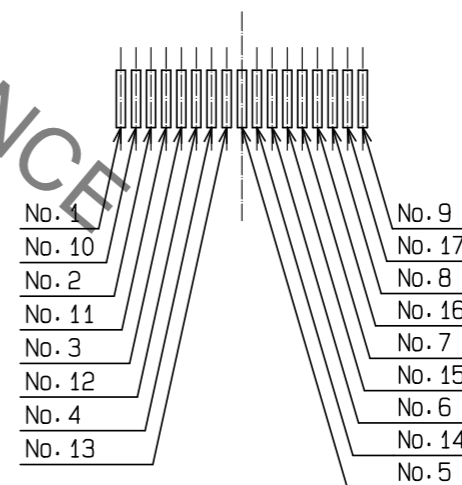


DH-LNA-W4 (CL244-0046-2-00)
DH-LNA-W8 (CL244-0004-2-00) IS USED.



PATTERN PROHIBITION AREA

TERMINAL No. CHART



HRS

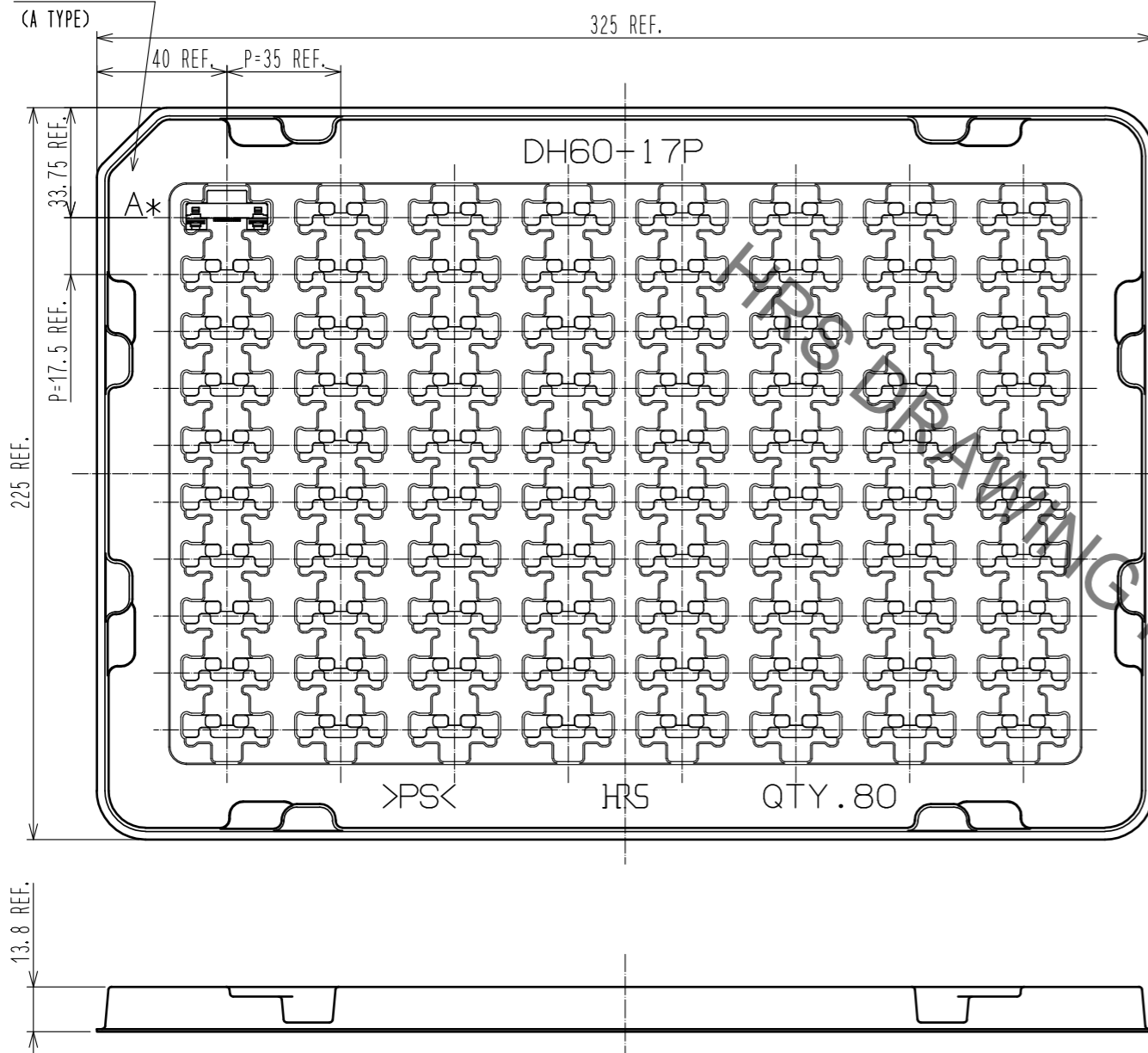
DRAWING NO.	EDC3-126583-00
PART NO.	DH60-17P
CODE NO.	CL244-0006-8-00

Sep.1.2021 Copyright 2021 HIROSE ELECTRIC CO., LTD. All Rights Reserved.
In case of consideration for using Automotive equipment / device which demand high reliability, kindly contact our sales window correspondents.

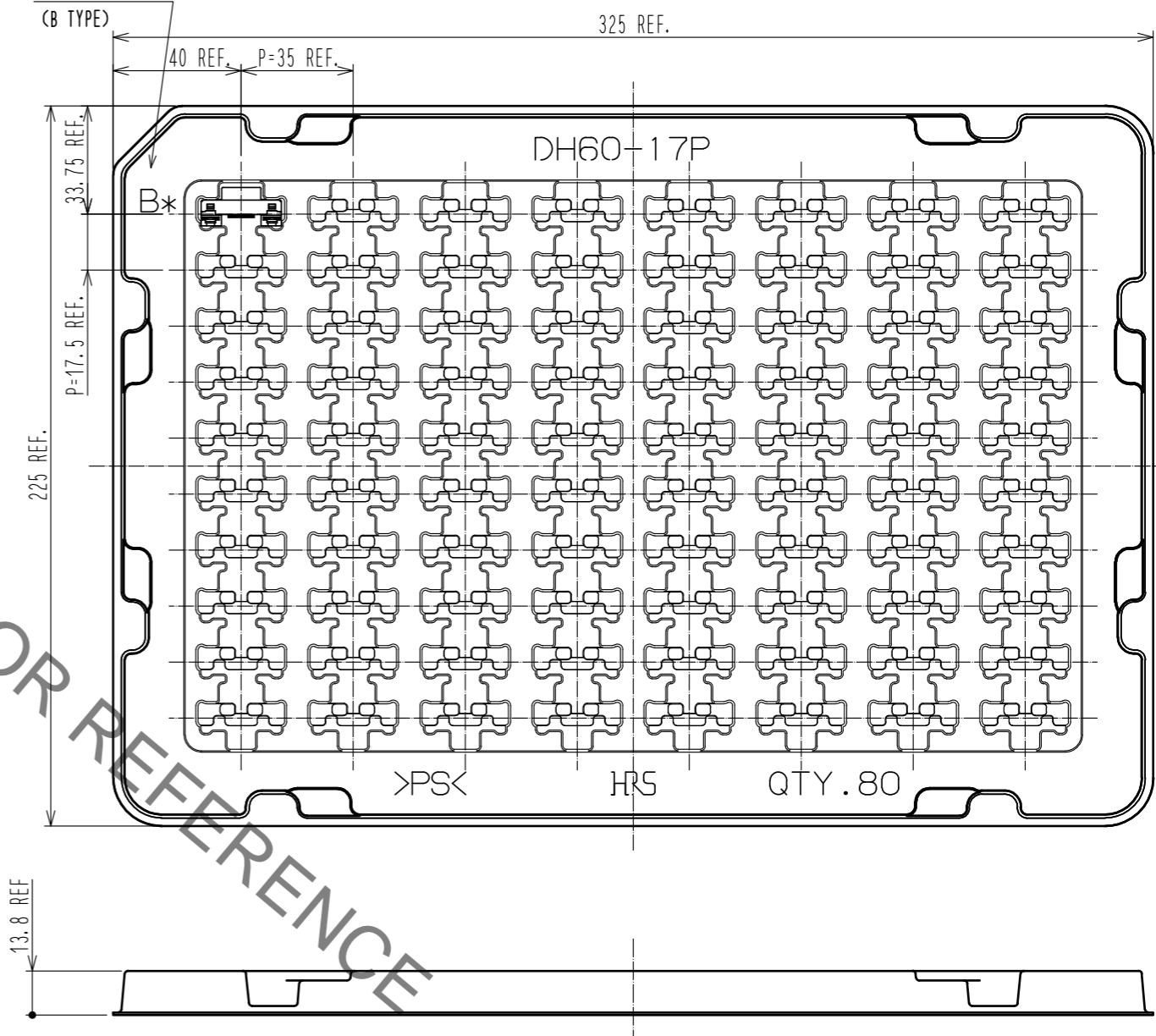
DRAWING FOR PACKING(1:2)

△ CHANGE TRAY SHAPE

TRAY KEY TYPE
(A TYPE)



TRAY KEY TYPE
(B TYPE)



※TRAYS, A TYPE AND B TYPE, ARE PILED UP ALTERNATELY.

HRS	DRAWING NO.	EDC3-126583-00
	PART NO.	DH60-17P
	CODE NO.	CL244-0006-8-00
		△ 3/3

X-ON Electronics

Largest Supplier of Electrical and Electronic Components

Click to view similar products for [I/O Connectors](#) category:

Click to view products by [Hirose](#) manufacturer:

Other Similar products are found below :

[571763P](#) [58098-0628](#) [72.250.1628.2](#) [72.250.2428.2](#) [74720-0505](#) [76.350.0729.0](#) [76871-1403](#) [FCN-244F080-G/1](#) [FCN-260A9920](#) [MP-5T180MUNNA-005](#) [PCR-E36PM](#) [PCS-XE26MA+](#) [G38A71314B](#) [1571250010](#) [157-22500-3](#) [MS3471L14-19P L/C](#) [192991-0703](#) [172501-4002](#) [172501-6002](#) [FCN-260C008-A/L0](#) [FCN-260C024-AL0](#) [FCN-261Z008](#) [2000314-1](#) [200331-1](#) [PCR-E36FC+](#) [PCS-E28FS+](#) [PCS-XE26SLFD+](#) [PCS-XE26SLFDT+](#) [G730VID08BDC24](#) [HDR-E14MSG1+](#) [U90B2054081210](#) [UE86K842720321](#) [38113800006](#)
[DP3AR020WQ1R200](#) [Z4.102.0680.0](#) [500-1040](#) [500-1052](#) [500-1054](#) [ZP-4008-66L](#) [0709821002](#) [DX40-20P\(55\)](#) [5554841-1](#) [MS3474W18-8P-LC*](#) [SM3106F14S-7S-LC](#) [U90B3054061110](#) [U65-E04-4020](#) [ZPF000000000097891](#) [557-262M2-06C](#) [747360449](#) [10099439-003C-TRLF](#)