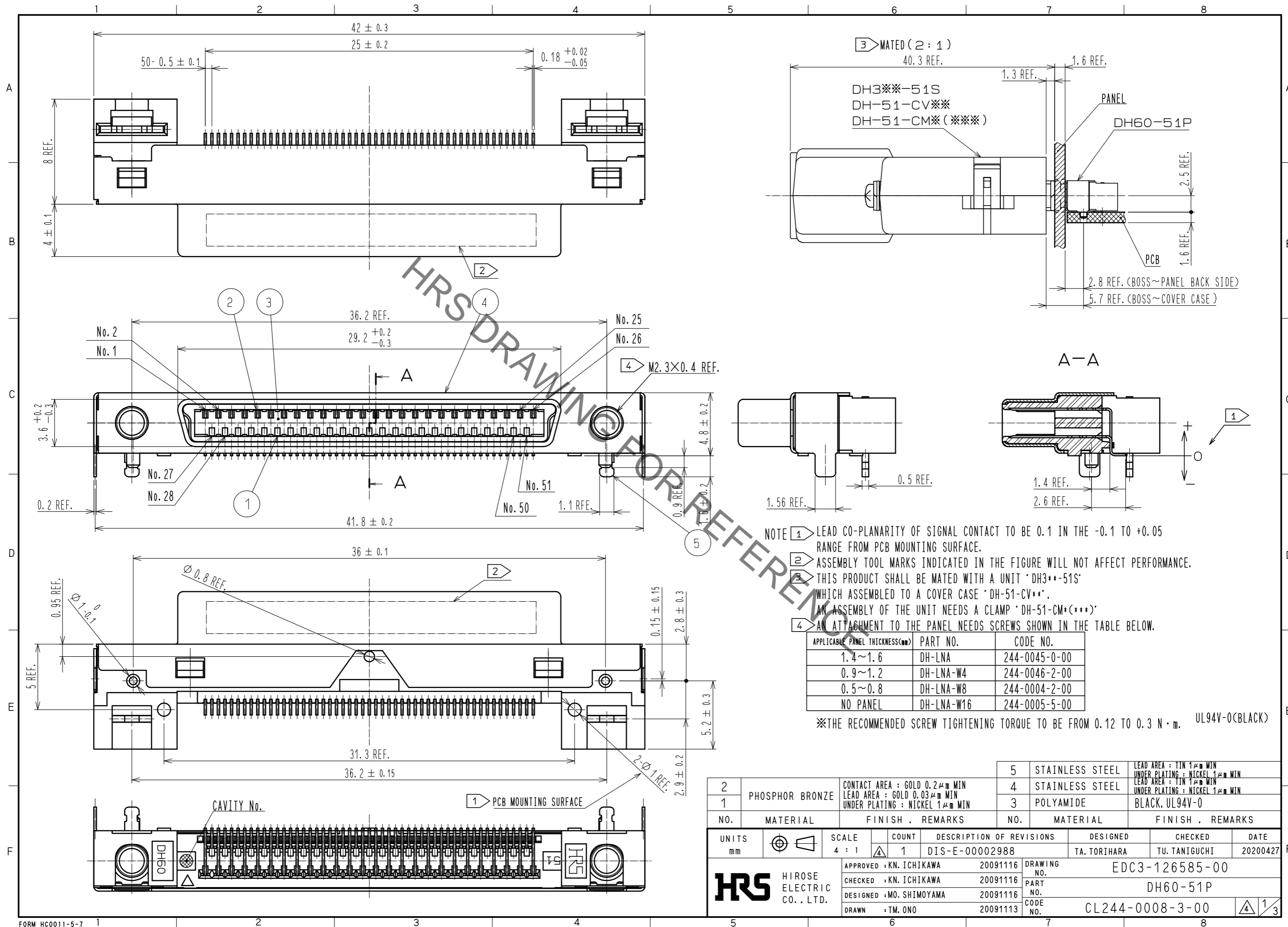


Aug.1.2021 Copyright 2021 HIROSE ELECTRIC CO., LTD. All Rights Reserved.  
In case of consideration for using Automotive equipment / device which demand high reliability, kindly contact our sales window correspondents.



- NOTE ① LEAD CO-PLANARITY OF SIGNAL CONTACT TO BE 0.1 IN THE -0.1 TO +0.05 RANGE FROM PCB MOUNTING SURFACE.  
 ② ASSEMBLY TOOL MARKS INDICATED IN THE FIGURE WILL NOT AFFECT PERFORMANCE.  
 ③ THIS PRODUCT SHALL BE MATED WITH A UNIT 'DH3\*\*-51S' WHICH ASSEMBLED TO A COVER CASE 'DH-51-CV\*\*'. AN ASSEMBLY OF THE UNIT NEEDS A CLAMP 'DH-51-CM\*(\*\*\*)'.  
 ④ AN ATTACHMENT TO THE PANEL NEEDS SCREWS SHOWN IN THE TABLE BELOW.

APPLICABLE PANEL THICKNESS(mm)	PART NO.	CODE NO.
1.4~1.6	DH-LNA	244-0045-0-00
0.9~1.2	DH-LNA-W4	244-0046-2-00
0.5~0.8	DH-LNA-W8	244-0004-2-00
NO PANEL	DH-LNA-W16	244-0005-5-00

※THE RECOMMENDED SCREW TIGHTENING TORQUE TO BE FROM 0.12 TO 0.3 N·m. UL94V-0(BLACK)

NO.	MATERIAL	FINISH .	REMARKS	NO.	MATERIAL	FINISH .	REMARKS
2	PHOSPHOR BRONZE		CONTACT AREA : GOLD 0.2μm MIN LEAD AREA : GOLD 0.03μm MIN UNDER PLATING : NICKEL 1μm MIN	5	STAINLESS STEEL		LEAD AREA : TIN 1μm MIN UNDER PLATING : NICKEL 1μm MIN
1				4	STAINLESS STEEL		LEAD AREA : TIN 1μm MIN UNDER PLATING : NICKEL 1μm MIN
				3	POLYAMIDE		BLACK, UL94V-0

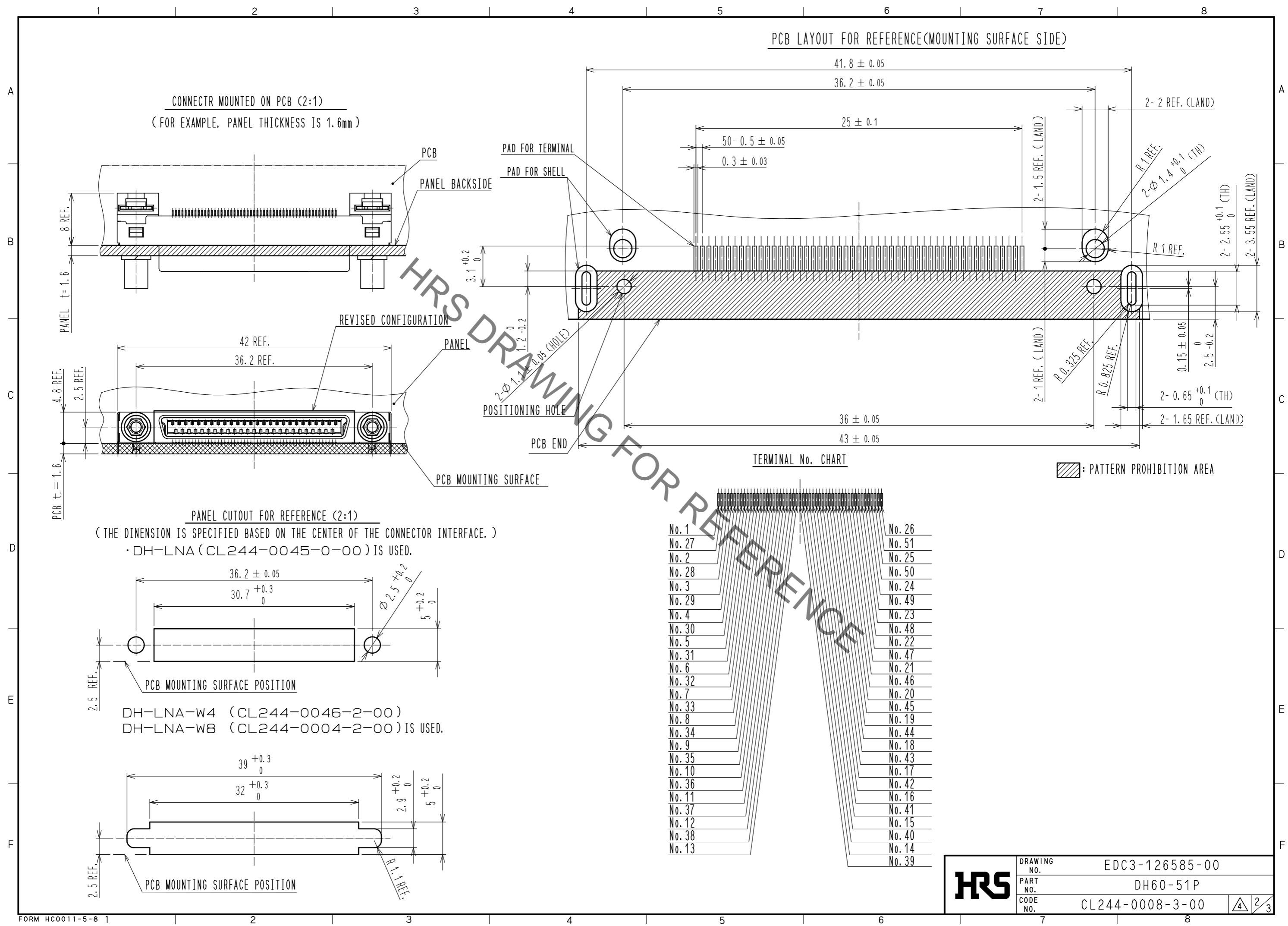
  

UNITS	SCALE	COUNT	DESCRIPTION OF REVISIONS	DESIGNED	CHECKED	DATE
mm	4 : 1	1	DIS-E-00002988	TA. TORIHARA	TU. TANIGUCHI	20200427

APPROVED	20091116	DRAWING NO.	EDC3-126585-00
KN. ICHIKAWA		PART NO.	DH60-51P
KN. ICHIKAWA	20091116	NO.	
MO. SHIMOYAMA	20091116	CODE NO.	CL244-0008-3-00
TM. ONO	20091113		

Aug.1.2021 Copyright 2021 HIROSE ELECTRIC CO., LTD. All Rights Reserved.  
 In case of consideration for using Automotive equipment / device which demand high reliability, kindly contact our sales window correspondents.



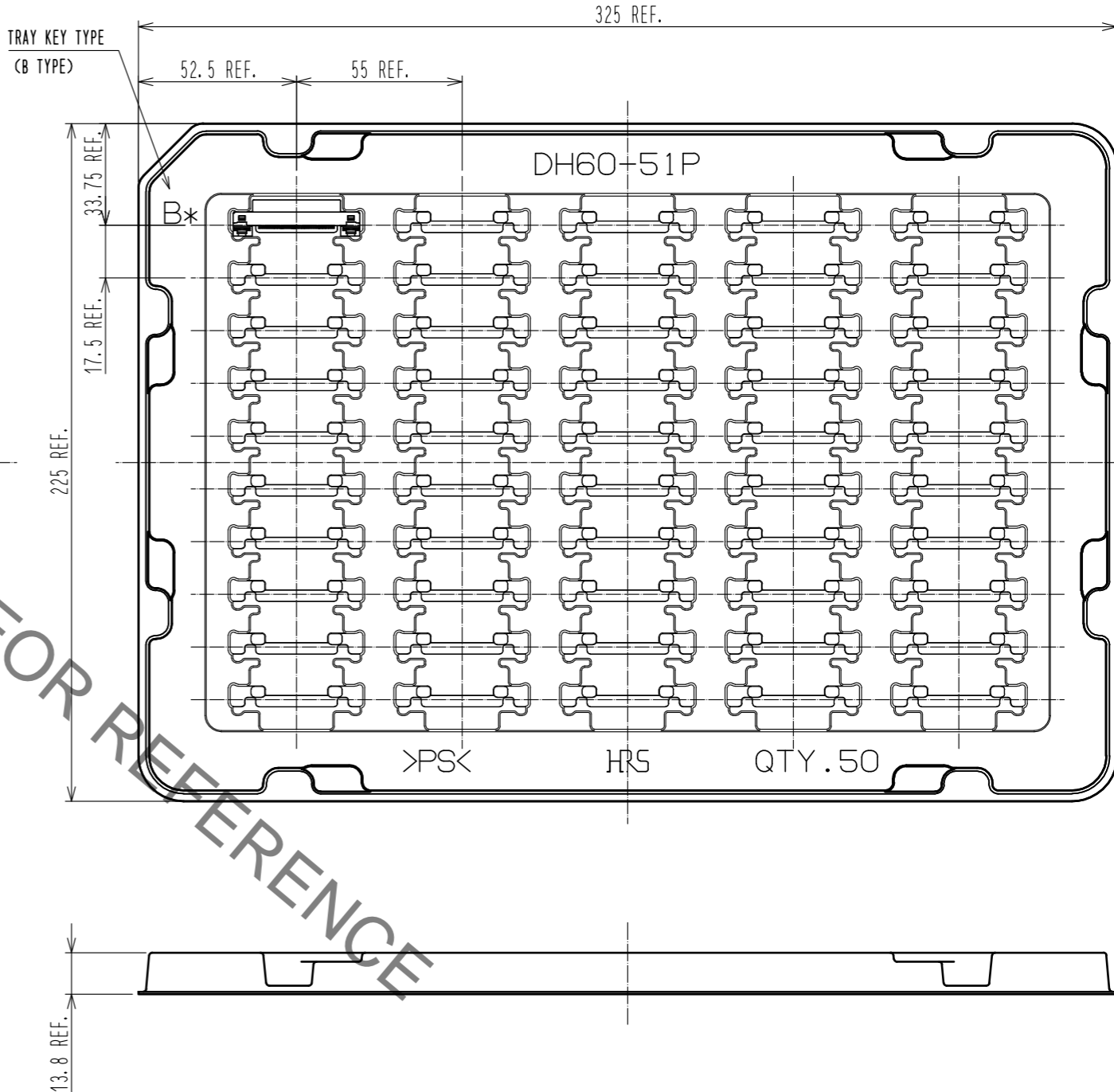
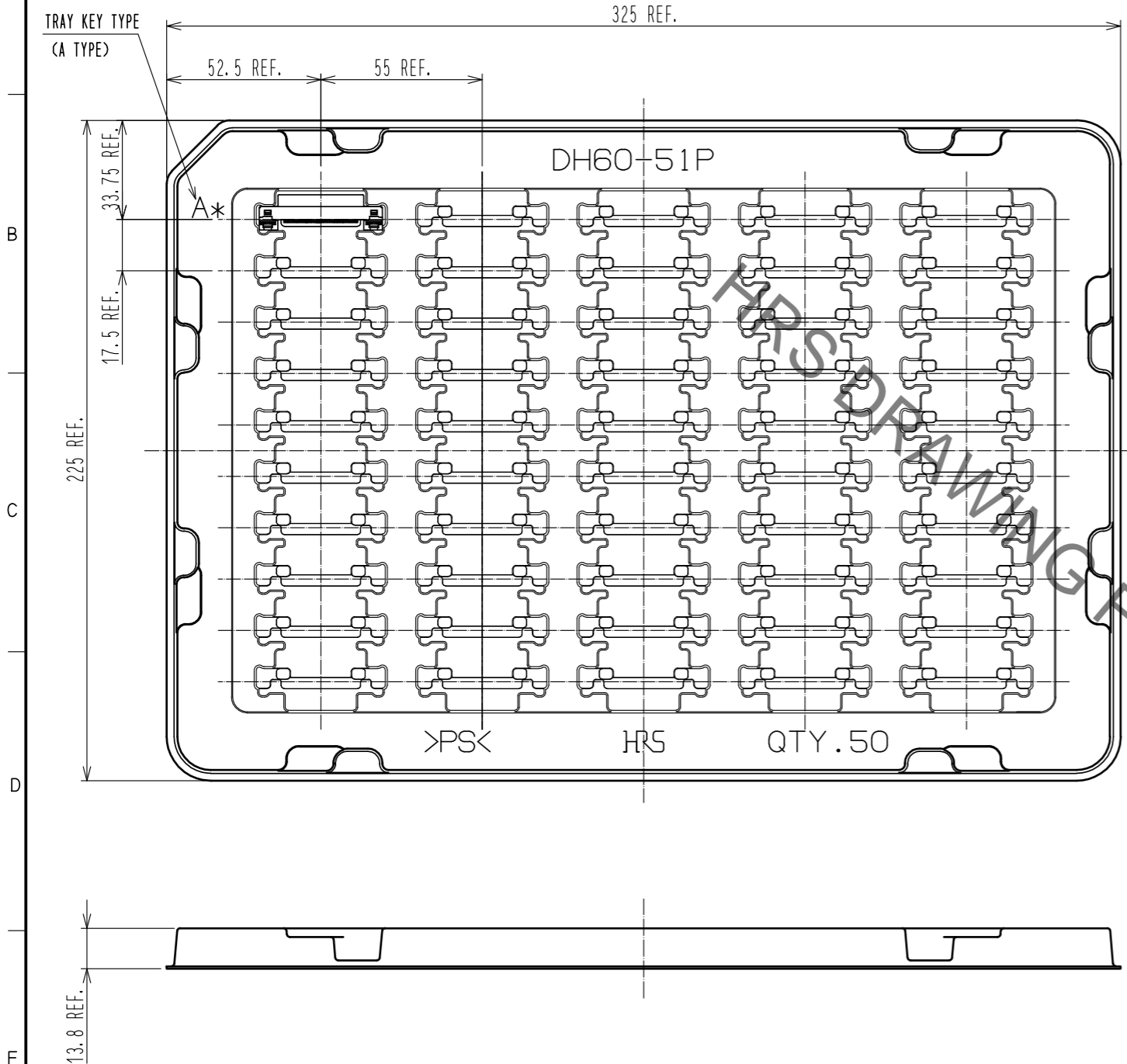
No. 1	No. 26
No. 27	No. 51
No. 2	No. 25
No. 28	No. 50
No. 3	No. 24
No. 29	No. 49
No. 4	No. 23
No. 30	No. 48
No. 5	No. 22
No. 31	No. 47
No. 6	No. 21
No. 32	No. 46
No. 7	No. 20
No. 33	No. 45
No. 8	No. 19
No. 34	No. 44
No. 9	No. 18
No. 35	No. 43
No. 10	No. 17
No. 36	No. 42
No. 11	No. 16
No. 37	No. 41
No. 12	No. 15
No. 38	No. 40
No. 13	No. 14
	No. 39

<b>HRS</b>	DRAWING NO.	EDC3-126585-00
	PART NO.	DH60-51P
	CODE NO.	CL244-0008-3-00
		4/2/3

Aug.1.2021 Copyright 2021 HIROSE ELECTRIC CO., LTD. All Rights Reserved.  
In case of consideration for using Automotive equipment / device which demand high reliability, kindly contact our sales window correspondents.

DRAWING FOR PACKING(1:2)

△ CHANGE TRAY SHAPE



※TRAYS. A TYPE AND B TYPE. ARE PILED UP ALTERNATELY.

<b>HRS</b>	DRAWING NO.	EDC3-126585-00
	PART NO.	DH60-51P
	CODE NO.	CL244-0008-3-00

△ 3/3

## X-ON Electronics

Largest Supplier of Electrical and Electronic Components

*Click to view similar products for [I/O Connectors](#) category:*

*Click to view products by [Hirose](#) manufacturer:*

Other Similar products are found below :

[571763P](#) [58098-0628](#) [72.250.1628.2](#) [72.250.2428.2](#) [74720-0505](#) [76.350.0729.0](#) [76871-1403](#) [FCN-244F080-G/1](#) [FCN-260A9920](#) [PCR-E36PM](#) [PCS-XE26MA+](#) [G38A71314B](#) [1571250010](#) [157-22500-3](#) [MS3471L14-19P L/C](#) [192991-0703](#) [172501-4002](#) [172501-6002](#) [FCN-260C008-A/L0](#) [FCN-260C024-AL0](#) [FCN-261Z008](#) [2000314-1](#) [200331-1](#) [PCR-E36FC+](#) [PCS-E28FS+](#) [PCS-XE26SLFD+](#) [PCS-XE26SLFDT+](#) [G730VID08BDC24](#) [U90B2054081210](#) [UE86K842720321](#) [38113800006](#) [DP3AR020WQ1R200](#) [Z4.102.0680.0](#) [500-1040](#) [500-1052](#) [500-1054](#) [ZP-4008-66L](#) [0709821002](#) [DX40-20P\(55\)](#) [5554841-1](#) [MS3474W18-8P-LC\\*](#) [SM3106F14S-7S-LC](#) [U90B3054061110](#) [U65-E04-4020](#) [ZPF000000000097891](#) [557-262M2-06C](#) [747360449](#) [10099439-003C-TRLF](#) [10137239-0021LF](#) [E9320-001-01](#)