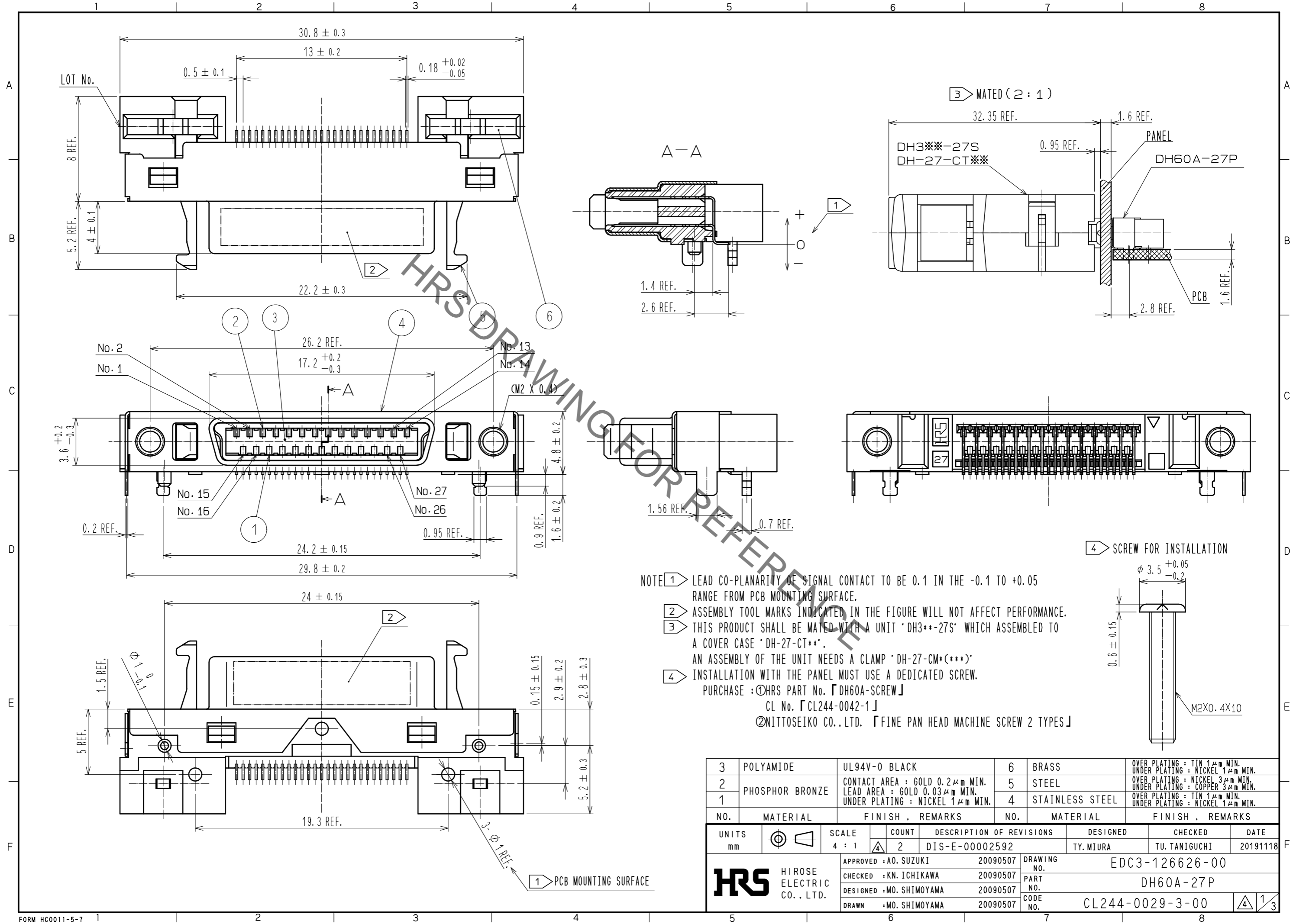
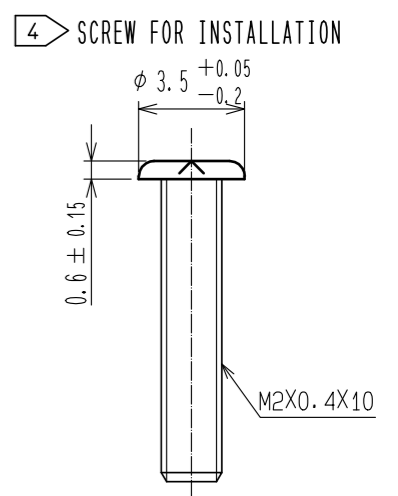


Sep.1.2021 Copyright 2021 HIROSE ELECTRIC CO., LTD. All Rights Reserved.
 In case of consideration for using Automotive equipment / device which demand high reliability, kindly contact our sales window correspondents.

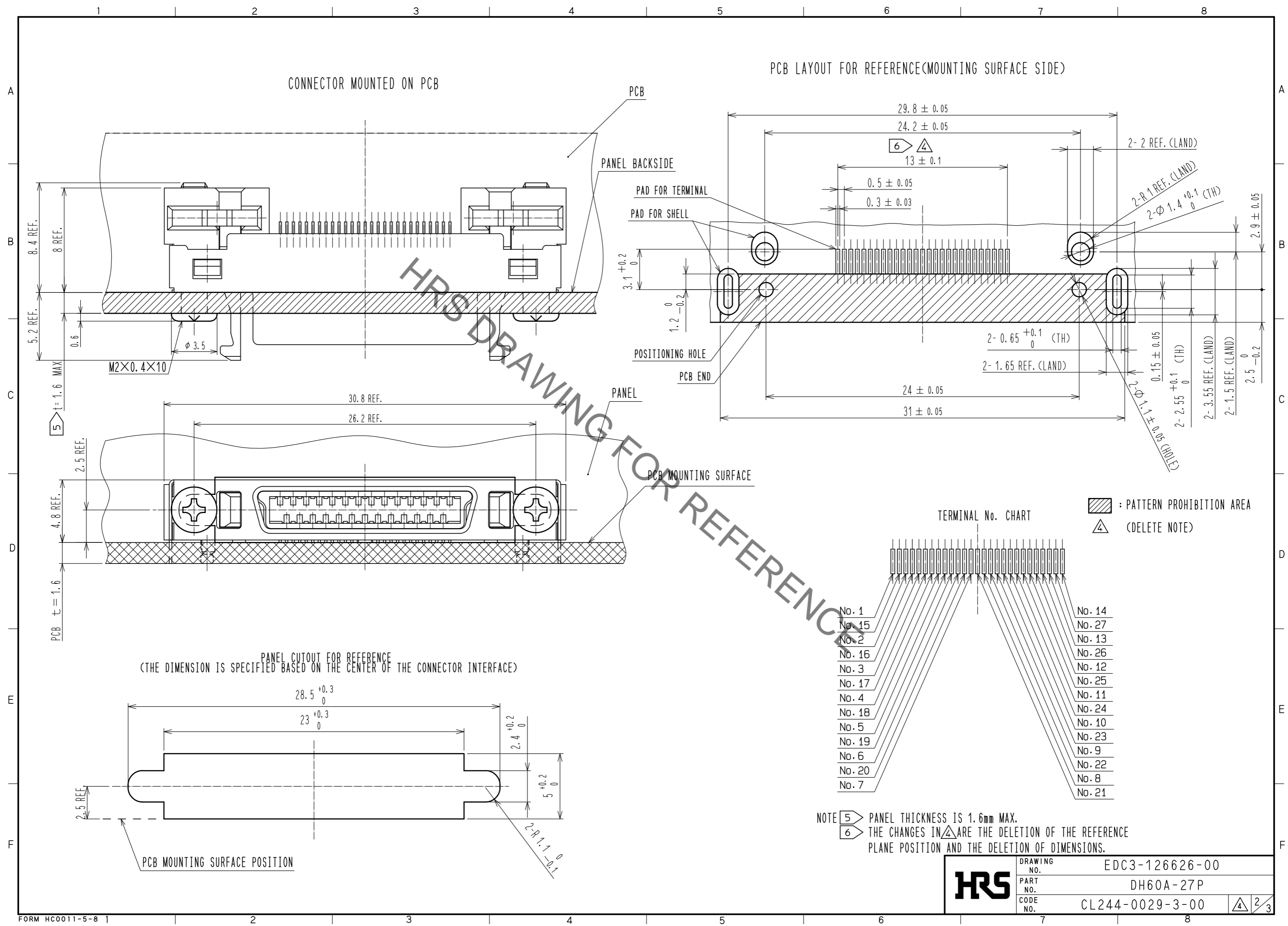


NOTE ① LEAD CO-PLANARITY OF SIGNAL CONTACT TO BE 0.1 IN THE -0.1 TO +0.05 RANGE FROM PCB MOUNTING SURFACE.
 ② ASSEMBLY TOOL MARKS INDICATED IN THE FIGURE WILL NOT AFFECT PERFORMANCE.
 ③ THIS PRODUCT SHALL BE MATED WITH A UNIT 'DH3**-27S' WHICH ASSEMBLED TO A COVER CASE 'DH-27-CT**'.
 AN ASSEMBLY OF THE UNIT NEEDS A CLAMP 'DH-27-CM*(***)'
 ④ INSTALLATION WITH THE PANEL MUST USE A DEDICATED SCREW.
 PURCHASE : ①HRS PART No. 「DH60A-SCREW」
 CL No. 「CL244-0042-1」
 ②NITTOSEIKO CO.,LTD. 「FINE PAN HEAD MACHINE SCREW 2 TYPES」



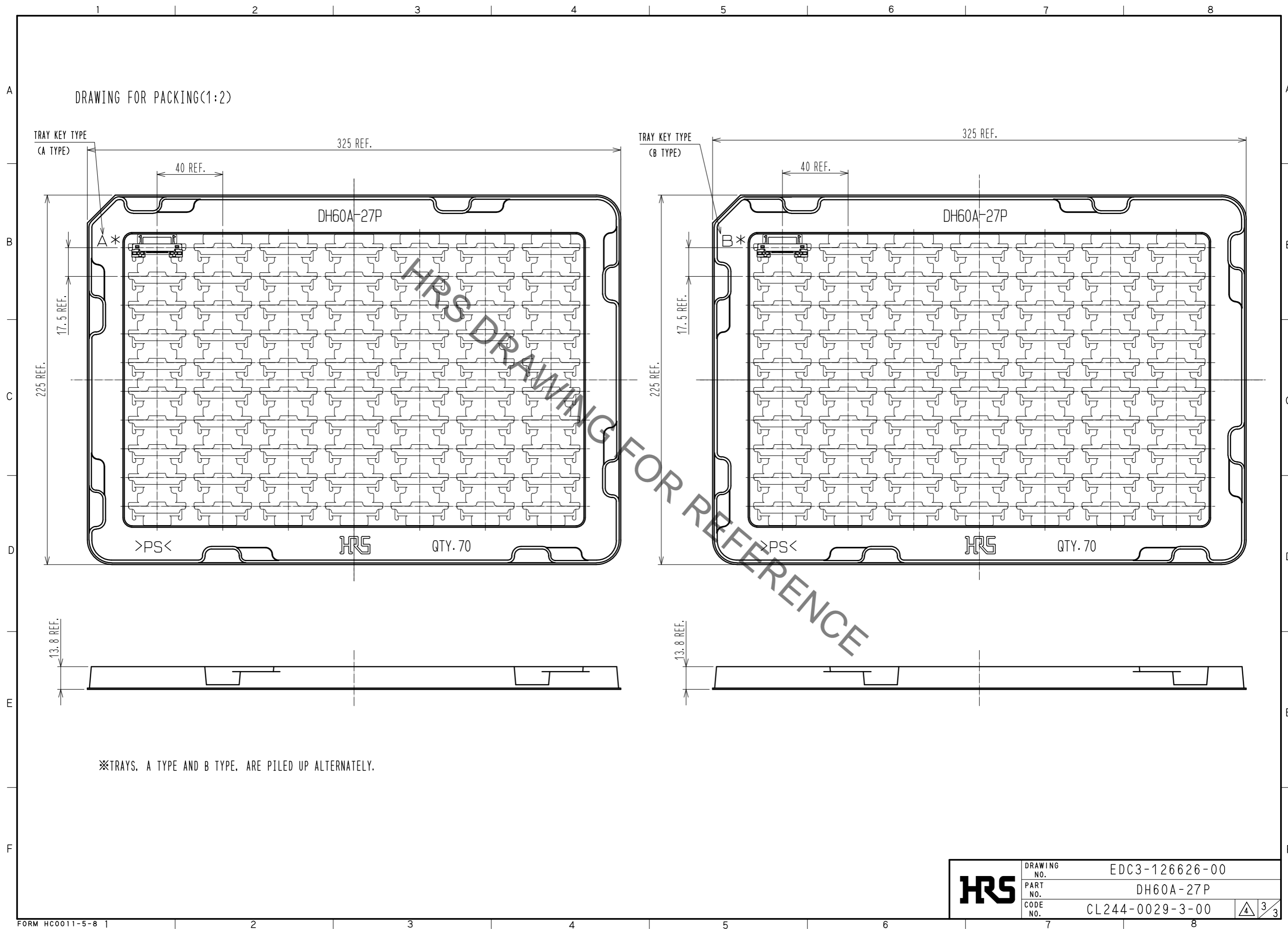
3	POLYAMIDE	UL94V-0 BLACK	6	BRASS	OVER PLATING : TIN 1 μ m MIN. UNDER PLATING : NICKEL 1 μ m MIN.
2	PHOSPHOR BRONZE	CONTACT AREA : GOLD 0.2 μ m MIN. LEAD AREA : GOLD 0.03 μ m MIN. UNDER PLATING : NICKEL 1 μ m MIN.	5	STEEL	OVER PLATING : NICKEL 3 μ m MIN. UNDER PLATING : COPPER 3 μ m MIN.
1			4	STAINLESS STEEL	OVER PLATING : TIN 1 μ m MIN. UNDER PLATING : NICKEL 1 μ m MIN.
NO.	MATERIAL	FINISH . REMARKS	NO.	MATERIAL	FINISH . REMARKS
UNITS mm		SCALE 4 : 1	COUNT 2	DESCRIPTION OF REVISIONS DIS-E-00002592	
APPROVED : A0. SUZUKI		20090507		DESIGNED TY. MIURA	CHECKED TU. TANIGUCHI
CHECKED : KN. ICHIKAWA		20090507		DATE 20191118	
DESIGNED : MO. SHIMOYAMA		20090507		DRAWING NO. EDC3-126626-00	
DRAWN : MO. SHIMOYAMA		20090507		PART NO. DH60A-27P	
HRS HIROSE ELECTRIC CO., LTD.				CODE NO. CL244-0029-3-00	

Sep.1.2021 Copyright 2021 HIROSE ELECTRIC CO., LTD. All Rights Reserved.
 In case of consideration for using Automotive equipment / device which demand high reliability, kindly contact our sales window correspondents.



HRS	DRAWING NO.	EDC3-126626-00
	PART NO.	DH60A-27P
	CODE NO.	CL244-0029-3-00
		2/3

Sep.1.2021 Copyright 2021 HIROSE ELECTRIC CO., LTD. All Rights Reserved.
In case of consideration for using Automotive equipment / device which demand high reliability, kindly contact our sales window correspondents.



X-ON Electronics

Largest Supplier of Electrical and Electronic Components

Click to view similar products for [I/O Connectors](#) category:

Click to view products by [Hirose](#) manufacturer:

Other Similar products are found below :

[571763P](#) [58098-0628](#) [72.250.1628.2](#) [72.250.2428.2](#) [74720-0505](#) [76.350.0729.0](#) [76871-1403](#) [FCN-244F080-G/1](#) [FCN-260A9920](#) [MP-5T180MUNNA-005](#) [PCR-E36PM](#) [PCS-XE26MA+](#) [G38A71314B](#) [1571250010](#) [157-22500-3](#) [MS3471L14-19P L/C](#) [192991-0703](#) [172501-4002](#) [172501-6002](#) [FCN-260C008-A/L0](#) [FCN-260C024-AL0](#) [FCN-261Z008](#) [2000314-1](#) [200331-1](#) [PCR-E36FC+](#) [PCS-E28FS+](#) [PCS-XE26SLFD+](#) [PCS-XE26SLFDT+](#) [G730VID08BDC24](#) [HDR-E14MSG1+](#) [U90B2054081210](#) [UE86K842720321](#) [38113800006](#)
[DP3AR020WQ1R200](#) [Z4.102.0680.0](#) [500-1040](#) [500-1052](#) [500-1054](#) [ZP-4008-66L](#) [0709821002](#) [DX40-20P\(55\)](#) [5554841-1](#) [MS3474W18-8P-LC*](#) [SM3106F14S-7S-LC](#) [U90B3054061110](#) [U65-E04-4020](#) [ZPF000000000097891](#) [557-262M2-06C](#) [747360449](#) [10099439-003C-TRLF](#)