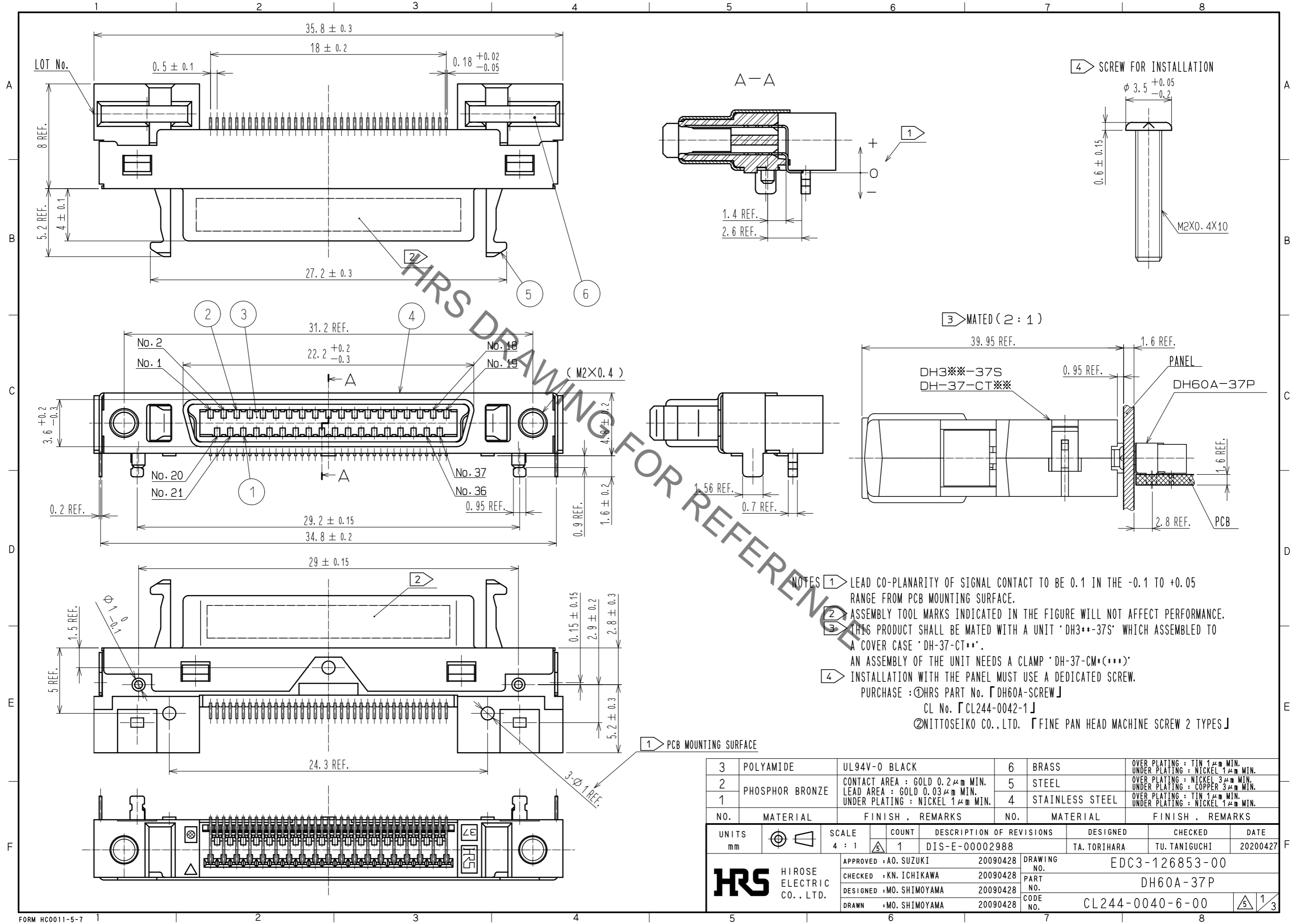


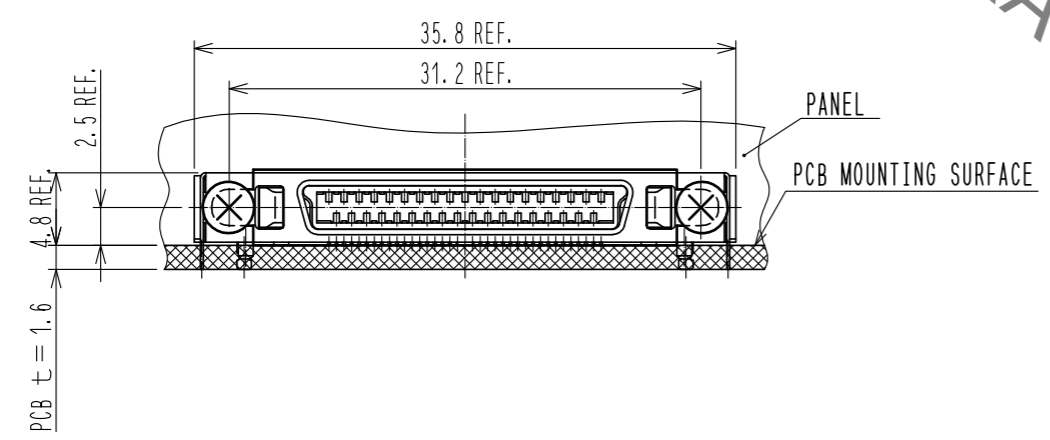
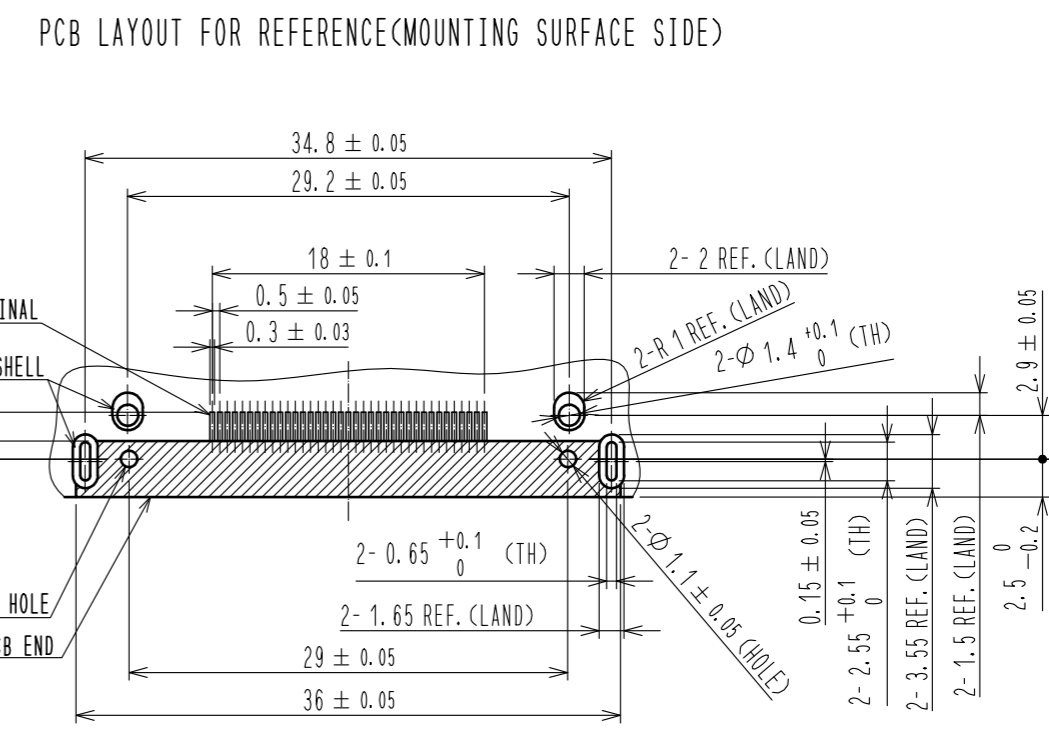
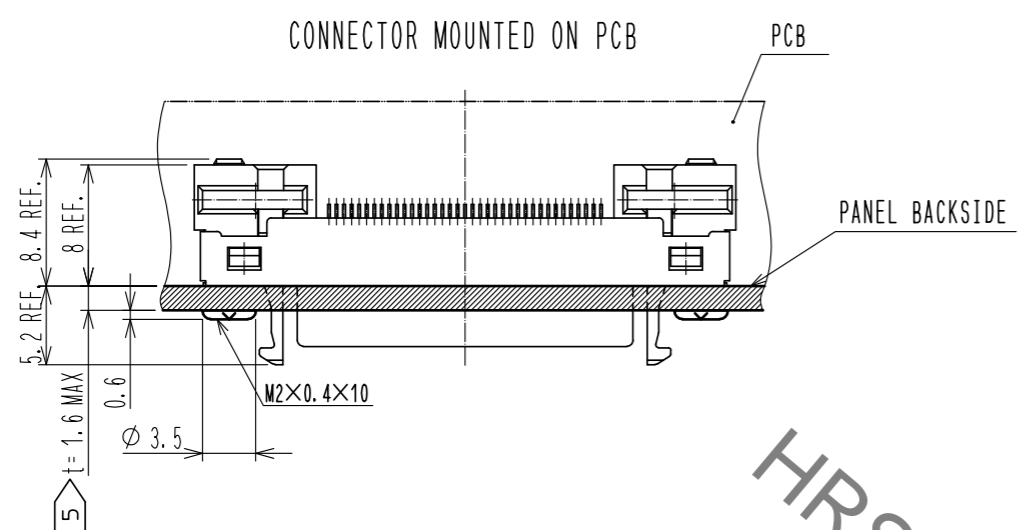
Sep.1.2021 Copyright 2021 HIROSE ELECTRIC CO., LTD. All Rights Reserved.
In case of consideration for using Automotive equipment / device which demand high reliability, kindly contact our sales window correspondents.



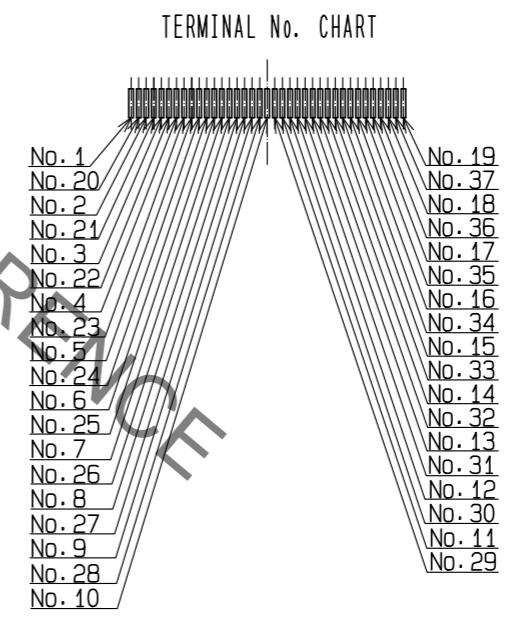
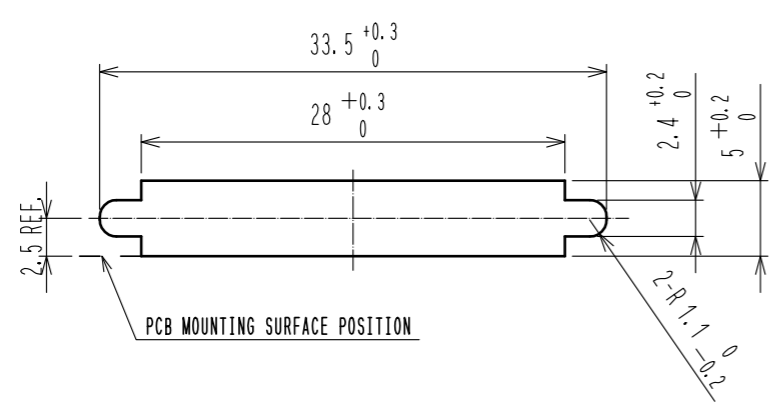
- NOTES
- ① LEAD CO-PLANARITY OF SIGNAL CONTACT TO BE 0.1 IN THE -0.1 TO +0.05 RANGE FROM PCB MOUNTING SURFACE.
 - ② ASSEMBLY TOOL MARKS INDICATED IN THE FIGURE WILL NOT AFFECT PERFORMANCE.
 - ③ THIS PRODUCT SHALL BE MATED WITH A UNIT 'DH3**-37S' WHICH ASSEMBLED TO A COVER CASE 'DH-37-CT**'.
 - ④ AN ASSEMBLY OF THE UNIT NEEDS A CLAMP 'DH-37-CM*(***)'.
- INSTALLATION WITH THE PANEL MUST USE A DEDICATED SCREW.
PURCHASE : ①HRS PART No. 「DH60A-SCREW」
CL No. 「CL244-0042-1」
②NITTOSEIKO CO.,LTD. 「FINE PAN HEAD MACHINE SCREW 2 TYPES」

3	POLYAMIDE	UL94V-0 BLACK	6	BRASS	OVER PLATING : TIN 1μm MIN. UNDER PLATING : NICKEL 1μm MIN.		
2	PHOSPHOR BRONZE	CONTACT AREA : GOLD 0.2μm MIN. LEAD AREA : GOLD 0.03μm MIN. UNDER PLATING : NICKEL 1μm MIN.	5	STEEL	OVER PLATING : NICKEL 3μm MIN. UNDER PLATING : COPPER 3μm MIN.		
1			4	STAINLESS STEEL	OVER PLATING : TIN 1μm MIN. UNDER PLATING : NICKEL 1μm MIN.		
NO.	MATERIAL	FINISH . REMARKS	NO.	MATERIAL	FINISH . REMARKS		
UNITS	mm	SCALE	COUNT	DESCRIPTION OF REVISIONS	DESIGNED	CHECKED	DATE
		4 : 1	1	DIS-E-00002988	TA. TORIHARA	TU. TANIGUCHI	20200427
APPROVED : A0. SUZUKI		20090428		DRAWING NO.		EDC3-126853-00	
CHECKED : KN. ICHIKAWA		20090428		PART NO.		DH60A-37P	
DESIGNED : MO. SHIMOYAMA		20090428		CODE NO.		CL244-0040-6-00	
DRAWN : MO. SHIMOYAMA		20090428				1/3	

Sep.1.2021 Copyright 2021 HIROSE ELECTRIC CO., LTD. All Rights Reserved.
 In case of consideration for using Automotive equipment / device which demand high reliability, kindly contact our sales window correspondents.



PANEL CUTOUT FOR REFERENCE
 (THE DIMENSION IS SPECIFIED BASED ON THE CENTER OF THE CONNECTOR INTERFACE)



▨ : PATTERN PROHIBITION AREA

NOTE 5 PANEL THICKNESS IS 1.6mm MAX.

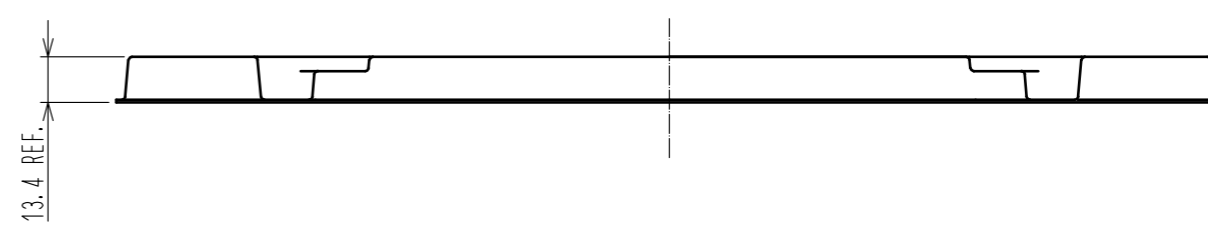
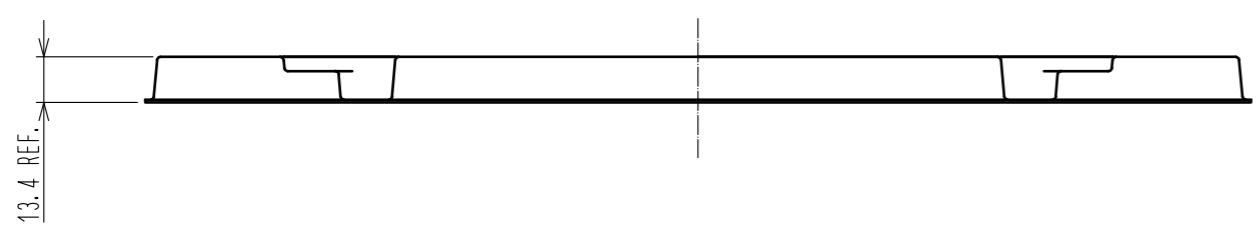
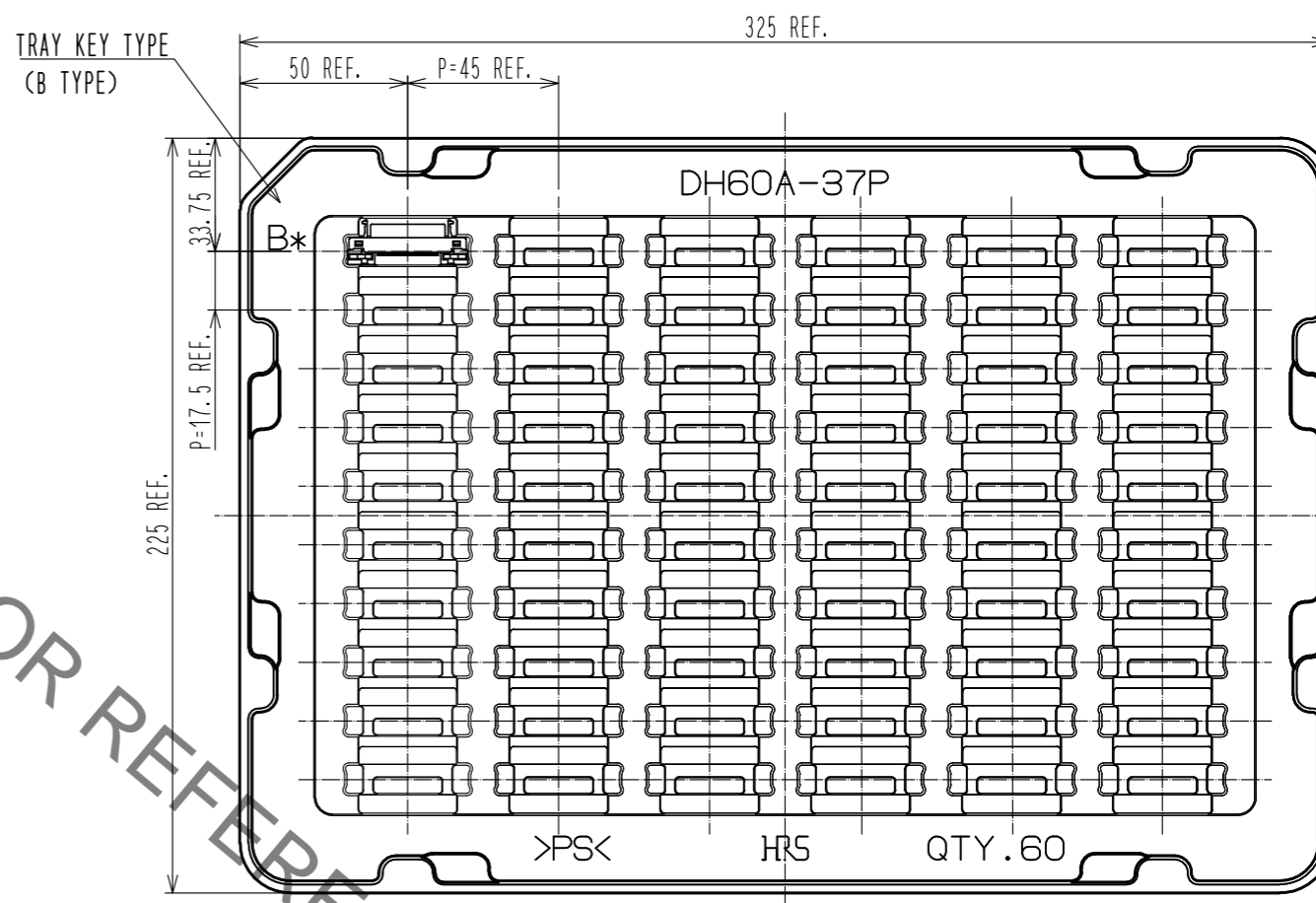
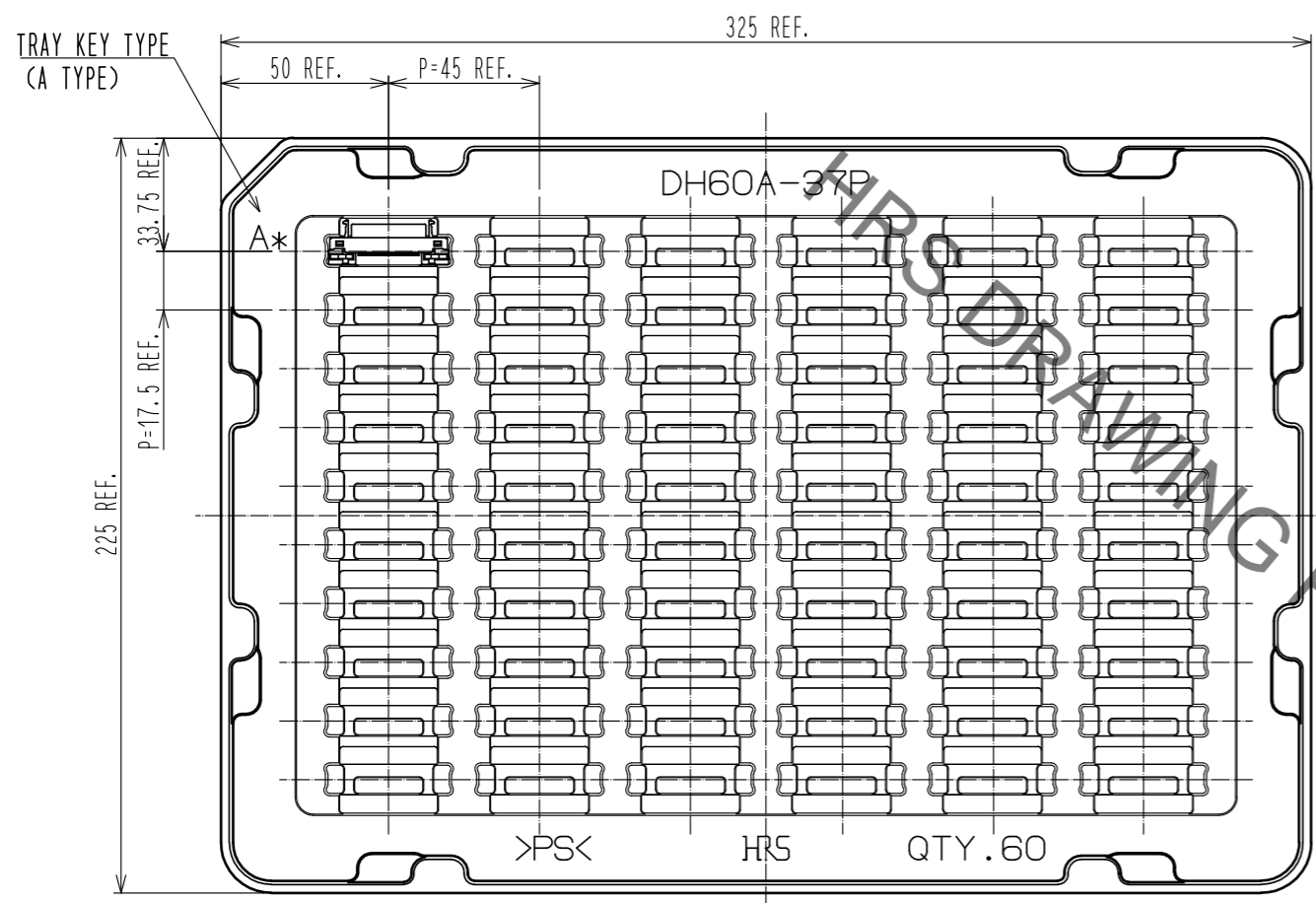
HRS DRAWING FOR REFERENCE

HRS	DRAWING NO.	EDC3-126853-00
	PART NO.	DH60A-37P
	CODE NO.	CL244-0040-6-00
		5/23

Sep.1.2021 Copyright 2021 HIROSE ELECTRIC CO., LTD. All Rights Reserved.
In case of consideration for using Automotive equipment / device which demand high reliability, kindly contact our sales window correspondents.


DRAWING FOR PACKING(FREE)

 CHANGE TRAY SHAPE



※TRAYS. A TYPE AND B TYPE, ARE PILED UP ALTERNATELY.

HRS	DRAWING NO.	EDC3-126853-00
	PART NO.	DH60A-37P
	CODE NO.	CL244-0040-6-00

 3/3

X-ON Electronics

Largest Supplier of Electrical and Electronic Components

Click to view similar products for [I/O Connectors](#) category:

Click to view products by [Hirose](#) manufacturer:

Other Similar products are found below :

[571763P](#) [58098-0628](#) [72.250.1628.2](#) [72.250.2428.2](#) [74720-0505](#) [76.350.0729.0](#) [76871-1403](#) [FCN-244F080-G/1](#) [FCN-260A9920](#) [PCR-E36PM](#) [PCS-XE26MA+](#) [G38A71314B](#) [1571250010](#) [157-22500-3](#) [MS3471L14-19P L/C](#) [192991-0703](#) [172501-4002](#) [172501-6002](#) [FCN-260C008-A/L0](#) [FCN-260C024-AL0](#) [FCN-261Z008](#) [2000314-1](#) [200331-1](#) [PCR-E36FC+](#) [PCS-E28FS+](#) [PCS-XE26SLFD+](#) [PCS-XE26SLFDT+](#) [G730VID08BDC24](#) [U90B2054081210](#) [UE86K842720321](#) [38113800006](#) [DP3AR020WQ1R200](#) [Z4.102.0680.0](#) [500-1040](#) [500-1052](#) [500-1054](#) [ZP-4008-66L](#) [0709821002](#) [DX40-20P\(55\)](#) [5554841-1](#) [MS3474W18-8P-LC*](#) [SM3106F14S-7S-LC](#) [U90B3054061110](#) [U65-E04-4020](#) [ZPF000000000097891](#) [557-262M2-06C](#) [747360449](#) [10099439-003C-TRLF](#) [10137239-0021LF](#) [E9320-001-01](#)