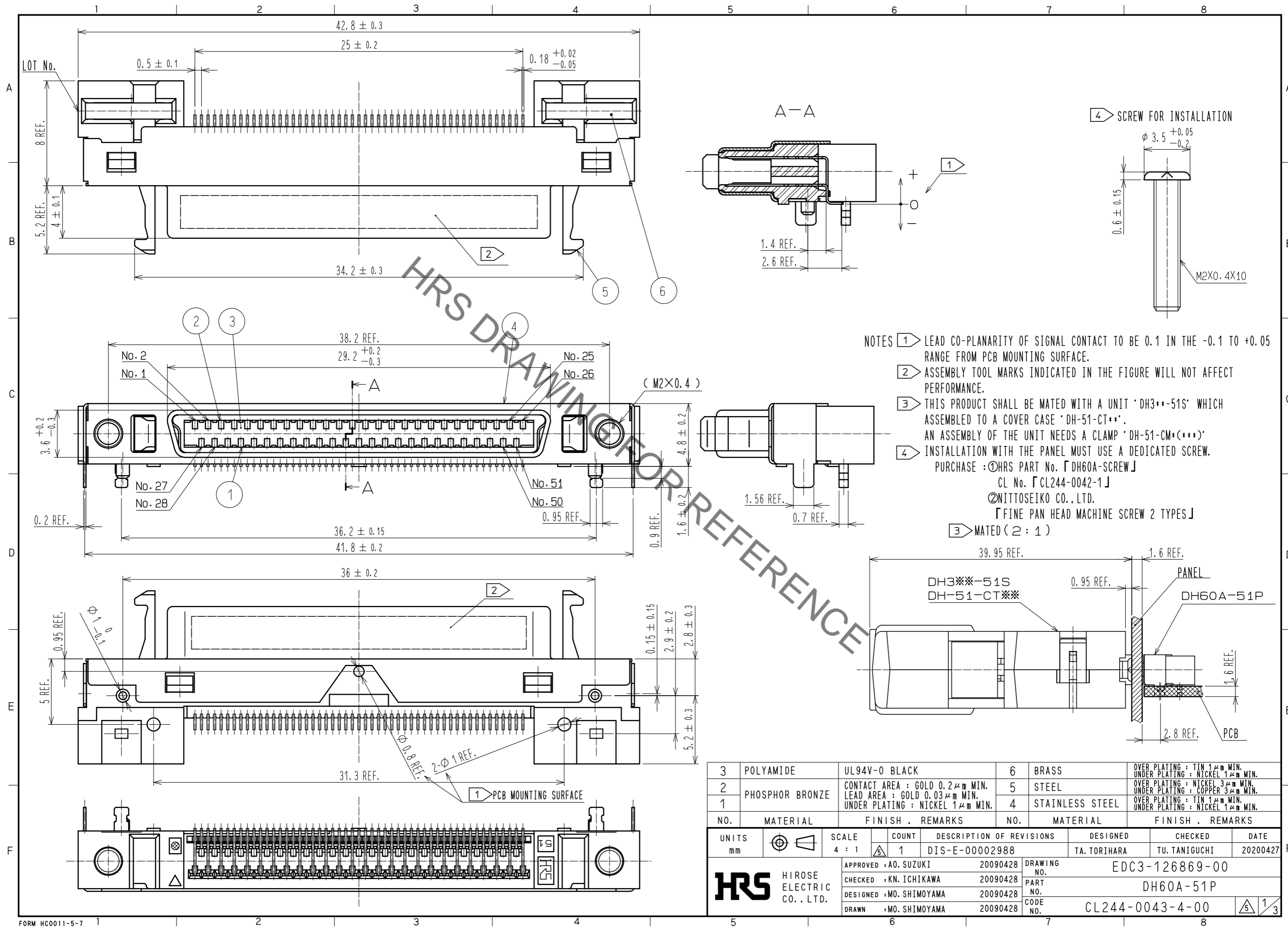


Sep.1.2021 Copyright 2021 HIROSE ELECTRIC CO., LTD. All Rights Reserved.
In case of consideration for using Automotive equipment / device which demand high reliability, kindly contact our sales window correspondents.

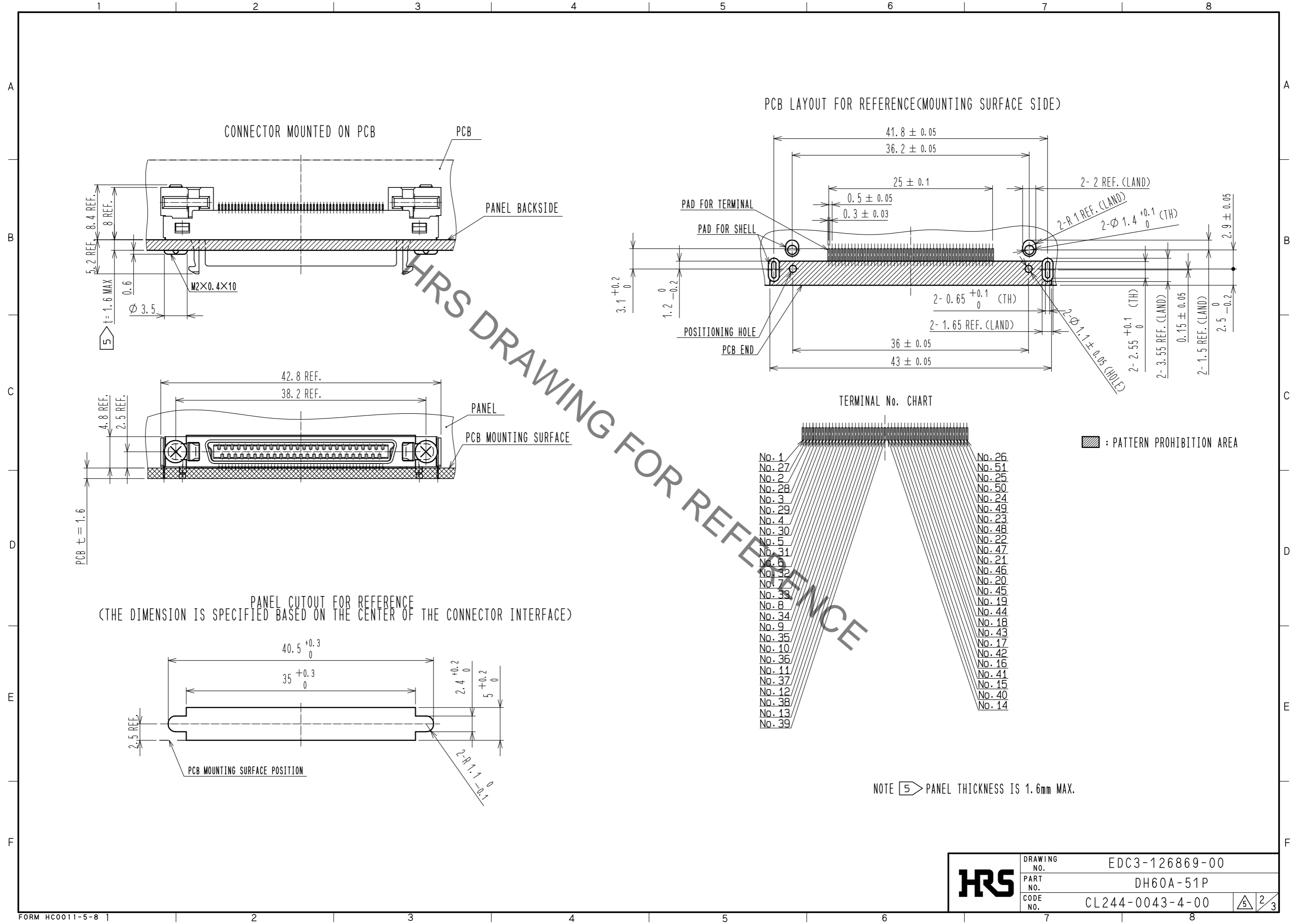


NO.	MATERIAL	FINISH . REMARKS	NO.	MATERIAL	FINISH . REMARKS
3	POLYAMIDE	UL94V-0 BLACK	6	BRASS	OVER PLATING : TIN 1 μm MIN. UNDER PLATING : NICKEL 1 μm MIN.
2	PHOSPHOR BRONZE	CONTACT AREA : GOLD 0.2 μm MIN. LEAD AREA : GOLD 0.03 μm MIN. UNDER PLATING : NICKEL 1 μm MIN.	5	STEEL	OVER PLATING : NICKEL 3 μm MIN. UNDER PLATING : COPPER 3 μm MIN.
1	PHOSPHOR BRONZE	CONTACT AREA : GOLD 0.2 μm MIN. LEAD AREA : GOLD 0.03 μm MIN. UNDER PLATING : NICKEL 1 μm MIN.	4	STAINLESS STEEL	OVER PLATING : TIN 1 μm MIN. UNDER PLATING : NICKEL 1 μm MIN.

UNITS	SCALE	COUNT	DESCRIPTION OF REVISIONS	DESIGNED	CHECKED	DATE
mm	4 : 1	1	DIS-E-00002988	TA. TORIHARA	TU. TANIGUCHI	20200427

APPROVED	CHECKED	DESIGNED	DRAWN	DRAWING NO.	PART NO.	CODE NO.
A0. SUZUKI	KN. ICHIKAWA	MO. SHIMOYAMA	MO. SHIMOYAMA	EDC3-126869-00	DH60A-51P	CL244-0043-4-00
20090428	20090428	20090428	20090428			

Sep.1.2021 Copyright 2021 HIROSE ELECTRIC CO., LTD. All Rights Reserved.
In case of consideration for using Automotive equipment / device which demand high reliability, kindly contact our sales window correspondents.

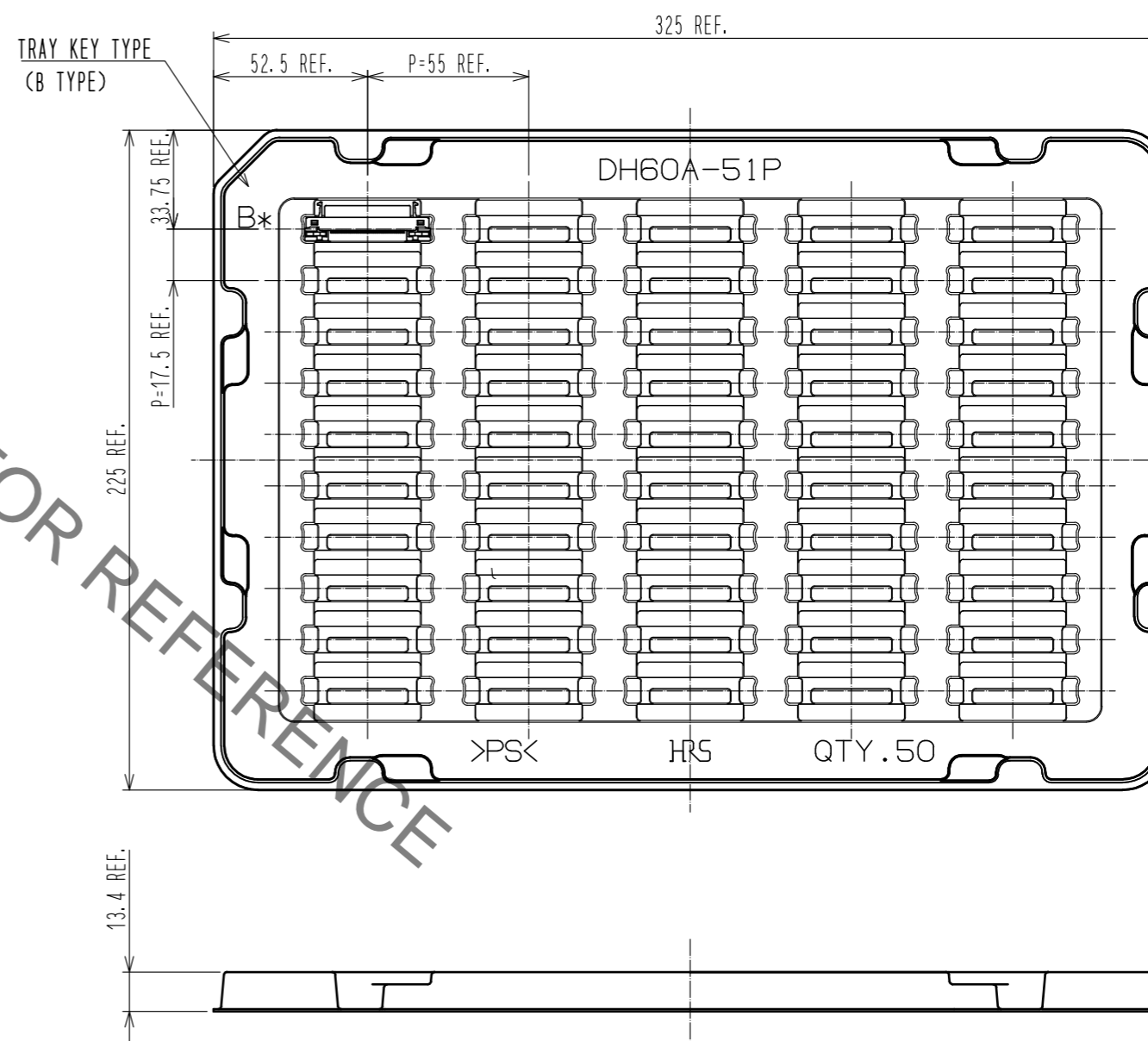
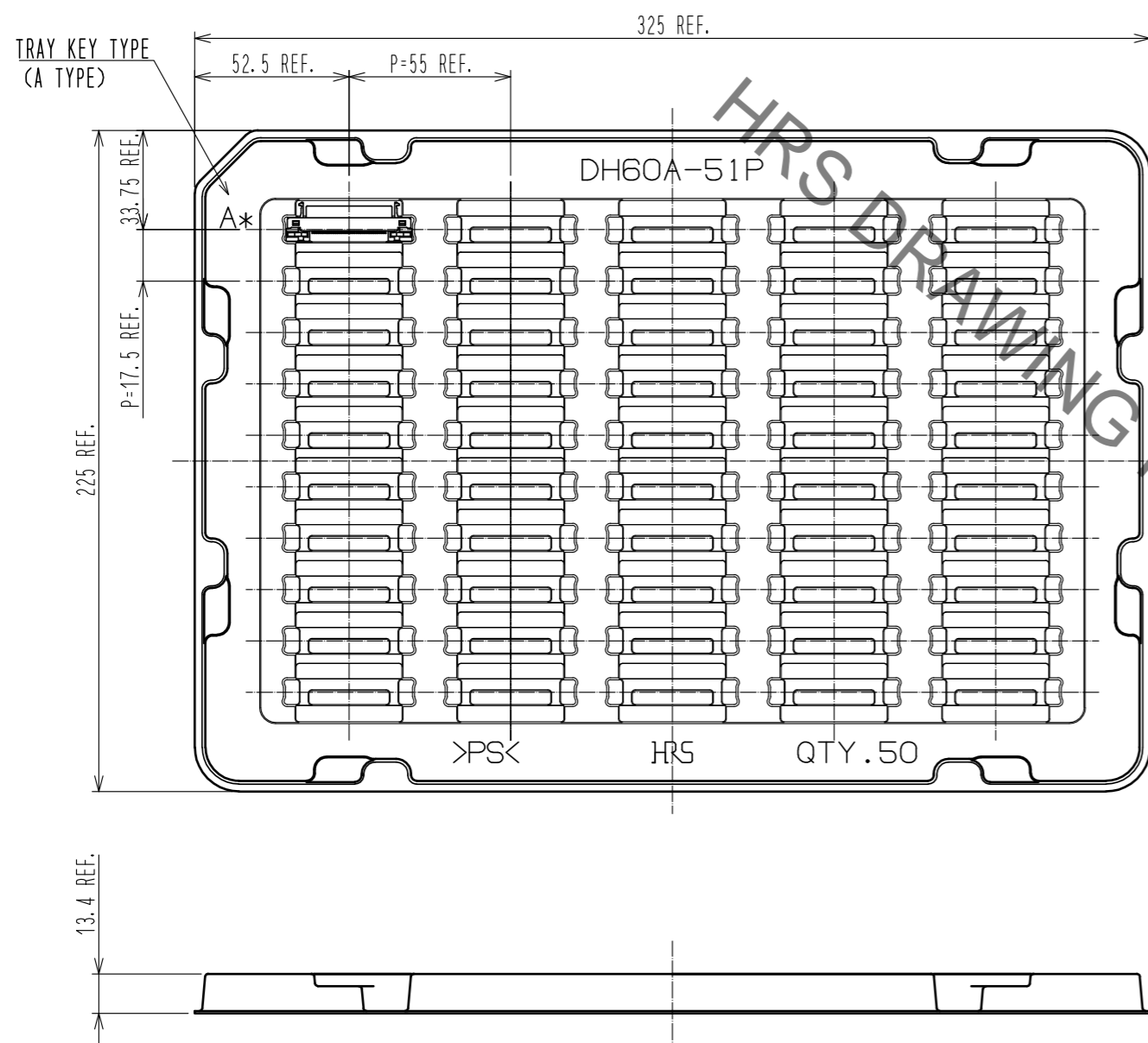


HRS	DRAWING NO.	EDC3-126869-00
	PART NO.	DH60A-51P
	CODE NO.	CL244-0043-4-00

Sep.1.2021 Copyright 2021 HIROSE ELECTRIC CO., LTD. All Rights Reserved.
 In case of consideration for using Automotive equipment / device which demand high reliability, kindly contact our sales window correspondents.

DRAWING FOR PACKING(FREE)

△ CHANGE TRAY SHAPE



※TRAYS. A TYPE AND B TYPE. ARE PILED UP ALTERNATELY.

HRS	DRAWING NO.	EDC3-126869-00
	PART NO.	DH60A-51P
	CODE NO.	CL244-0043-4-00

△ 3/3

X-ON Electronics

Largest Supplier of Electrical and Electronic Components

Click to view similar products for [I/O Connectors](#) category:

Click to view products by [Hirose](#) manufacturer:

Other Similar products are found below :

[571763P](#) [58098-0628](#) [72.250.1628.2](#) [72.250.2428.2](#) [74720-0505](#) [76.350.0729.0](#) [76871-1403](#) [FCN-244F080-G/1](#) [FCN-260A9920](#) [PCR-E36PM](#) [PCS-XE26MA+](#) [G38A71314B](#) [1571250010](#) [157-22500-3](#) [MS3471L14-19P L/C](#) [192991-0703](#) [172501-4002](#) [172501-6002](#) [FCN-260C008-A/L0](#) [FCN-260C024-AL0](#) [FCN-261Z008](#) [2000314-1](#) [200331-1](#) [PCR-E36FC+](#) [PCS-E28FS+](#) [PCS-XE26SLFD+](#) [PCS-XE26SLFDT+](#) [G730VID08BDC24](#) [U90B2054081210](#) [UE86K842720321](#) [38113800006](#) [DP3AR020WQ1R200](#) [Z4.102.0680.0](#) [500-1040](#) [500-1052](#) [500-1054](#) [ZP-4008-66L](#) [0709821002](#) [DX40-20P\(55\)](#) [5554841-1](#) [MS3474W18-8P-LC*](#) [SM3106F14S-7S-LC](#) [U90B3054061110](#) [U65-E04-4020](#) [ZPF000000000097891](#) [557-262M2-06C](#) [747360449](#) [10099439-003C-TRLF](#) [10137239-0021LF](#) [E9320-001-01](#)