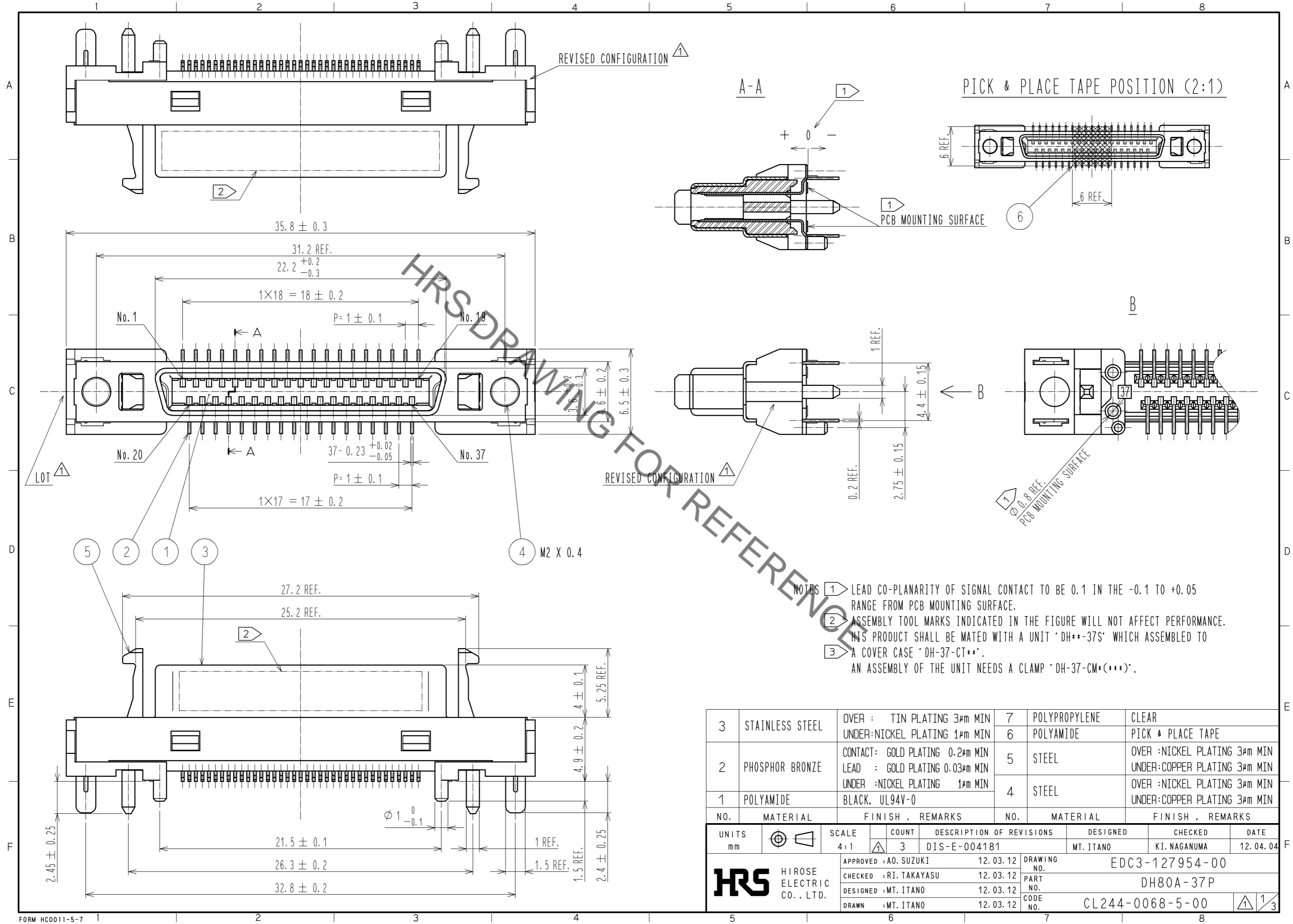


Sep.1.2021 Copyright 2021 HIROSE ELECTRIC CO., LTD. All Rights Reserved.
 In case of consideration for using Automotive equipment / device which demand high reliability, kindly contact our sales window correspondents.

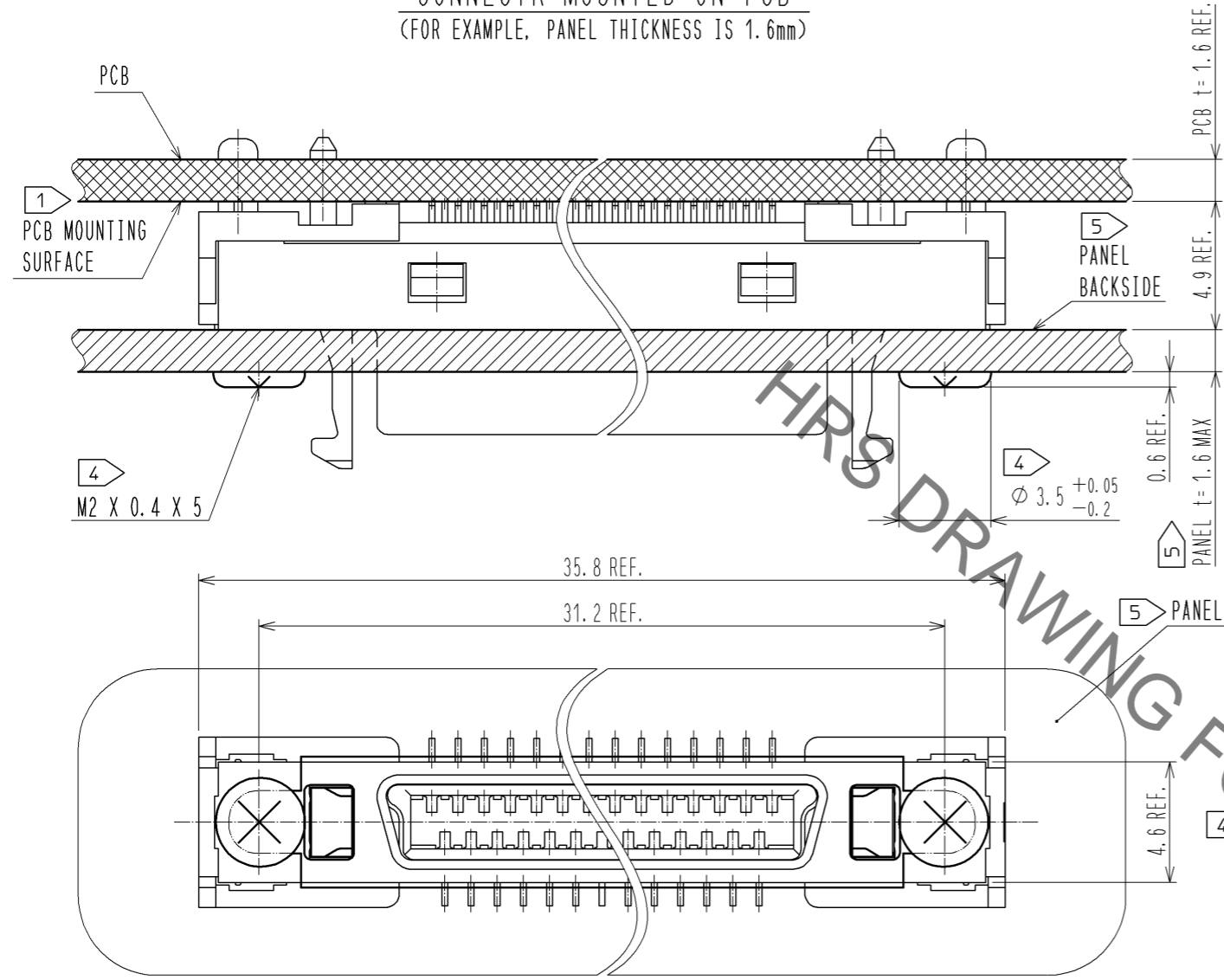


NO.	MATERIAL	FINISH . REMARKS	NO.	MATERIAL	FINISH . REMARKS
3	STAINLESS STEEL	OVER : TIN PLATING 3µm MIN UNDER: NICKEL PLATING 1µm MIN	7	POLYPROPYLENE	CLEAR
2	PHOSPHOR BRONZE	CONTACT: GOLD PLATING 0.2µm MIN LEAD : GOLD PLATING 0.03µm MIN UNDER : NICKEL PLATING 1µm MIN	6	POLYAMIDE	PICK & PLACE TAPE
1	POLYAMIDE	BLACK, UL94V-0	5	STEEL	OVER : NICKEL PLATING 3µm MIN UNDER: COPPER PLATING 3µm MIN
			4	STEEL	OVER : NICKEL PLATING 3µm MIN UNDER: COPPER PLATING 3µm MIN

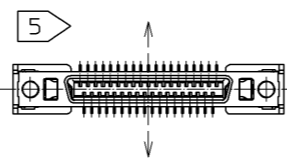
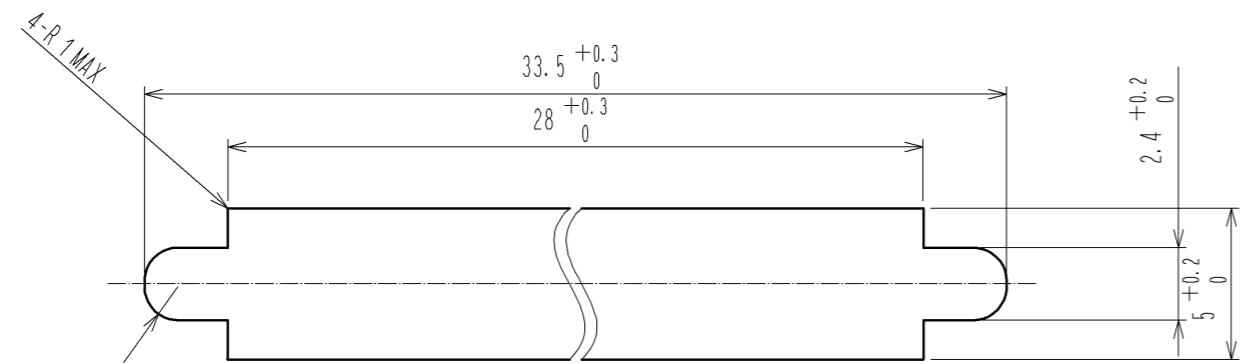
UNITS	SCALE	COUNT	DESCRIPTION OF REVISIONS	DESIGNED	CHECKED	DATE
mm	4:1	3	DIS-E-004181	MT. ITANO	KI. NAGANUMA	12.04.04
APPROVED : A0. SUZUKI		12.03.12	DRAWING NO.		EDC3-127954-00	
CHECKED : RI. TAKAYASU		12.03.12	PART NO.		DH80A-37P	
DESIGNED : MT. ITANO		12.03.12	CODE NO.		CL244-0068-5-00	
DRAWN : MT. ITANO		12.03.12				

Sep.1.2021 Copyright 2021 HIROSE ELECTRIC CO., LTD. All Rights Reserved.
 In case of consideration for using Automotive equipment / device which demand high reliability, kindly contact our sales window correspondents.

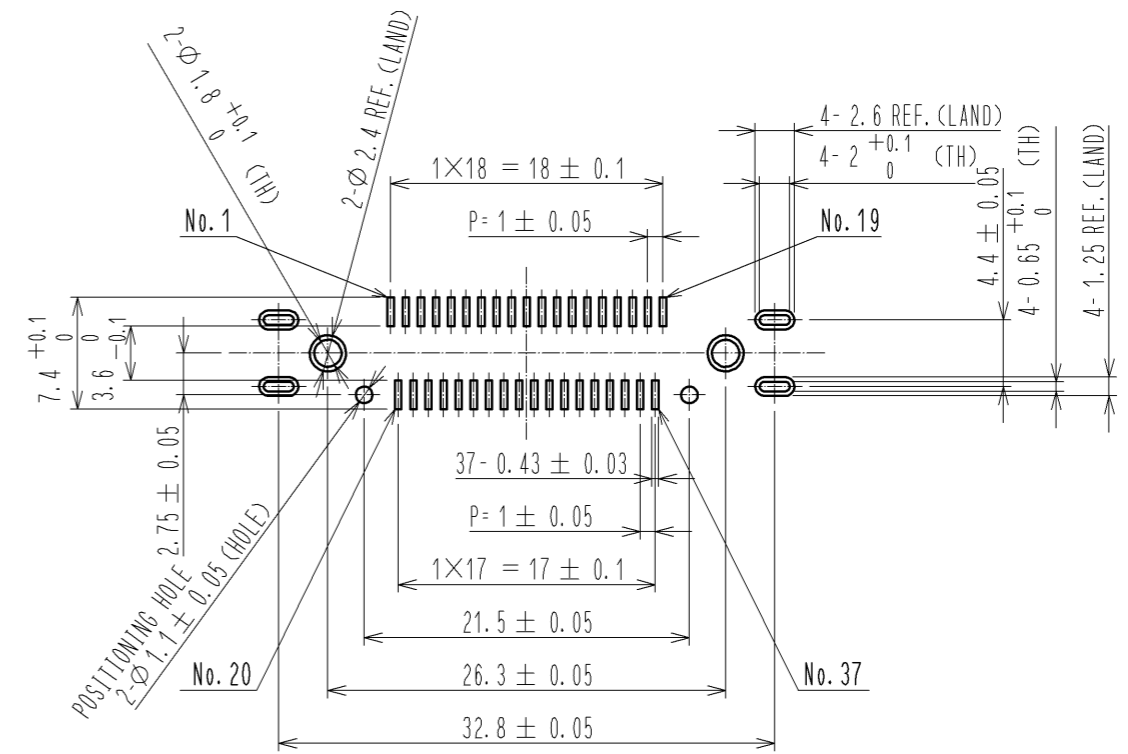
CONNECTR MOUNTED ON PCB
 (FOR EXAMPLE, PANEL THICKNESS IS 1.6mm)



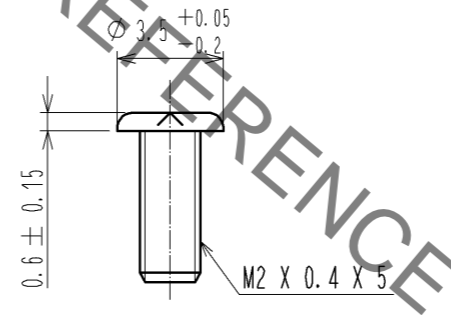
5 PANEL CUTOUT FOR REFERENCE



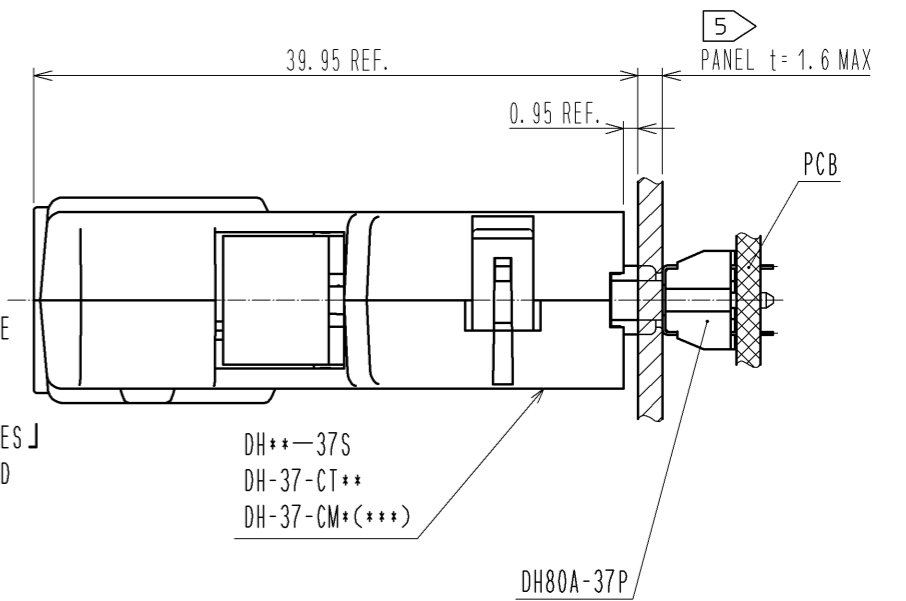
PCB LAYOUT FOR REFERENCE (MOUNTING SURFACE SIDE) (2:1)



4 SCREW FOR INSTALLATION



MATED (2:1)



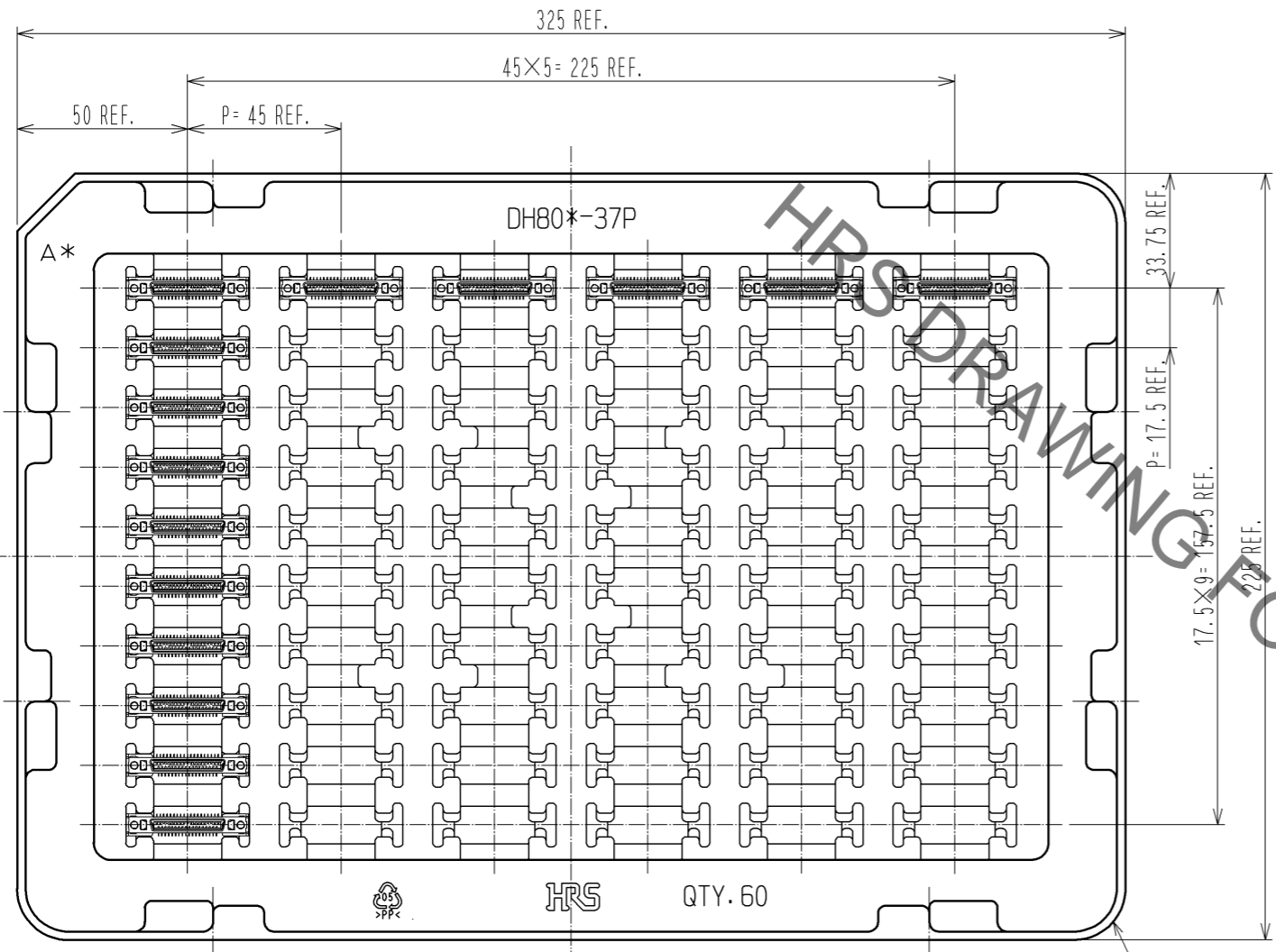
- NOTES**
- 4 INSTALLATION WITH THE PANEL MUST USE A DEDICATED SCREW.
 PURCHASE :NITTOSEIKO CO.,LTD.
 [FINE PAN HEAD MACHINE SCREW 2 TYPES]
 - 5 THIS PRODUCT WAS DESIGNED TO BE USED WITH FIXED ONTO A PANEL.
 IN THE CASE THE PLUG IS MATED UNDER UN-FIXED CONDITION AND ADDED STRONG LOAD ON INDICATED DIRECTION, IT HAS A RISK OF BEING PEELED OFF FROM PCB. THEN PLEASE TAKE CARE ON HANDLING WHEN YOU USE IT UNDER THE CONDITION BY FIXING IT ONTO HOUSING OR THE OTHER WAYS.
 PANEL SIZE SHOULD USE 1.6 MM MAX.

HRS	DRAWING NO.	EDC3-127954-00
	PART NO.	DH80A-37P
	CODE NO.	CL244-0068-5-00
		2/3

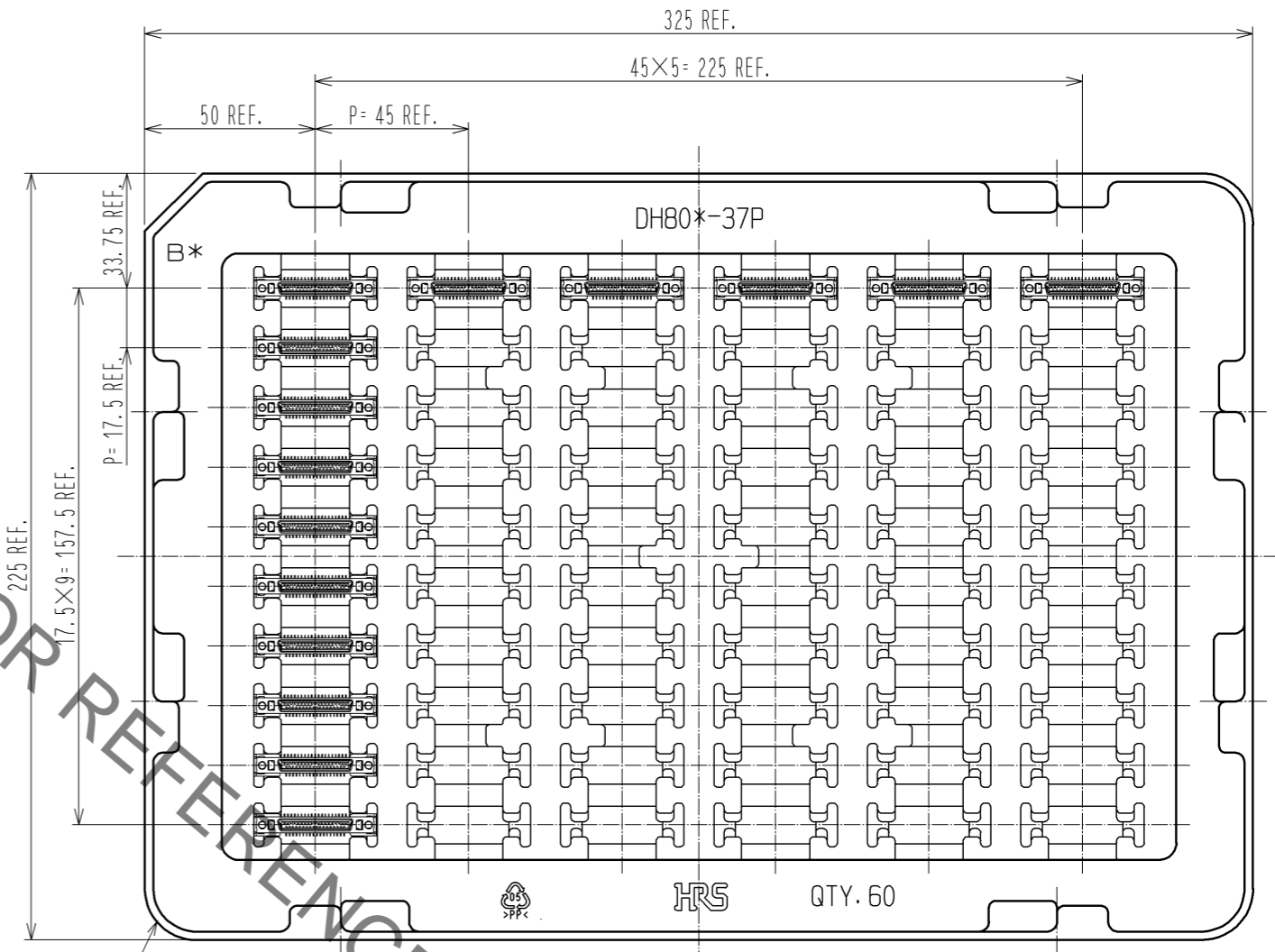
Sep.1.2021 Copyright 2021 HIROSE ELECTRIC CO., LTD. All Rights Reserved.
In case of consideration for using Automotive equipment / device which demand high reliability, kindly contact our sales window correspondents.

DRAWING FOR PACKING (FREE)

A TYPE



B TYPE



※TRAYS, A TYPE AND B TYPE, ARE PILED UP ALTERNATELY.

HRS	DRAWING NO.	EDC3-127954-00
	PART NO.	DH80A-37P
	CODE NO.	CL244-0068-5-00
		3/3

X-ON Electronics

Largest Supplier of Electrical and Electronic Components

Click to view similar products for [I/O Connectors](#) category:

Click to view products by [Hirose](#) manufacturer:

Other Similar products are found below :

[571763P](#) [58098-0628](#) [72.250.1628.2](#) [72.250.2428.2](#) [74720-0505](#) [76.350.0729.0](#) [76871-1403](#) [FCN-244F080-G/1](#) [FCN-260A9920](#) [PCR-E36PM](#) [PCS-XE26MA+](#) [G38A71314B](#) [1571250010](#) [157-22500-3](#) [MS3471L14-19P L/C](#) [192991-0703](#) [172501-4002](#) [172501-6002](#) [FCN-260C008-A/L0](#) [FCN-260C024-AL0](#) [FCN-261Z008](#) [2000314-1](#) [200331-1](#) [PCR-E36FC+](#) [PCS-E28FS+](#) [PCS-XE26SLFD+](#) [PCS-XE26SLFDT+](#) [G730VID08BDC24](#) [U90B2054081210](#) [UE86K842720321](#) [38113800006](#) [DP3AR020WQ1R200](#) [Z4.102.0680.0](#) [500-1040](#) [500-1052](#) [500-1054](#) [ZP-4008-66L](#) [0709821002](#) [DX40-20P\(55\)](#) [5554841-1](#) [MS3474W18-8P-LC*](#) [SM3106F14S-7S-LC](#) [U90B3054061110](#) [U65-E04-4020](#) [ZPF000000000097891](#) [557-262M2-06C](#) [747360449](#) [10099439-003C-TRLF](#) [10137239-0021LF](#) [E9320-001-01](#)