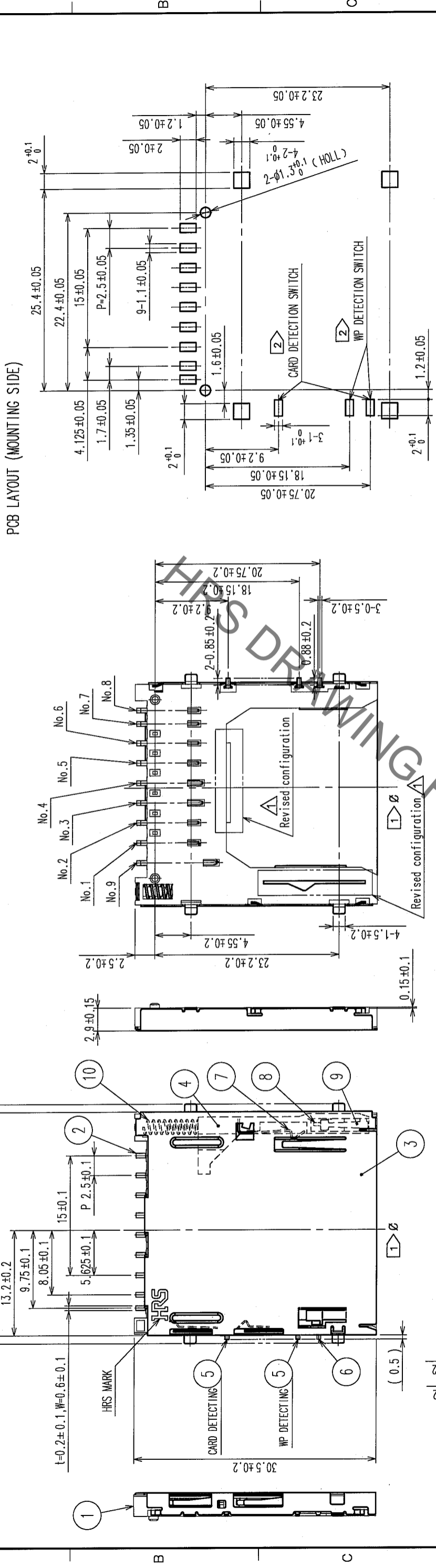
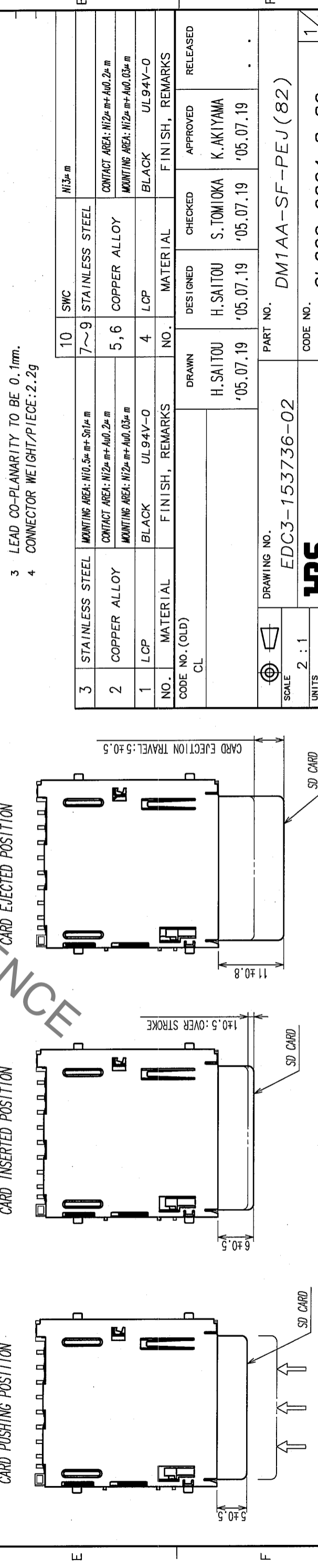
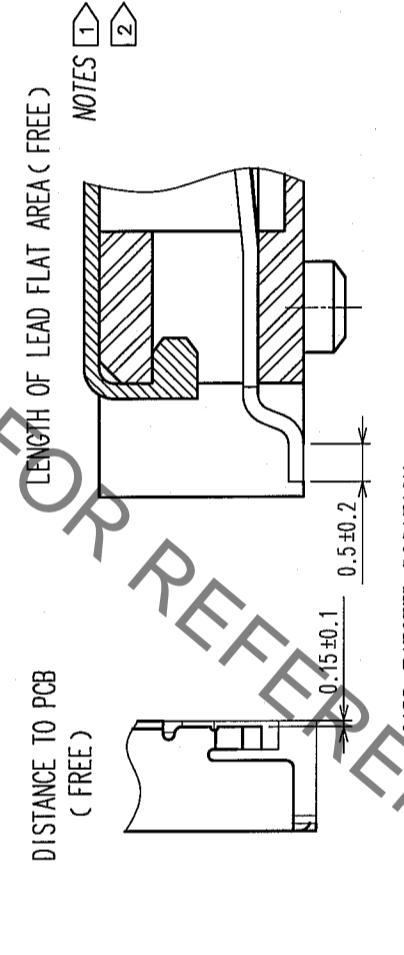


COUNT	DESCRIPTION OF REVISIONS	BY	CHKD	DATE	COUNT	DESCRIPTION OF REVISIONS	BY	CHKD	DATE
2	DIS-F-000445	H.S.		05.09.27					

PCB LAYOUT (MOUNTING SIDE)



CARD DETECTION SWITCH		WP DETECTION SWITCH	
NO CARD	CARD INSERTED	NO CARD	CARD INSERTED
NO CARD	CARD INSERTED	NO CARD	CARD INSERTED
OPEN	CLOSE	OPEN	CLOSE
PART NO.5 PART NO.6 (CARD DETECTING)	PART NO.5 PART NO.6 (CARD DETECTING)	PART NO.5 PART NO.6 (WP DETECTING)	PART NO.5 PART NO.6 (WP DETECTING)
WRITE PROTECT	WRITE ENABLE	WRITE PROTECT	WRITE ENABLE
OPEN	CLOSE	OPEN	CLOSE
PART NO.5 PART NO.6 (WP DETECTING)	PART NO.5 PART NO.6 (WP DETECTING)	PART NO.5 PART NO.6 (WP DETECTING)	PART NO.5 PART NO.6 (WP DETECTING)



NO.	MATERIAL	FINISH, REMARKS	NO.	MATERIAL	FINISH, REMARKS
3	STAINLESS STEEL	MOUNTING AREA: Ni0.5μm-Sn1μm	7~9	STAINLESS STEEL	CONTACT AREA: Ni2μm-Au0.2μm
2	COPPER ALLOY	CONTACT AREA: Ni2μm-Au0.2μm	5, 6	COPPER ALLOY	MOUNTING AREA: Ni2μm-Au0.03μm
1	LCP	BLACK UL94V-0	4	LCP	BLACK UL94V-0
10	SWC	Ni3μm			

3 LEAD CO-PLANARITY TO BE 0.1mm.
 4 CONNECTOR WEIGHT/PIECE: 2.2g

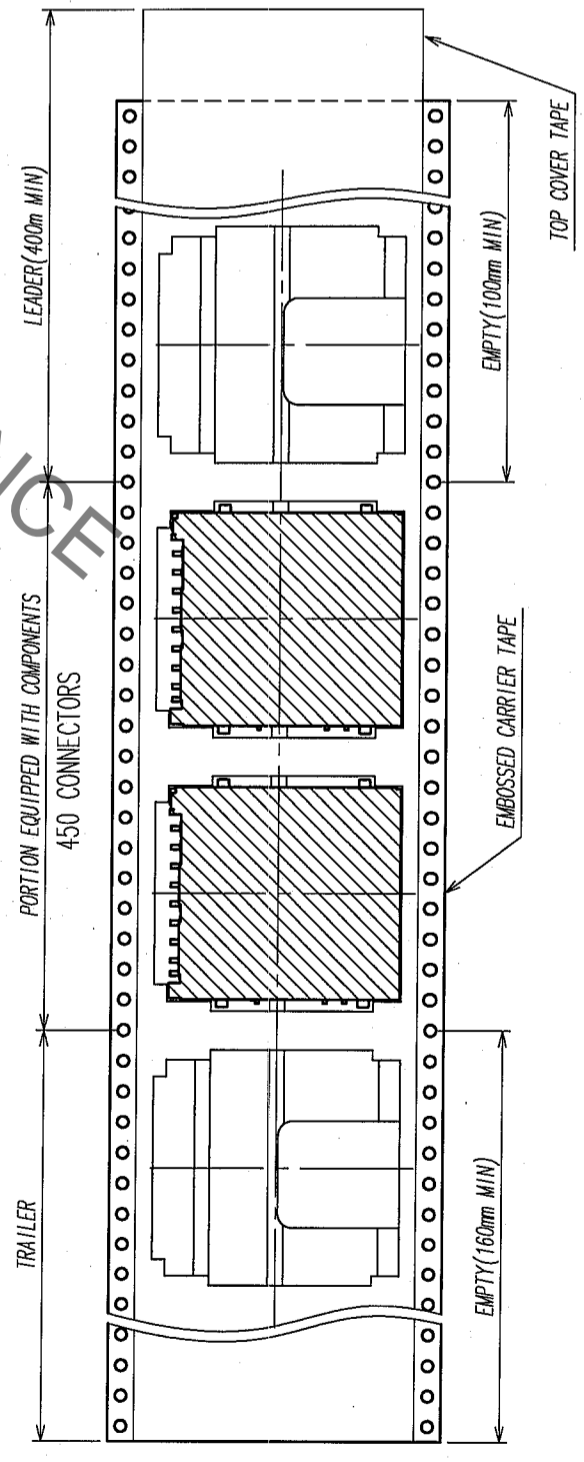
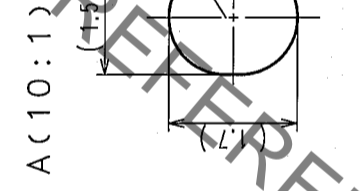
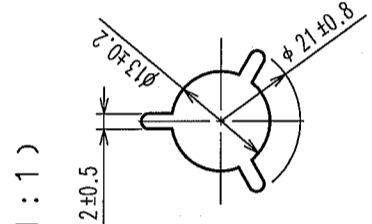
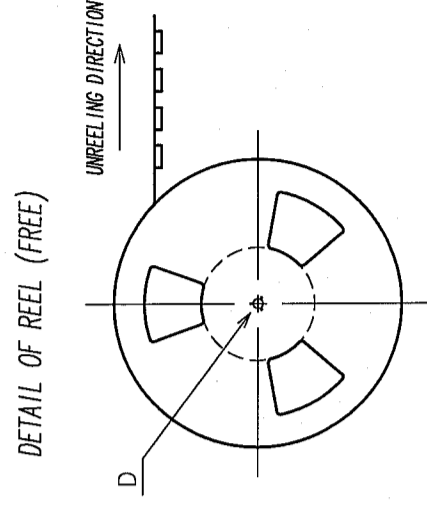
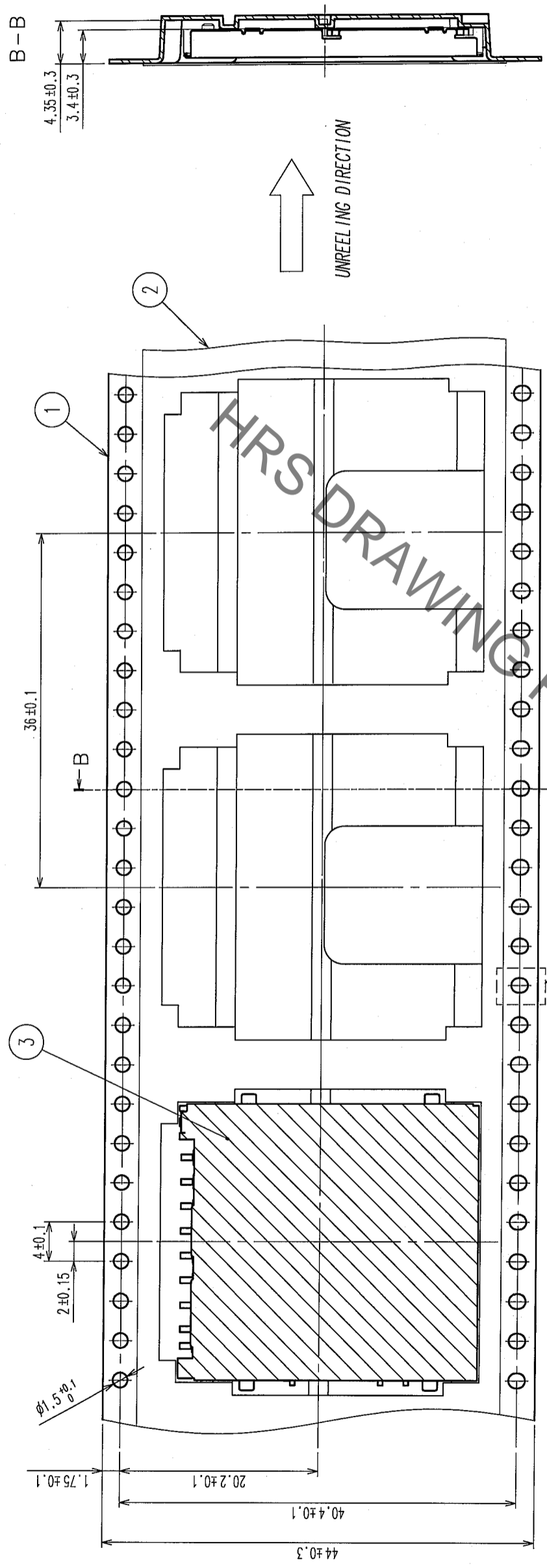
DESIGNED	CHECKED	APPROVED	RELEASED
H. SAITOU '05.07.19	S. TOMIOKA '05.07.19	K. AKIYAMA '05.07.19	

DRAWING NO. EDC3-153736-02
 PART NO. DM1AA-SF-PEJ(82)
 CODE NO. CL609-0004-8-82

Aug.1.2021 Copyright 2021 HIROSE ELECTRIC CO., LTD. All Rights Reserved.
 2 In case of consideration for using Automotive equipment / device which demand high reliability, kindly contact our sales window correspondents.

1 2 3 4 5 6 7 8

COUNT	DESCRIPTION OF REVISIONS	BY	CHKD	DATE	COUNT	DESCRIPTION OF REVISIONS	BY	CHKD	DATE



NOTES 1 450 CONNECTORS / REEL

NO.	MATERIAL	FINISH, REMARKS	FINISH, REMARKS	NO.	MATERIAL	FINISH, REMARKS
3	(CONNECTORS)			3	(CONNECTORS)	
2	POLYESTER			2	POLYESTER	
1	PS			1	PS	

NO.	MATERIAL	FINISH, REMARKS	FINISH, REMARKS
3	(CONNECTORS)		
2	POLYESTER		
1	PS		

DRAWN	DESIGNED	CHECKED	APPROVED	RELEASED
H.SAITOU	H.SAITOU	S.TOMIOKA	K.AKIYAMA	
'05.07.19	'05.07.19	'05.07.19	'05.07.19	

DRAWING NO.	PART NO.
EDC3-153736-02	DM1AA-SF-PEJ (82)

SCALE	UNITS
2 : 1	mm

CODE NO. (OLD)	FINISH, REMARKS
CL	

TO

X-ON Electronics

Largest Supplier of Electrical and Electronic Components

Click to view similar products for [Memory Card Connectors](#) category:

Click to view products by [Hirose](#) manufacturer:

Other Similar products are found below :

[M21-033321-005](#) [6407-249V-25273P](#) [6407-249V-25343P](#) [6426-201-21343](#) [69.920.0553.0](#) [FCN-568P068-G/07-4V](#) [809180410000000](#)
[N7E50-7516PG-20-WF](#) [21920-5](#) [2041353-2](#) [33CFAE-DN](#) [502431-1011](#) [EN2997S61212BN](#) [EN2997SE61212BN](#) [95622-003LF](#) [N7E50-](#)
[U516RB-50-SIN0005](#) [95079-00CALF](#) [84648-056HLF](#) [68-580163-21S](#) [33DVIR-29S12R](#) [125A-78C00](#) [MI20A-50PD-SF-EJL\(71\)](#) [KP10S-SF-](#)
[PEJ\(812\)](#) [504536-0691](#) [504580-0691](#) [CCM03-3109 B LFT](#) [2309923-1](#) [61126-050CAHLF](#) [IC1GA-68PD-1.27DS-EJ\(72\)](#) [GTFP08432B1HR](#)
[G85DT17001P1EU](#) [G85B21611142HHR](#) [GSD090144HR](#) [G85D1140022P1HR](#) [GMCB05801124EU](#) [112K-TAA0-RA1](#) [115S-ACA2](#) [115S-](#)
[ACA3](#) [115S-BS00](#) [115S-BT00](#) [115V-AD00](#) [MCSP-Q1-08-A-SG-T/R](#) [503960-0695](#) [101B-TAA0-R](#) [101D-TAAA-R01](#) [101D-TAAB-R01](#)
[104D-TCA0-R06](#) [104B-TAA0-R](#) [112C-TBAR-R02](#) [114B-40B00-R02](#)