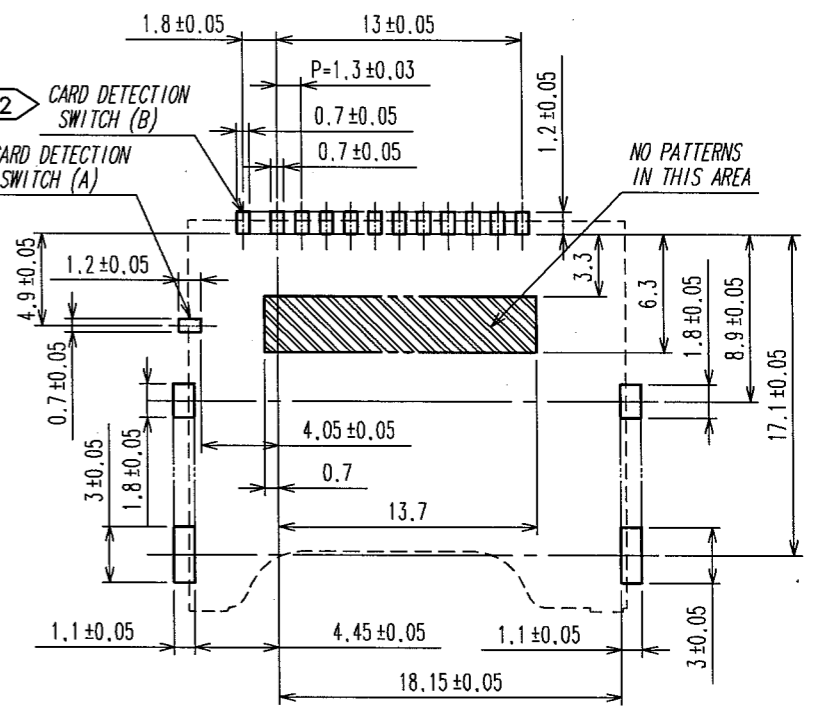
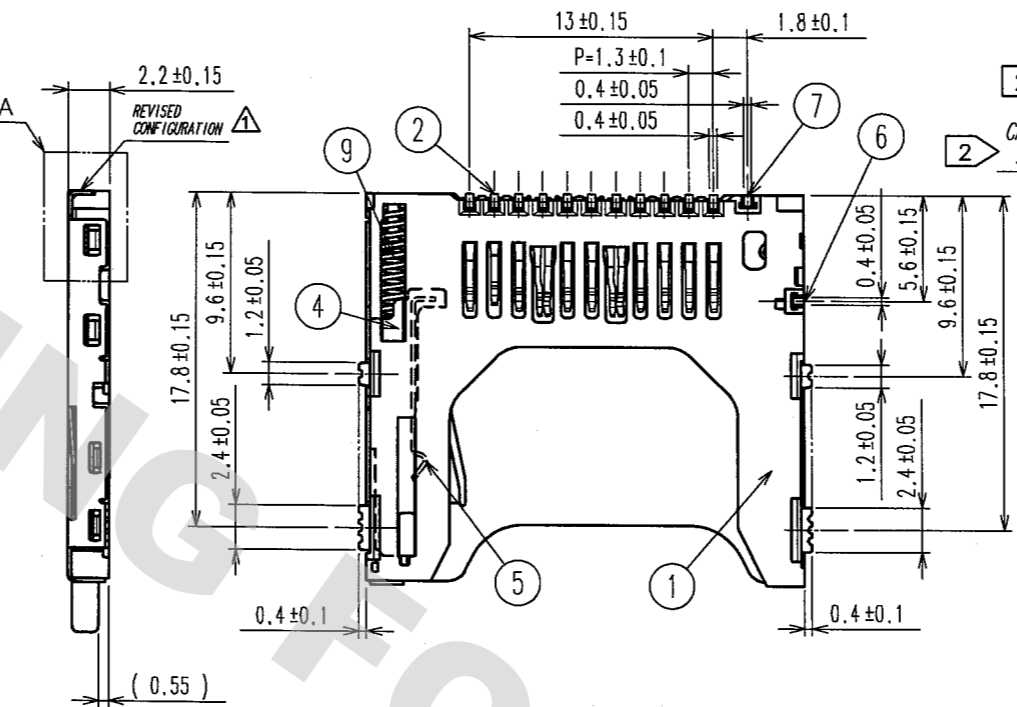
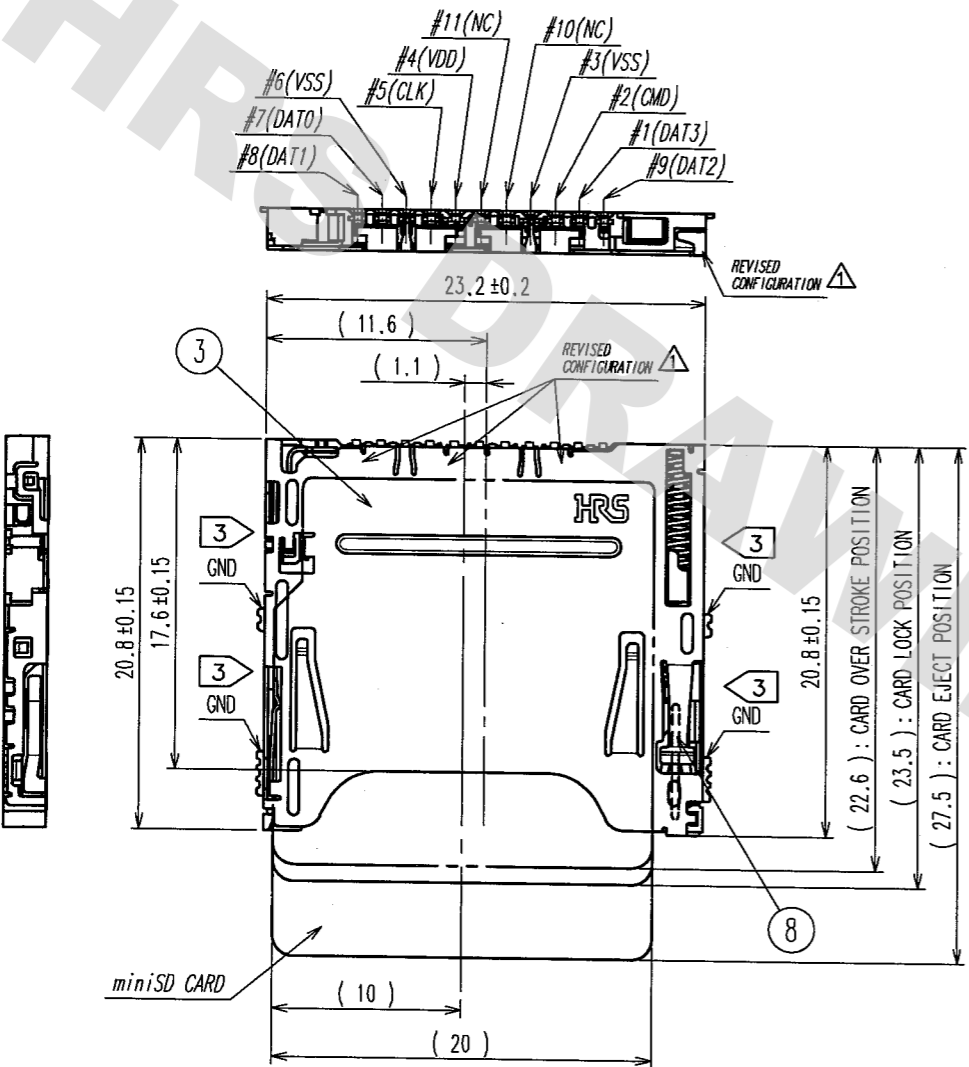
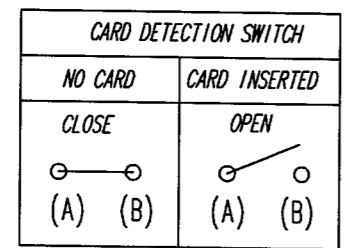


COUNT	DESCRIPTION OF REVISIONS	BY	CHKD	DATE	COUNT	DESCRIPTION OF REVISIONS	BY	CHKD	DATE
3	RE-F-10206	O.M.		'04.11.16					

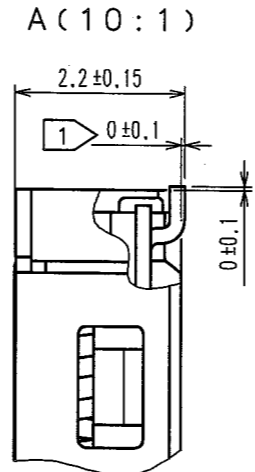
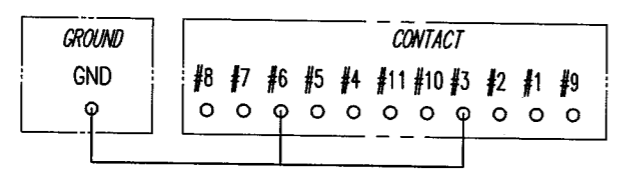
RECOMMENDED PCB LAYOUT (MOUNTING SIDE)



NOTE. 1 CO-PLANARITY SHALL BE 0.1mm MAX.
 2 CARD DETECTION PROCEDURE IS SHOWN BELOW.



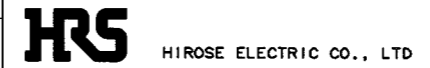
3 CIRCUIT OF CONTACTS AND GROUND IS SHOWN BELOW.



4	HEAT-RESISTANT RESIN	BLACK	UL94V-0	9	STEEL WIRE	Ni PLATING
3	COPPER ALLOY(t=0.2)			8	STAINLESS STEEL	
2	PHOSPHOR BRONZE(t=0.2)	CONTACT AREA	Ni1.5μm+Au0.1μm	6, 7	PHOSPHOR BRONZE(t=0.2)	CONTACT AREA Ni1.5μm+Au0.1μm
		MOUNTING AREA	Ni1.5μm+Au0.03μm			MOUNTING AREA Ni1.5μm+Au0.03μm
1	HEAT-RESISTANT RESIN	BLACK	UL94V-0	5	STAINLESS STEEL	
NO.	MATERIAL	FINISH, REMARKS		NO.	MATERIAL	FINISH, REMARKS

CODE NO. (OLD)	DRAWN	DESIGNED	CHECKED	APPROVED	RELEASED
CL?	O.Miyamoto	O.Miyamoto	K.Akiyama	K.Akiyama	
	'04.07.06	'04.07.07	'04.07.07	'04.07.07	

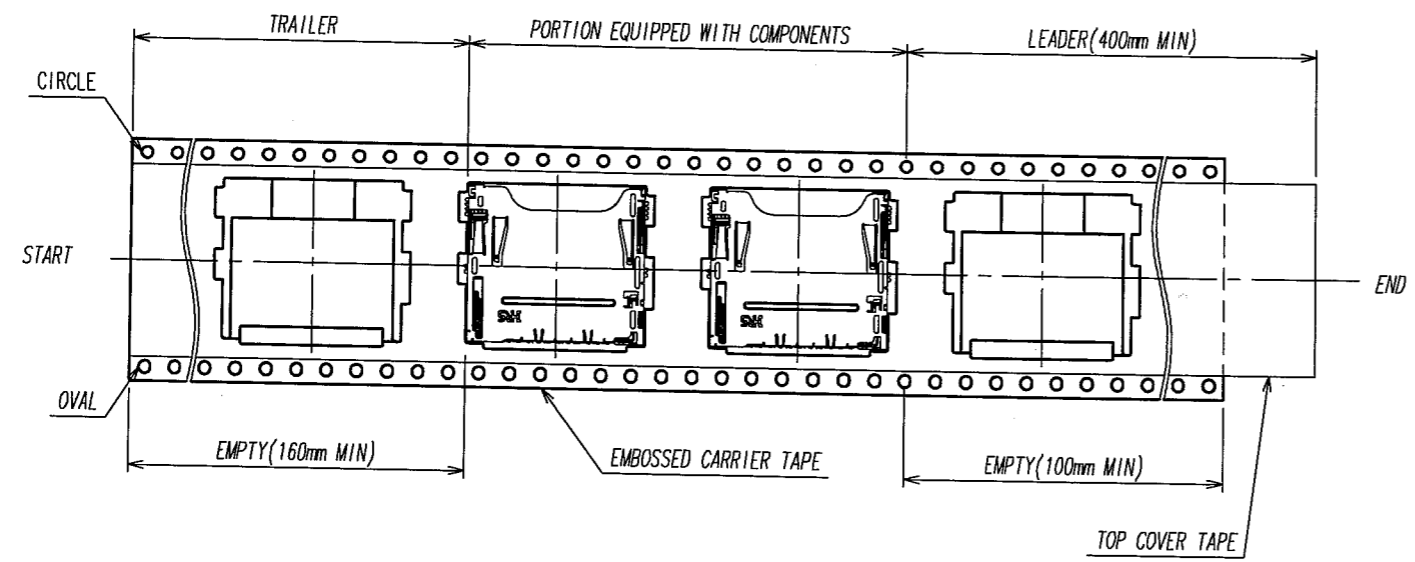
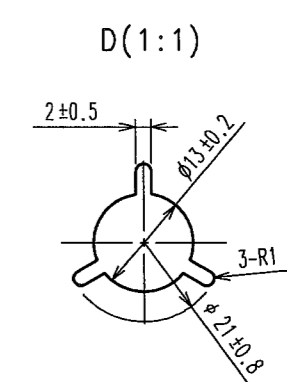
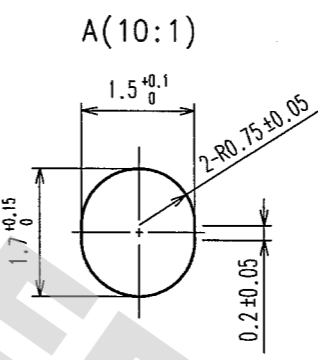
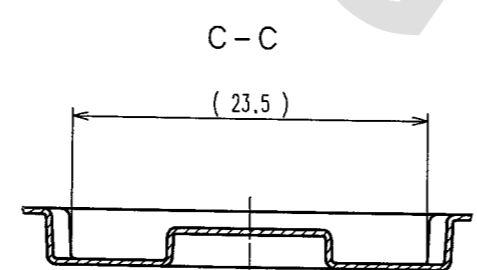
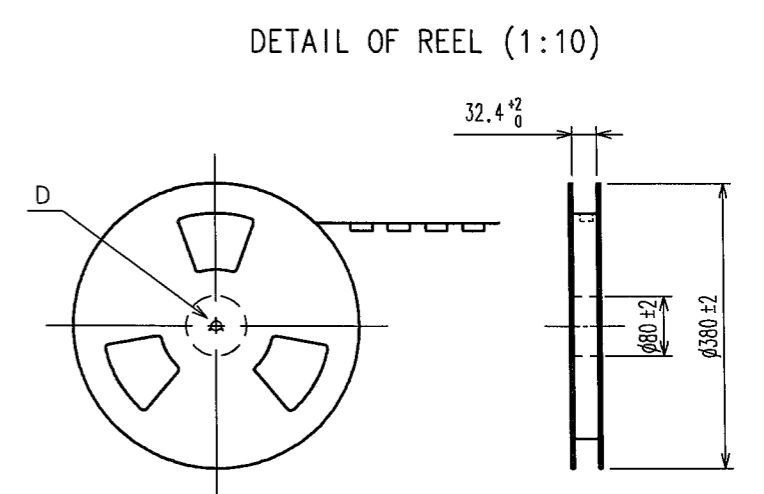
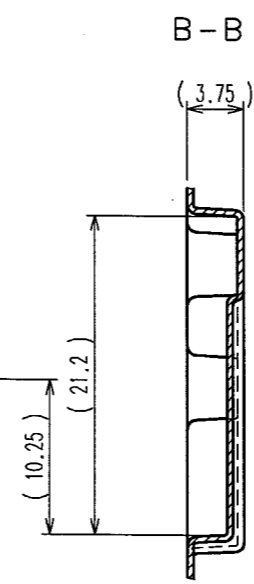
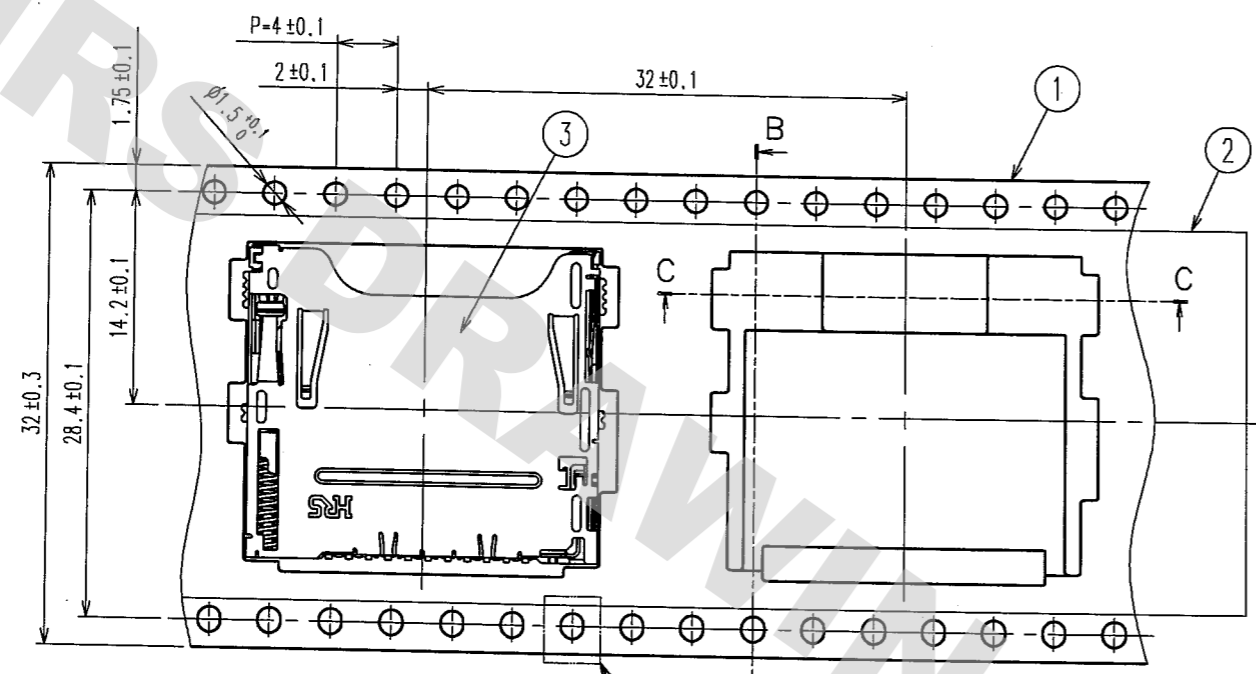
SCALE	DRAWING NO.	PART NO.
FREE	EDC3-155066	DM2A-SFW-PEJ-S
UNITS	CODE NO.	
mm	CL609-0010-0	



DRAWING FOR REFERENCE: This is subject to change without notice
08/11/2012

TO

COUNT	DESCRIPTION OF REVISIONS	BY	CHKD	DATE	COUNT	DESCRIPTION OF REVISIONS	BY	CHKD	DATE



NOTE. 1 PACKING TYPE: TAPE AND REEL. 800 PCS PER REEL.

3	(CONNECTORS)	
2	POLYESTER	
1	PS	

NO.	MATERIAL	FINISH, REMARKS	NO.	MATERIAL	FINISH, REMARKS

CODE NO. (OLD) CL?	DRAWN <i>O.Miyamoto</i> '04.07.06	DESIGNED <i>O.Miyamoto</i> '04.07.07	CHECKED <i>K.Akiyama</i> '04.07.07	APPROVED <i>K.Akiyama</i> '04.07.07	RELEASED
	DRAWING NO. EDC3-155066		PART NO. DM2A-SFW-PEJ-S		
	SCALE 2:1		CODE NO. CL609-0010-0		
	UNITS mm		2		

DRAWING FOR REFERENCE: This is subject to change without notice
08/11/2012

TO

X-ON Electronics

Largest Supplier of Electrical and Electronic Components

Click to view similar products for [Memory Card Connectors](#) category:

Click to view products by [Hirose](#) manufacturer:

Other Similar products are found below :

[M21-033321-005](#) [6407-249V-25273P](#) [6407-249V-25343P](#) [6426-201-21343](#) [69.920.0553.0](#) [FCN-568P068-G/07-4V](#) [809180410000000](#)
[N7E50-7516PG-20-WF](#) [21920-5](#) [2041353-2](#) [33CFAE-DN](#) [502431-1011](#) [EN2997S61212BN](#) [EN2997SE61212BN](#) [95622-003LF](#) [N7E50-](#)
[U516RB-50-SIN0005](#) [95079-00CALF](#) [84648-056HLF](#) [68-580163-21S](#) [33DVIR-29S12R](#) [125A-78C00](#) [MI20A-50PD-SF-EJL\(71\)](#) [KP10S-SF-](#)
[PEJ\(812\)](#) [504536-0691](#) [504580-0691](#) [CCM03-3109 B LFT](#) [2309923-1](#) [61126-050CAHLF](#) [IC1GA-68PD-1.27DS-EJ\(72\)](#) [GTFP08432B1HR](#)
[G85DT17001P1EU](#) [G85B21611142HHR](#) [GSD090144HR](#) [G85D1140022P1HR](#) [GMCB05801124EU](#) [112K-TAA0-RA1](#) [115S-ACA2](#) [115S-](#)
[ACA3](#) [115S-BS00](#) [115S-BT00](#) [115V-AD00](#) [MCSP-Q1-08-A-SG-T/R](#) [503960-0695](#) [101B-TAA0-R](#) [101D-TAAA-R01](#) [101D-TAAB-R01](#)
[104D-TCA0-R06](#) [104B-TAA0-R](#) [112C-TBAR-R02](#) [114B-40B00-R02](#)