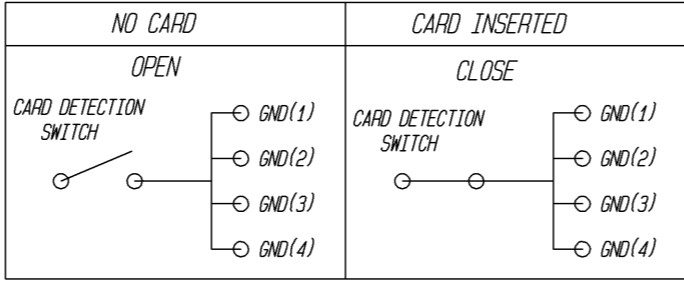
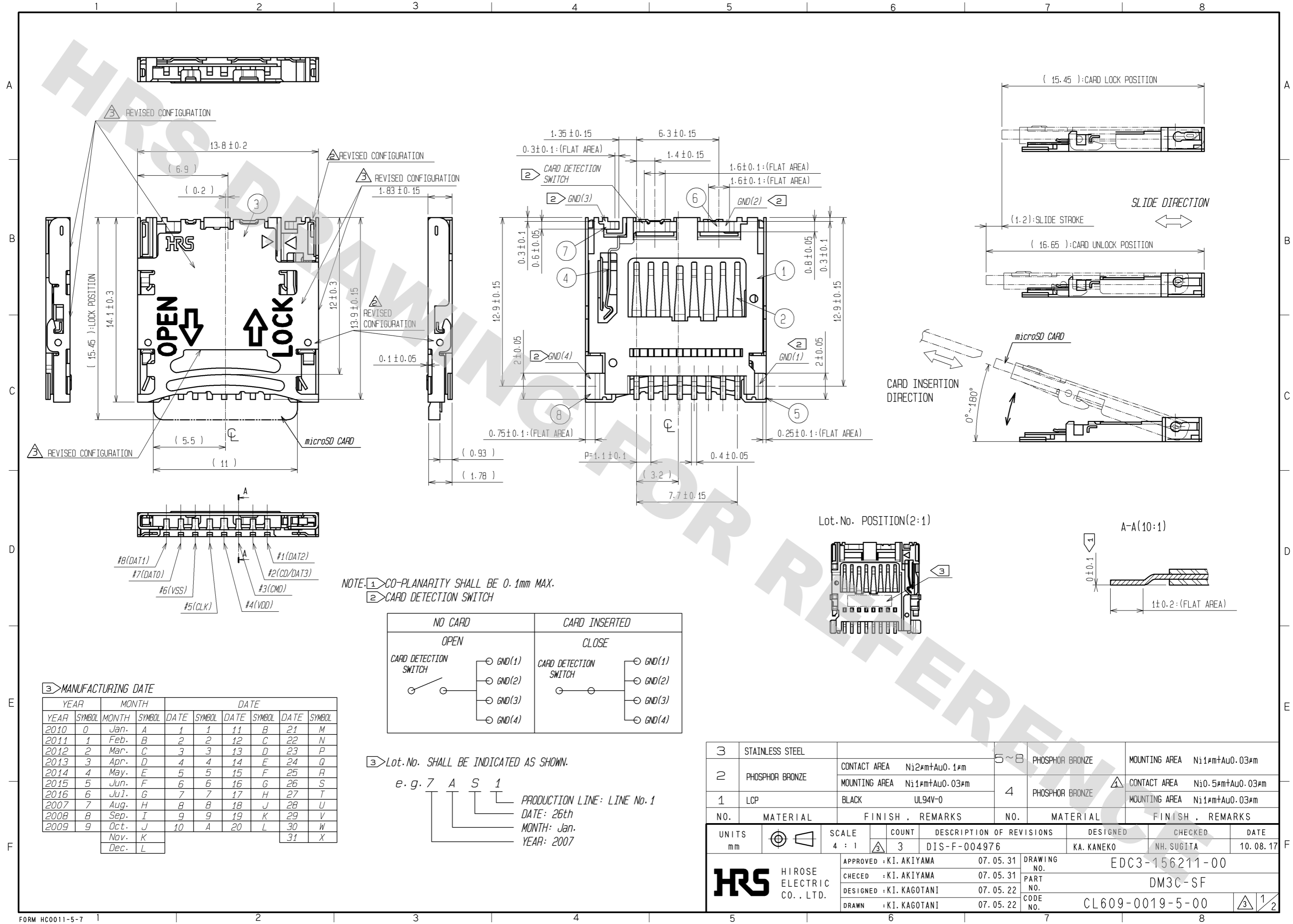


DRAWING FOR REFERENCE: This is subject to change without notice
08/11/2012



3 MANUFACTURING DATE

YEAR	MONTH	DATE									
YEAR	SYMBOL	MONTH	SYMBOL	DATE	SYMBOL	DATE	SYMBOL	DATE	SYMBOL	DATE	SYMBOL
2010	0	Jan.	A	1	1	11	B	21	M		
2011	1	Feb.	B	2	2	12	C	22	N		
2012	2	Mar.	C	3	3	13	D	23	P		
2013	3	Apr.	D	4	4	14	E	24	Q		
2014	4	May.	E	5	5	15	F	25	R		
2015	5	Jun.	F	6	6	16	G	26	S		
2016	6	Ju.	G	7	7	17	H	27	T		
2007	7	Aug.	H	8	8	18	J	28	U		
2008	8	Sep.	I	9	9	19	K	29	V		
2009	9	Oct.	J	10	A	20	L	30	W		
		Nov.	K					31	X		
		Dec.	L								

3 Lot.No. SHALL BE INDICATED AS SHOWN.
e.g. 7 A S 1
PRODUCTION LINE: LINE No. 1
DATE: 26th
MONTH: Jan.
YEAR: 2007

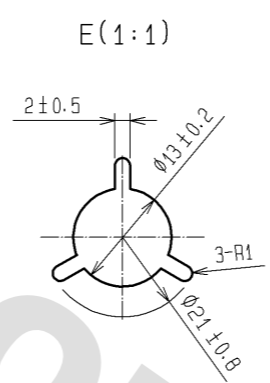
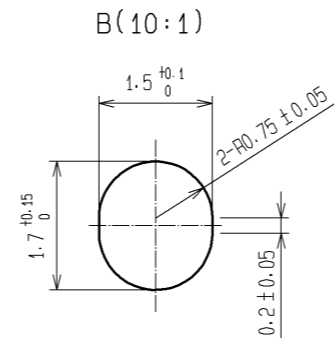
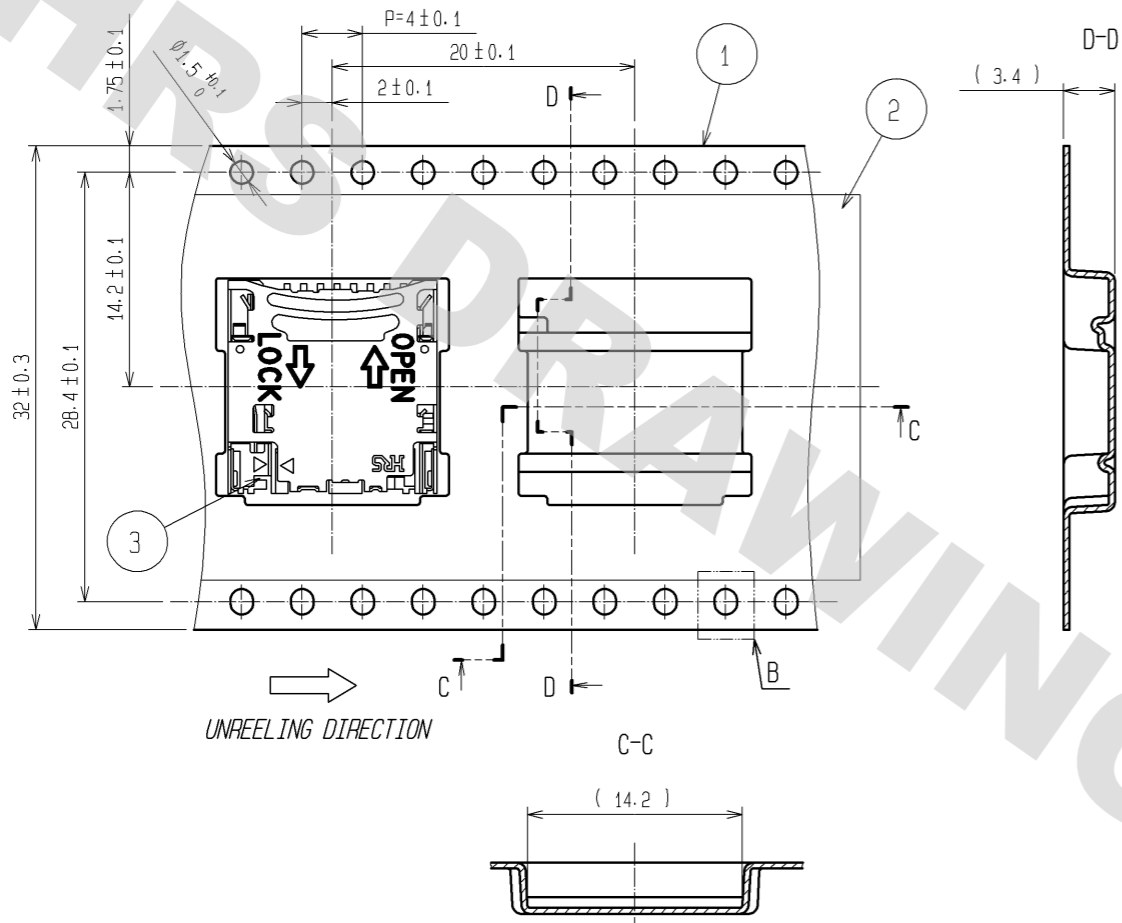
NO.	MATERIAL	FINISH	REMARKS	NO.	MATERIAL	FINISH	REMARKS
3	STAINLESS STEEL			5~8	PHOSPHOR BRONZE		MOUNTING AREA Ni1#m+Au0.03#m
2	PHOSPHOR BRONZE	CONTACT AREA	Ni2#m+Au0.1#m	4	PHOSPHOR BRONZE	CONTACT AREA	Ni0.5#m+Au0.03#m
		MOUNTING AREA	Ni1#m+Au0.03#m			MOUNTING AREA	Ni1#m+Au0.03#m
1	LCP	BLACK	UL94V-0				

UNITS	SCALE	COUNT	DESCRIPTION OF REVISIONS	DESIGNED	CHECKED	DATE
mm	4 : 1	3	DIS-F-004976	KA. KANEKO	NH. SUGITA	10.08.17

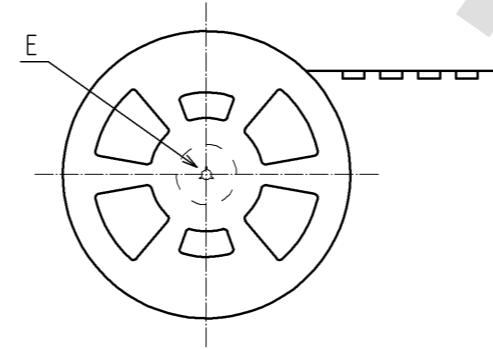
APPROVED	DATE	DRAWING NO.
: KI. AKIYAMA	07.05.31	EDC3-156211-00
CHECED	DATE	PART NO.
: KI. AKIYAMA	07.05.31	DM3C-SF
DESIGNED	DATE	CODE NO.
: KI. KAGOTANI	07.05.22	CL609-0019-5-00
DRAWN	DATE	
: KI. KAGOTANI	07.05.22	

DRAWING FOR REFERENCE: This is subject to change without notice
08/11/2012

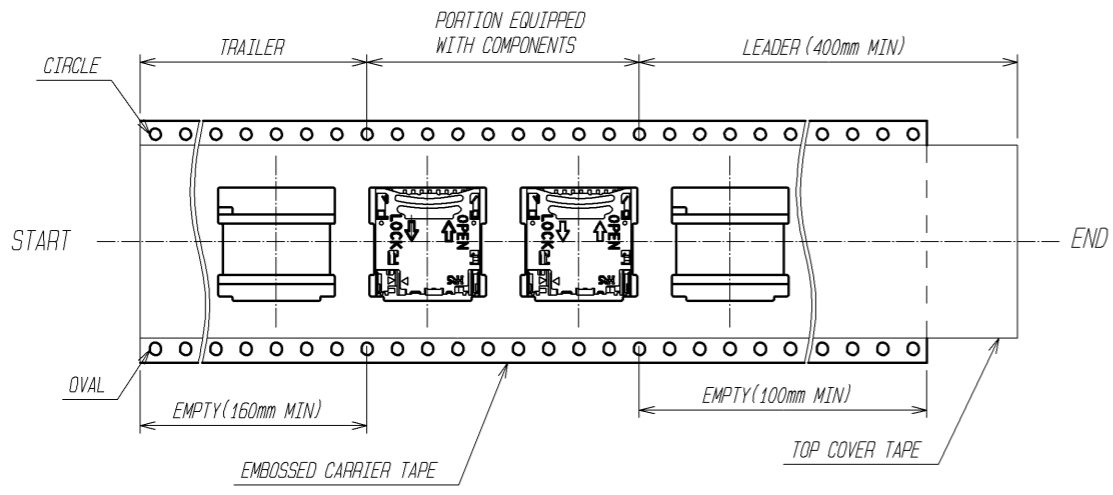
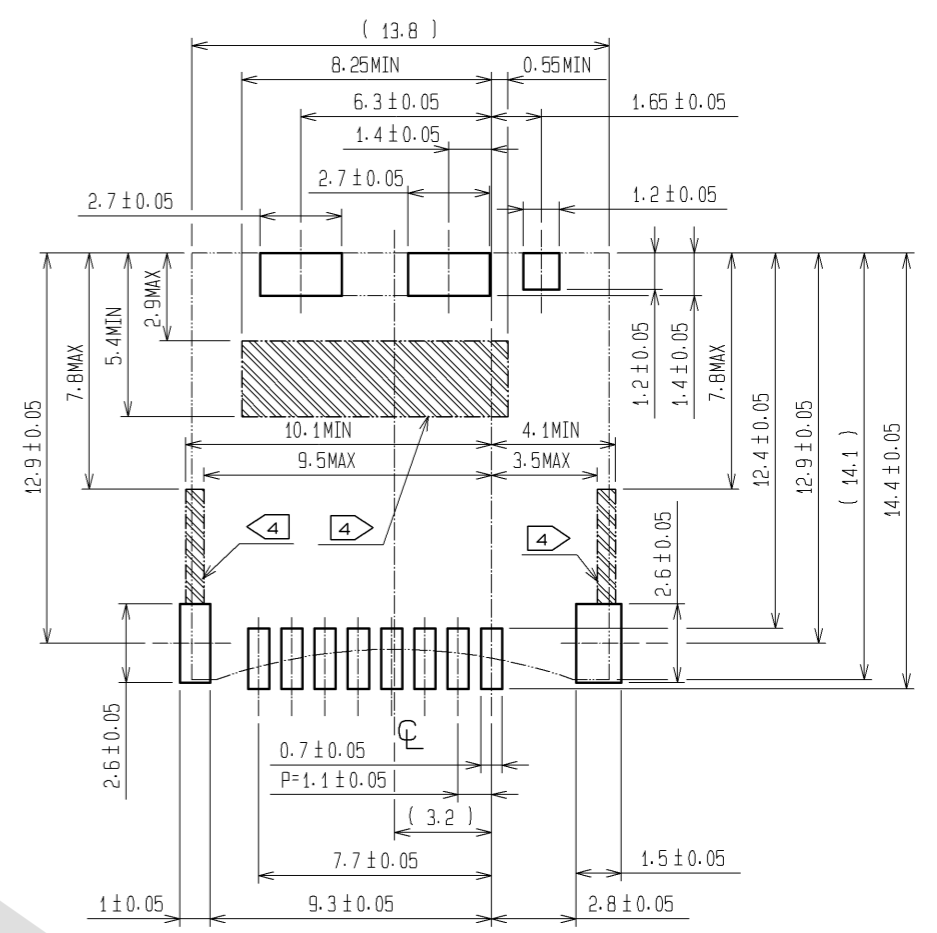
5 DRAWING FOR PACKING



DETAIL OF REEL (1:10)



RECOMMENDED PCB LAYOUT (MOUNTING SIDE)



NOTE: 4 NO PATTERNS ARE PERMITTED IN THIS OBLIQUE-HATCHED AREA.
5 PACKING TYPE: TAPE AND REEL. 1300PCS PER REEL.
6 PLEASE REFER TO TECHNICAL SPECIFICATION : ETAD-F0335 "DM3C SERIES PRODUCT INFORMATION AND HANDLING INSTRUCTIONS" FOR THE HANDLING OF THE PRODUCT.

3	(CONNECTORS)	
2		
1	PS	
NO.	MATERIAL	FINISH . REMARKS

HRS	DRAWING NO.	EDC3-156211-00
	PART NO.	DM3C-SF
	CODE NO.	CL609-0019-5-00
		2/2

X-ON Electronics

Largest Supplier of Electrical and Electronic Components

Click to view similar products for [Memory Card Connectors](#) category:

Click to view products by [Hirose](#) manufacturer:

Other Similar products are found below :

[M21-033321-005](#) [6407-249V-25273P](#) [6407-249V-25343P](#) [6426-201-21343](#) [69.920.0553.0](#) [FCN-568P068-G/07-4V](#) [809180410000000](#)
[N7E50-7516PG-20-WF](#) [21920-5](#) [2041353-2](#) [33CFAE-DN](#) [502431-1011](#) [EN2997S61212BN](#) [EN2997SE61212BN](#) [95622-003LF](#) [N7E50-](#)
[U516RB-50-SIN0005](#) [95079-00CALF](#) [84648-056HLF](#) [68-580163-21S](#) [33DVIR-29S12R](#) [125A-78C00](#) [MI20A-50PD-SF-EJL\(71\)](#) [KP10S-SF-](#)
[PEJ\(812\)](#) [504536-0691](#) [504580-0691](#) [CCM03-3109 B LFT](#) [2309923-1](#) [61126-050CAHLF](#) [IC1GA-68PD-1.27DS-EJ\(72\)](#) [GTFP08432B1HR](#)
[G85DT17001P1EU](#) [G85B21611142HHR](#) [GSD090144HR](#) [G85D1140022P1HR](#) [GMCB05801124EU](#) [112K-TAA0-RA1](#) [115S-ACA2](#) [115S-](#)
[ACA3](#) [115S-BS00](#) [115S-BT00](#) [115V-AD00](#) [MCSP-Q1-08-A-SG-T/R](#) [503960-0695](#) [101B-TAA0-R](#) [101D-TAAA-R01](#) [101D-TAAB-R01](#)
[104D-TCA0-R06](#) [104B-TAA0-R](#) [112C-TBAR-R02](#) [114B-40B00-R02](#)