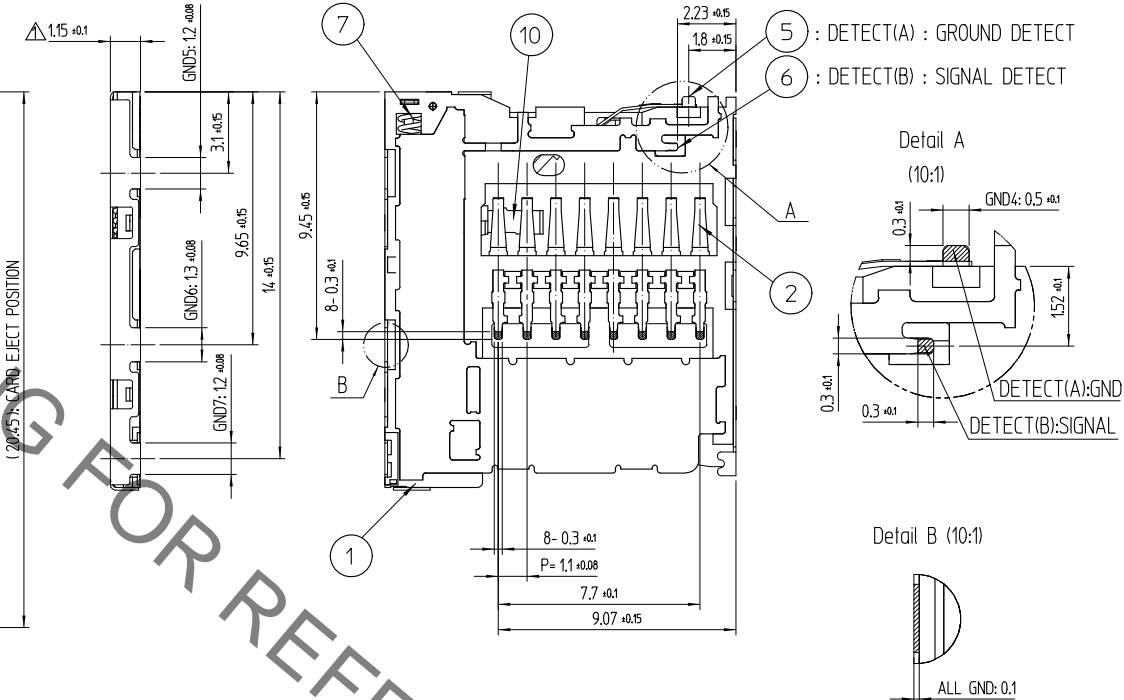
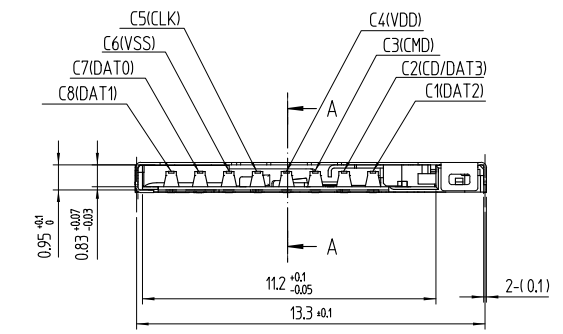
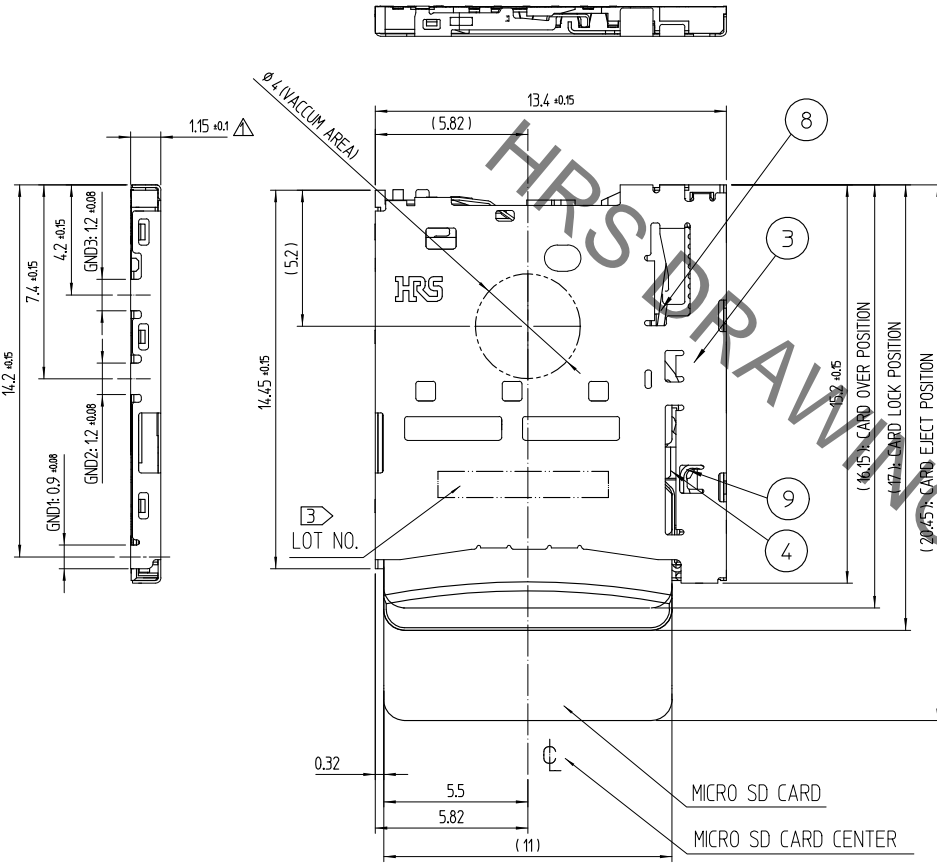


Sep. 1. 2021 Copyright 2021 HIROSE ELECTRIC CO., LTD. All Rights Reserved.  
 use of consideration for using Automotive equipment / device which demand high reliability, kindly contact our sales window correspond

REFERENCE DRAWING



△數 COUNT	訂正事項 DISCUSSION OF REVISIONS	擔當 BY	檢圖 CHKD	年月日 DATE	△數 COUNT	訂正事項 DISCUSSION OF REVISIONS	擔當 BY	檢圖 CHKD	年月日 DATE
4	RE-5-2373	P.JH	A.B.H	20. 04. 24					

NO.	PART	MATERIAL	FINISH,REMARKS	NO.	PART	MATERIAL	FINISH,REMARKS
4	EJECTOR MOLD	LCP	BLAC UL94-V0	10	EJECTOR PLATE	STAINLESS STEEL	
3.5	COVER	STAINLESS STEEL	MOUNTING : NP + AuP	9	LOCK PIN	STAINLESS STEEL	
2	SH-CONTACT	COPPER ALLOY	CONTACT NP + Pd-NP + AuP MOUNTING: NP + AuP	8	PIN	STAINLESS STEEL	
1	Ins.Base	LCP	BLAC UL94-V0	7	SPRING	STAINLESS STEEL	
				6	DETECT	COPPER ALLOY	MOUNTING : NP + AuP

NO.	PART	MATERIAL	FINISH,REMARKS	NO.	PART	MATERIAL	FINISH,REMARKS

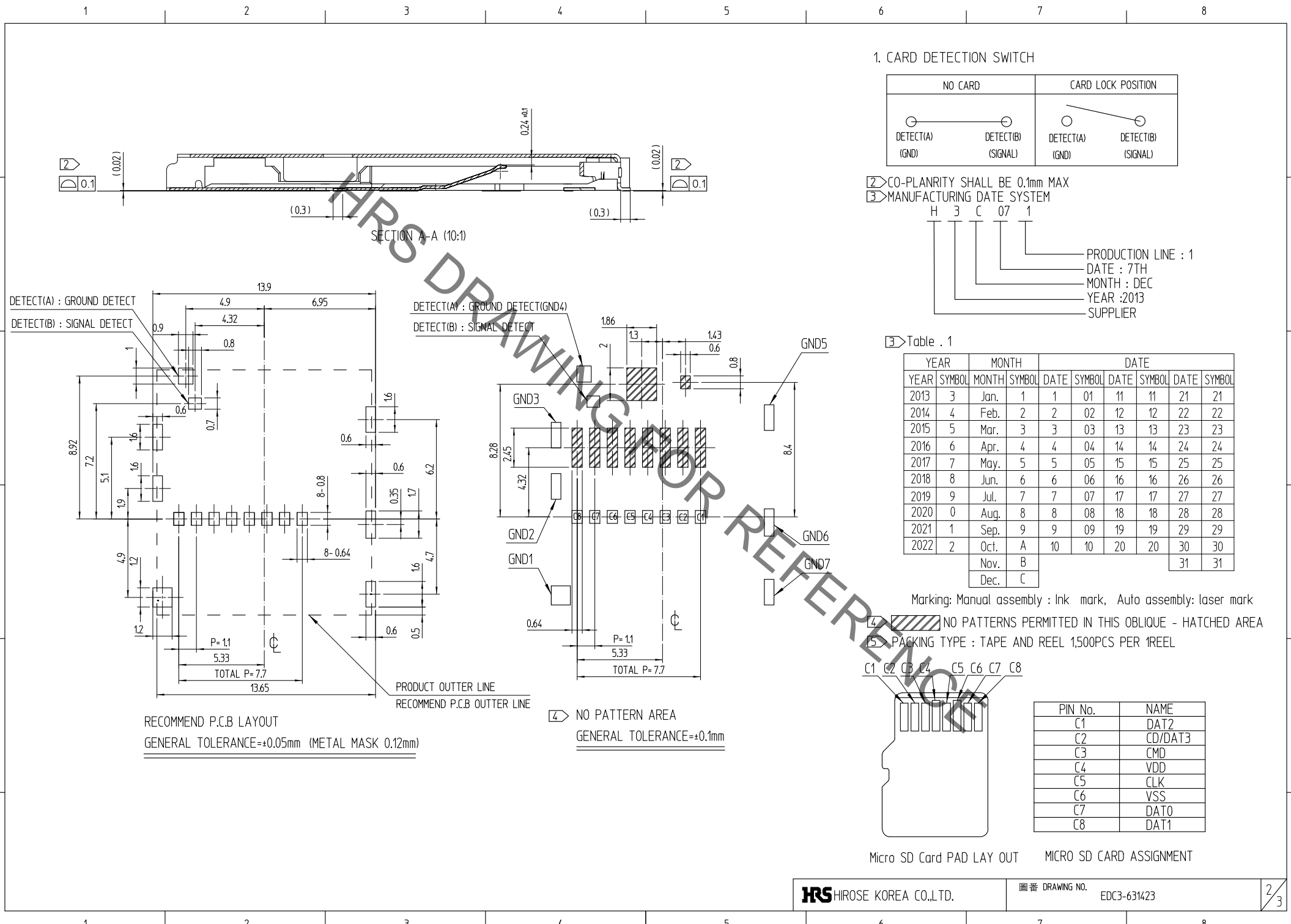
CODE NO. (OLD)	DRAWN	DESIGNED	CHECKED	APPROVED	RELEASED
	W.H.LEE 16.05.09	W.H.LEE 16.05.09	B.H.AN 16.05.09	H.C.SONG 16.05.10	ENG 20.04.24 DEPT

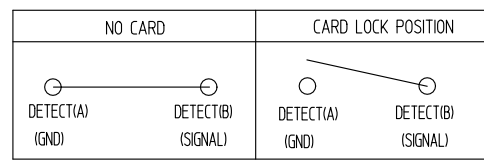
DRAWING NO.	EDC3-631423	PART NO.	DM3NW-SF-PE J(800)
SCALE	5:1	CODE NO	CL 6533-0019-800
UNITS	mm		

A  
B  
C  
D  
E  
F

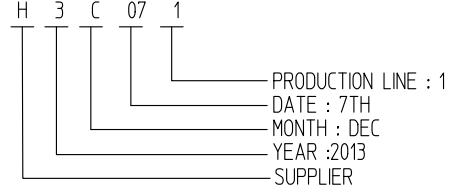
Sep. 1. 2021 Copyright 2021 HIROSE ELECTRIC CO., LTD. All Rights Reserved.  
 use of consideration for using Automotive equipment / device which demand high reliability, kindly contact our sales window correspond



1. CARD DETECTION SWITCH



- 2 > CO-PLANRITY SHALL BE 0.1mm MAX
- 3 > MANUFACTURING DATE SYSTEM



3 > Table . 1

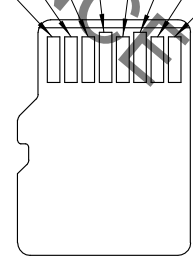
YEAR		MONTH		DATE					
YEAR	SYMBOL	MONTH	SYMBOL	DATE	SYMBOL	DATE	SYMBOL	DATE	SYMBOL
2013	3	Jan.	1	1	01	11	11	21	21
2014	4	Feb.	2	2	02	12	12	22	22
2015	5	Mar.	3	3	03	13	13	23	23
2016	6	Apr.	4	4	04	14	14	24	24
2017	7	May.	5	5	05	15	15	25	25
2018	8	Jun.	6	6	06	16	16	26	26
2019	9	Jul.	7	7	07	17	17	27	27
2020	0	Aug.	8	8	08	18	18	28	28
2021	1	Sep.	9	9	09	19	19	29	29
2022	2	Oct.	A	10	10	20	20	30	30
		Nov.	B					31	31
		Dec.	C						

Marking: Manual assembly : Ink mark, Auto assembly: laser mark

4 NO PATTERNS PERMITTED IN THIS OBLIQUE - HATCHED AREA

5 PACKING TYPE : TAPE AND REEL 1,500PCS PER 1REEL

C1 C2 C3 C4 C5 C6 C7 C8



PIN No.	NAME
C1	DAT2
C2	CD/DAT3
C3	CMD
C4	VDD
C5	CLK
C6	VSS
C7	DAT0
C8	DAT1

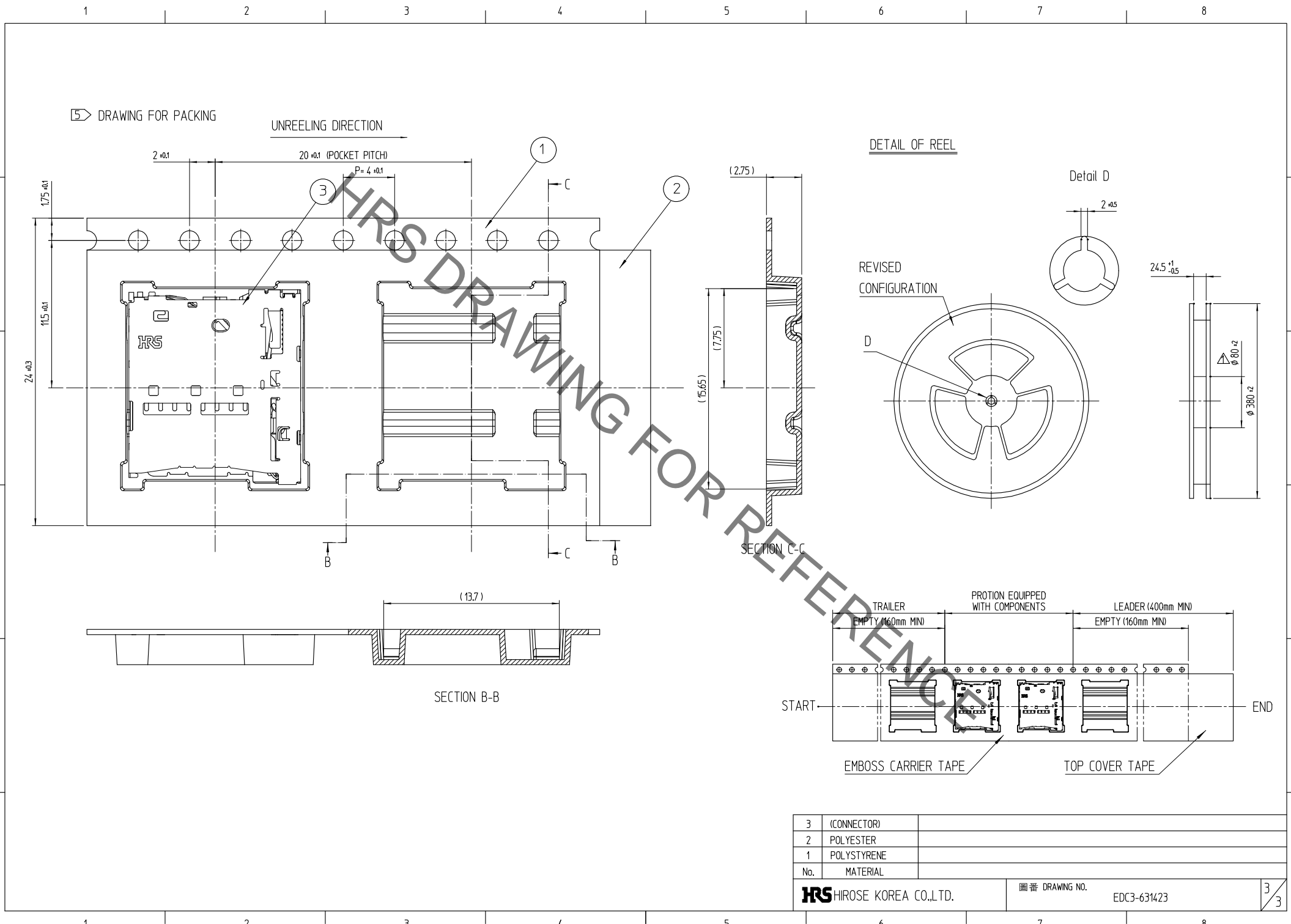
Micro SD Card PAD LAY OUT

MICRO SD CARD ASSIGNMENT

RECOMMEND P.C.B LAYOUT  
 GENERAL TOLERANCE=±0.05mm (METAL MASK 0.12mm)

4 NO PATTERN AREA  
 GENERAL TOLERANCE=±0.1mm

Sep. 1. 2021 Copyright 2021 HIROSE ELECTRIC CO., LTD. All Rights Reserved.  
 use of consideration for using Automotive equipment / device which demand high reliability, kindly contact our sales window correspond



3	(CONNECTOR)	
2	POLYESTER	
1	POLYSTYRENE	
No.	MATERIAL	
<b>HRS</b> HIROSE KOREA CO.,LTD.		图番 DRAWING NO. EDC3-631423
		3/3

## X-ON Electronics

Largest Supplier of Electrical and Electronic Components

*Click to view similar products for [Memory Card Connectors](#) category:*

*Click to view products by [Hirose](#) manufacturer:*

Other Similar products are found below :

[M21-033321-005](#) [6407-249V-25273P](#) [6407-249V-25343P](#) [6426-201-21343](#) [69.920.0553.0](#) [FCN-568P068-G/07-4V](#) [809180410000000](#)  
[N7E50-7516PG-20-WF](#) [21920-5](#) [2041353-2](#) [33CFAE-DN](#) [502431-1011](#) [EN2997S61212BN](#) [EN2997SE61212BN](#) [95622-003LF](#) [N7E50-](#)  
[U516RB-50-SIN0005](#) [95079-00CALF](#) [84648-056HLF](#) [68-580163-21S](#) [33DVIR-29S12R](#) [125A-78C00](#) [MI20A-50PD-SF-EJL\(71\)](#) [KP10S-SF-](#)  
[PEJ\(812\)](#) [504536-0691](#) [504580-0691](#) [CCM03-3109 B LFT](#) [2309923-1](#) [61126-050CAHLF](#) [IC1GA-68PD-1.27DS-EJ\(72\)](#) [GTFP08432B1HR](#)  
[G85DT17001P1EU](#) [G85B21611142HHR](#) [GSD090144HR](#) [G85D1140022P1HR](#) [GMCB05801124EU](#) [112K-TAA0-RA1](#) [115S-ACA2](#) [115S-](#)  
[ACA3](#) [115S-BS00](#) [115S-BT00](#) [115V-AD00](#) [MCSP-Q1-08-A-SG-T/R](#) [503960-0695](#) [101B-TAA0-R](#) [101D-TAAA-R01](#) [101D-TAAB-R01](#)  
[104D-TCA0-R06](#) [104B-TAA0-R](#) [112C-TBAR-R02](#) [114B-40B00-R02](#)