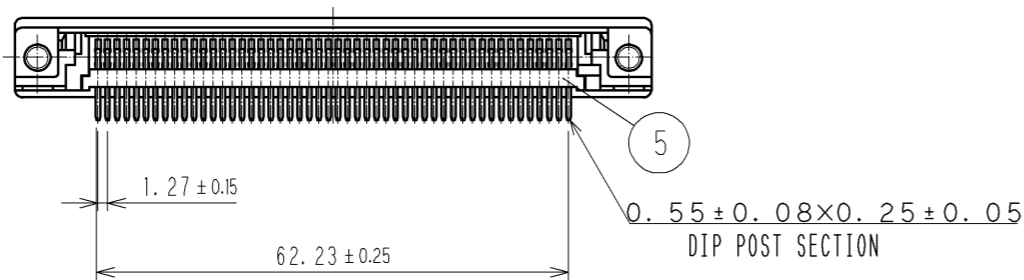
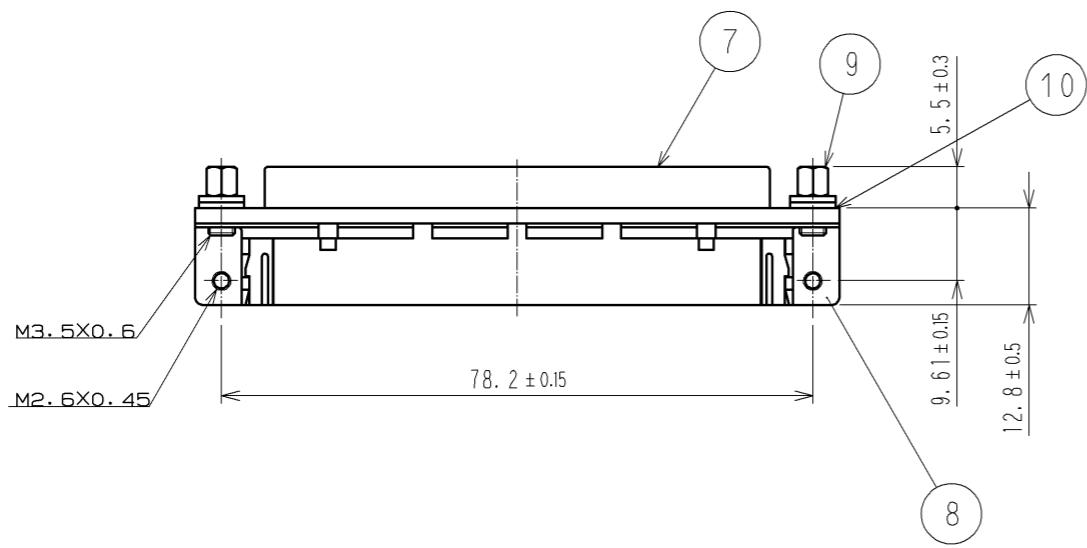
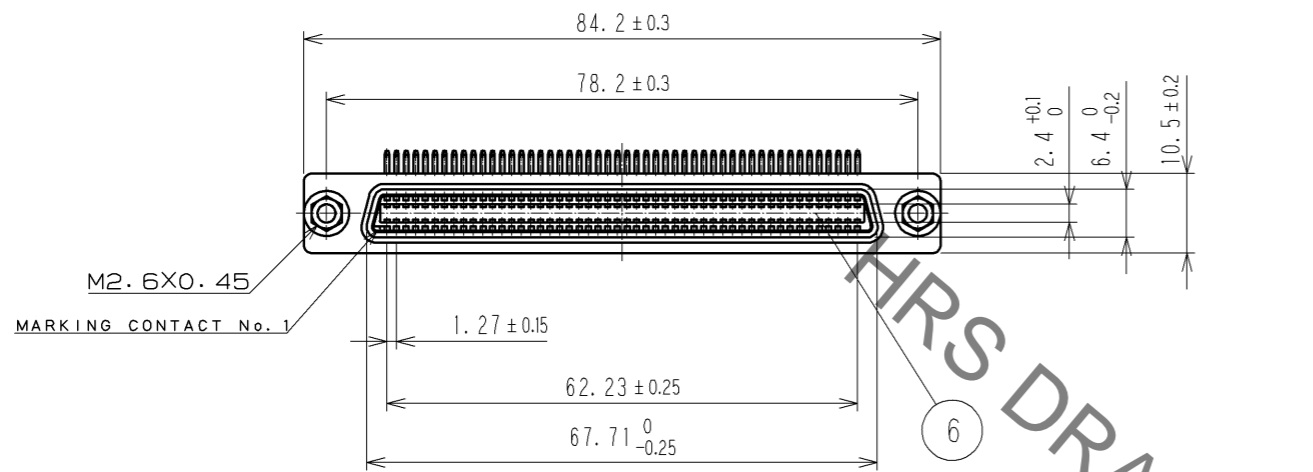
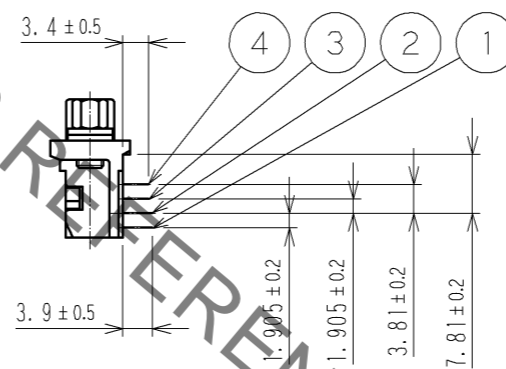
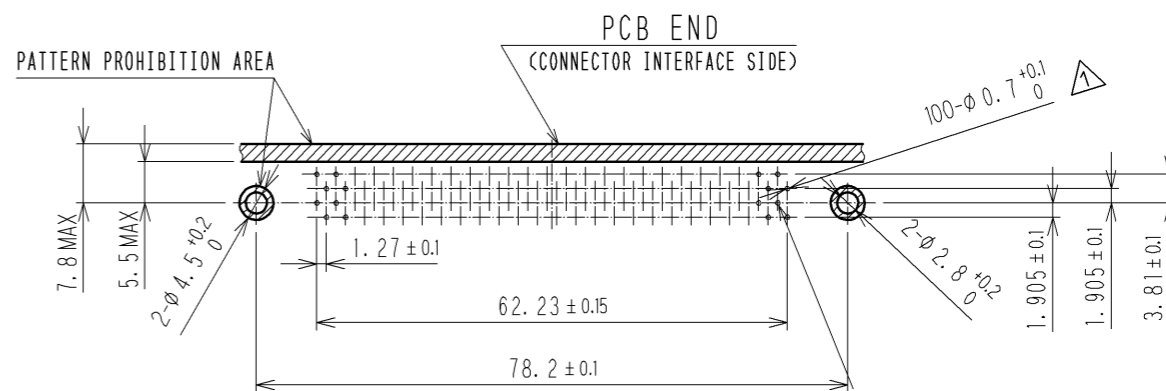


Sep.1.2021 Copyright 2021 HIROSE ELECTRIC CO., LTD. All Rights Reserved.
In case of consideration for using Automotive equipment / device which demand high reliability, kindly contact our sales window correspondents.



RECOMMENDED PC BOARD PATTERN



| 5 | PBT | UL94V-0<BLACK> | 10 | STEEL | NICKEL PLATING |
|-----|-----------------|----------------------------------|-----|------------------------|------------------|
| 4 | PHOSPHOR BRONZE | SELECTIVE GOLD PLATING 0.2μm min | 9 | BRASS | NICKEL PLATING |
| 3 | PHOSPHOR BRONZE | SELECTIVE GOLD PLATING 0.2μm min | 8 | ZINC ALLOY DIE CASTING | NICKEL PLATING |
| 2 | PHOSPHOR BRONZE | SELECTIVE GOLD PLATING 0.2μm min | 7 | STEEL | NICKEL PLATING |
| 1 | PHOSPHOR BRONZE | SELECTIVE GOLD PLATING 0.2μm min | 6 | PPS | UL94V-0<BLACK> |
| NO. | MATERIAL | FINISH . REMARKS | NO. | MATERIAL | FINISH . REMARKS |

| | | | | | | | |
|--------------------------------------|--|--------------------------|------------|------------------------------------------|----------------------|----------------------------|------------------|
| UNITS mm | | SCALE 2 : 1 | COUNT 1 | DESCRIPTION OF REVISIONS DIS-E-002215 | DESIGNED YK. SATO | CHECKED HO. MIWA | DATE 08.03.17 |
| HRS HIROSE ELECTRIC CO., LTD. | | APPROVED : HO. MIWA | 05.01.05 | DRAWING NO. EDC3-027203-02 | | PART NO. DX10A-100S(50) | |
| | | CHECED : YH. ENAMI | 05.01.05 | CODE NO. CL230-0043-1-50 | | 1/1 | |
| | | DESIGNED : TU. TANIGUCHI | 05.01.05 | | | | |
| | | DRAWN : TU. TANIGUCHI | 05.01.05 | | | | |

X-ON Electronics

Largest Supplier of Electrical and Electronic Components

Click to view similar products for [I/O Connectors](#) category:

Click to view products by [Hirose](#) manufacturer:

Other Similar products are found below :

[571763P](#) [58098-0628](#) [72.250.1628.2](#) [72.250.2428.2](#) [74720-0505](#) [76.350.0729.0](#) [76871-1403](#) [FCN-244F080-G/1](#) [FCN-260A9920](#) [PCR-E36PM](#) [PCS-XE26MA+](#) [G38A71314B](#) [1571250010](#) [157-22500-3](#) [MS3471L14-19P L/C](#) [192991-0703](#) [172501-4002](#) [172501-6002](#) [FCN-260C008-A/L0](#) [FCN-260C024-AL0](#) [FCN-261Z008](#) [2000314-1](#) [200331-1](#) [PCR-E36FC+](#) [PCS-E28FS+](#) [PCS-XE26SLFD+](#) [PCS-XE26SLFDT+](#) [G730VID08BDC24](#) [U90B2054081210](#) [38113800006](#) [DP3AR020WQ1R200](#) [Z4.102.0680.0](#) [500-1040](#) [500-1052](#) [500-1054](#) [ZP-4008-66L](#) [0709821002](#) [DX40-20P\(55\)](#) [5554841-1](#) [MS3474W18-8P-LC*](#) [U90B3054061110](#) [U65-E04-4020](#) [ZPF000000000097891](#) [747360449](#) [10099439-003C-TRLF](#) [10137239-0021LF](#) [E9320-001-01](#) [10137239-0011LF](#) [70289-001LF](#) [70.060.1028.0](#)